

BOMAR[®]

Operating Instructions for Band Saw

transverse 610.440 GANC with FC



Before transporting and using the machine, please read the instructions thoroughly!

Serial number:



Service and Information

In case of technical difficulties or spare parts order, please contact your dealer:



Or contact Bomar, spol. s r.o. directly:

BOMAR, spol. s r.o.
Těžební 1236/1
62700 Brno
CZECH REPUBLIC

Telephone: +420 – 533 426 100
Fax: +420 – 533 426 109

e-mail: info@bomar.cz
WWW: <http://www.bomar.cz>

We are available Mondays to Fridays from 7⁰⁰ to 16⁰⁰.

Content

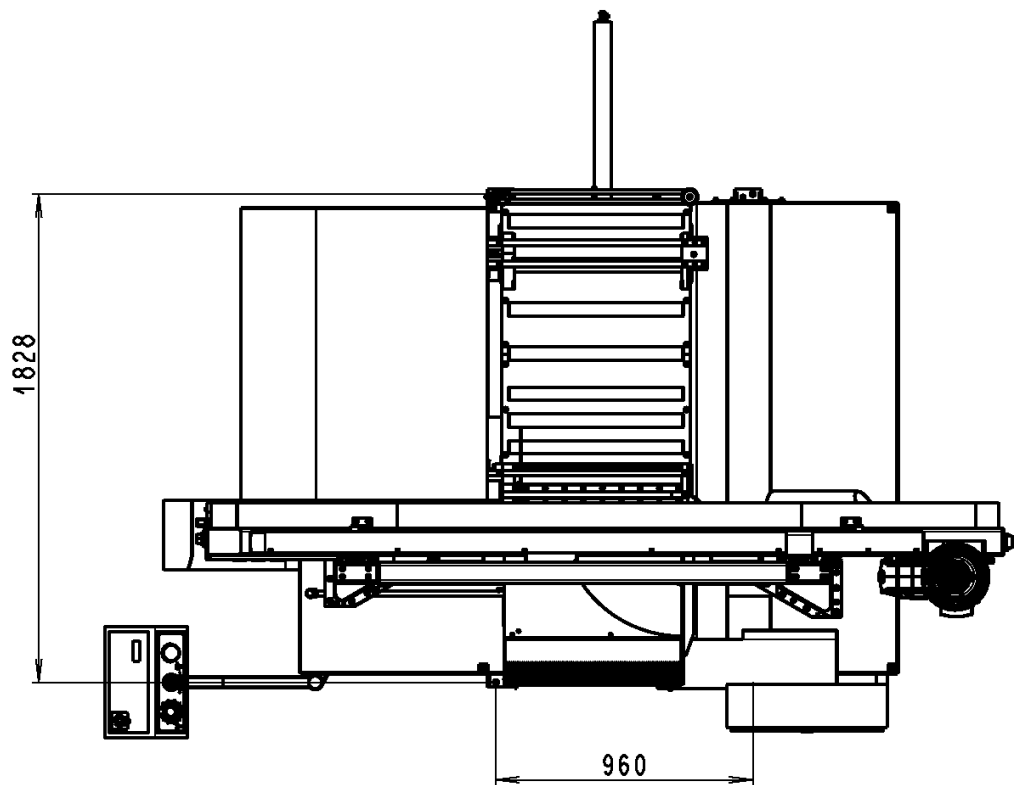
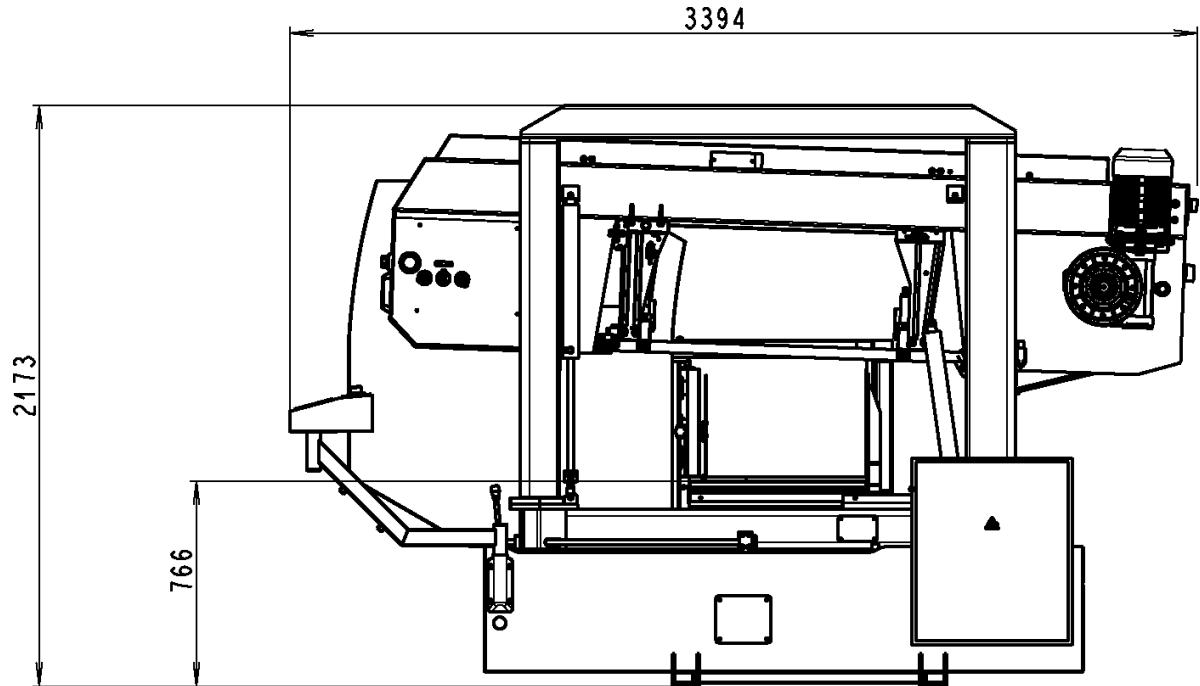
1. INTRODUCTION.....	7
2. BAND SAW USING	7
3. TECHNICAL DATA.....	8
4. SAFETY NOTES.....	9
4.1. GENERAL	9
4.2. PROTECTIVE SUIT AND PERSONAL SAFETY	9
4.3. SAFETY NOTES FOR MACHINE OPERATOR.....	10
4.4. SAFETY NOTES FOR THE SERVICING AND REPAIRS.....	12
4.5. SAFETY MACHINE ACCESSORIES	13
5. SEZNAM BEZPEČNOSTNÍCH ZNAČEK	15
6. TRANSPORTATION AND STOCKING	17
6.1. CONDITIONS FOR TRANSPORTATION AND STOCKING	17
6.2. SAFETY NOTES	17
6.3. TRANSPORT AND STOCKING PREPARATIONS	18
6.4. TRANSPORT AND STOCKING	18
7. ACTIVATION.....	19
7.1. MACHINE WORKING CONDITIONS.....	19
7.2. MACHINE INSTALLING AND LEVELLING.....	19
7.3. ELECTRICAL CONNECTION	20
7.4. FILLING OF THE COOLING SYSTEM.....	21
7.5. CHECK MACHINE FUNCTIONS.....	22
8. CONTROL PANEL – DESCRIPTION.....	23
9. STARTING THE BAND SAW	26
9.1. SWITCH ON THE BAND SAW	26
9.2. FEEDER REFERENCE POSITION	26
10. MATERIAL INSERTION.....	27
10.1. SAFETY NOTES	27
10.2. HANDLING AGENT SELECTION	27
10.3. MATERIAL INSERTION.....	27
10.4. BUNDLE MATERIAL CUTTING	28
11. BAND SAW ADJUSTING.....	29
11.1. SAFETY NOTES	29
11.2. ANGULAR CUT SETTING	29
11.3. OPTIMAL ADJUSTING OF THE GUIDE CUBES SPAN	30
11.4. CUTTING SPEED ADJUSTMENT	30
11.5. SWARF CONVEYOR OPERATION	30
11.6. PRESSURE ADJUSTING TO THE CUT	31
12. SEMI-AUTOMATIC CYCLE.....	32
12.1. SAFETY NOTES	32
12.2. SEMI-AUTOMATIC MODE.....	32

12.3.	CYCLE BREAKING	33
12.4.	SPEED ADJUSTING OF THE ARM LOWERING	33
13.	AUTOMATIC MODE	34
13.1.	SAFETY NOTES	34
13.2.	CYCLE PRESET	34
13.2.1.	<i>Preset</i>	34
13.2.2.	<i>Program storing</i>	35
13.2.3.	<i>Program selection</i>	35
13.2.4.	<i>Editing</i>	36
13.2.5.	<i>New Preselection inserting</i>	37
13.2.6.	<i>Clearing memory</i>	38
13.3.	AUTOMATIC CYCLE WITH MATERIAL CUTTING	39
13.4.	AUTOMATIC CYCLE WITHOUT MATERIAL CUTTING	39
13.5.	CYCLE BREAKING	40
13.6.	SETTING THE SPEED OF THE SAW ARM LOWERING	40
14.	SERVICE MENU	41
14.1.	ENTRANCE TO SERVICE MENU	41
14.2.	VICE PARAMETERS	41
14.3.	COOLING PARAMETERS	41
14.3.1.	<i>Cooling type</i>	41
14.3.2.	<i>Cooling mode</i>	42
14.4.	CUTTING PARAMETERS	42
14.5.	SWARF CONVEYOR OPERATION	43
14.6.	MACHINE PARAMETERS	43
14.7.	LANGUAGE	44
14.8.	LENGTH UNITS SELECTION	44
14.9.	REGULATOR	44
14.10.	LENGTH CORRECT	44
14.11.	SERVICE MENU CLOSING	45
15.	BLANKS REMOVING FROM THE BAND SAW	46
15.1.	SAFETY NOTES	46
15.2.	HANDLING AGENT SELECTION	46
15.3.	BLANKS REMOVING	46
16.	SELECTION AND REPLACEMENT OF THE SAW BAND	47
16.1.	SAFETY NOTES	47
16.2.	SAW BAND SIZE	47
16.3.	SELECTION OF THE SAW BAND TOOTH SYSTEM:	47
16.4.	SAW BAND RUNNING - IN	49
16.5.	SAW BAND DISMANTLING	50
16.6.	SAW BAND INSTALLATION	51
16.7.	SAW BAND STRETCHING AND INSPECTION	52
16.7.1.	<i>Saw band stretching</i>	52
16.7.2.	<i>Saw band inspection</i>	52
17.	COOLING AGENTS AND CHIPS DISPOSAL	53
17.1.	SAFETY NOTES	53
17.2.	COOLING LIQUID PREPARATION	53
17.3.	COOLANT DEVICE INSPECTION	54
17.4.	CHIPS DISPOSAL	55
18.	GREASES AND OILS	56

18.1.	GEARBOX OILS	56
18.2.	HYDRAULIC OILS	57
18.3.	LUBRICANT GREASES	57
19.	SERVICE	58
19.1.	MACHINE CLEANING	58
19.2.	LUBRICATION	58
19.3.	COOLING LIQUID INSPECTION	58
19.4.	HYDRAULIC OIL LEVEL CHECK	59
20.	ADJUSTMENT	60
20.1.	GUIDING CUBES ADJUSTMENT	60
20.2.	HARD METAL GUIDES ADJUSTMENT	60
20.3.	SAW BAND RUN ADJUSTMENT ON STRETCHING WHEEL	61
20.4.	BRUSH ADJUSTMENT	62
20.5.	ADJUSTING OF THE LIMIT SWITCH OF THE SAW BAND STRETCHING	62
20.6.	SAW FRAME LOWER POSITION STOP ADJUSTMENT	63
20.7.	LIMIT SWITCH ADJUSTMENT OF THE SAW FRAME LOWER POSITION	63
20.8.	ADJUSTMENT OF THE SECURING CUBE OF THE TURNING LEVER	64
20.9.	PRESSURE SWITCH ADJUSTMENT	65
20.10.	PRESSURE ADJUSTMENT OF THE HYDRAULIC SYSTEM	66
20.11.	ADJUSTMENT OF THE CUTTING PRESSURE REGULATION	67
20.12.	ADJUSTMENT OF A THROTTLE VALVE	68
21.	WORN PIECES REPLACEMENT	69
21.1.	HARD METAL GUIDES REPLACEMENT	69
21.2.	PUSHING BEARING REPLACEMENT	71
21.3.	FIXED BEARING REPLACEMENT OF THE SAW BAND GUIDING	73
21.4.	SAW BAND GUIDING PULLEYS REPLACEMENT	74
21.5.	ROUND BRUSH REPLACEMENT	76
21.6.	STRETCHING WHEEL REPLACEMENT	77
21.7.	DRIVING WHEEL REPLACEMENT	79
21.8.	COOLING PUMP REPLACEMENT	80
22.	ROZMĚROVÉ SCHÉMA / AUFSTELLZEICHNUNG / INSTALLATION DIAGRAM	82
23.	ELEKTRICKÁ SCHÉMATA / ELEKTROSCHEMAS / WIRING DIAGRAMS	83
24.	KUSOVNÍK ELEKTROSOUČÁSTÍ / STÜCKLISTE DER ELEKTROTEILEN / PIECE LIST OF ELEKTOPARTS	99
25.	HYDRAULICKÁ SCHÉMATA / HYDRAULIKSCHEMA / HYDRAULIC DIAGRAM	100
26.	VÝKRESY SESTAV PRO OBJEDNÁNÍ NÁHRADNÍCH DÍLŮ / ZEICHNUNGEN FÜR BESTELLUNG DER ERSATZTEILE / DRAWING ASSEMBLIES FOR SPARE PARTS ORDER	103
26.1.	HLAVNÍ SVĚRÁK / HAUPTSCHRAUBSTOCK / MAIN VICE	104
26.2.	UPÍNACÍ VÁLEC / SPANNZYLINDER / CLAMPING CYLINDER - 251.102	108
26.3.	PODÁVACÍ SVĚRÁK / VORSCHUBSCHRAUBSTOCK / FEEDING VICE	110
26.4.	VÁLEC PODAVAČE / VORSCHUBZYLINDER / FEEDER CYLINDER - 251.075	114
26.5.	VÁLEČKOVÁ TRAŤ / ROLLENBAHN / ROLLER CONVEYOR	116
26.6.	OTOČNÁ KONZOLA / GEHRUNGSKONSOLE / TURNING CONSOLE	118
26.7.	PILOVÉ RAMENO / SÄGERAHMEN / SAW ARM	120
26.8.	PŘEVODOVKA / GETRIEBE / GEARBOX	122

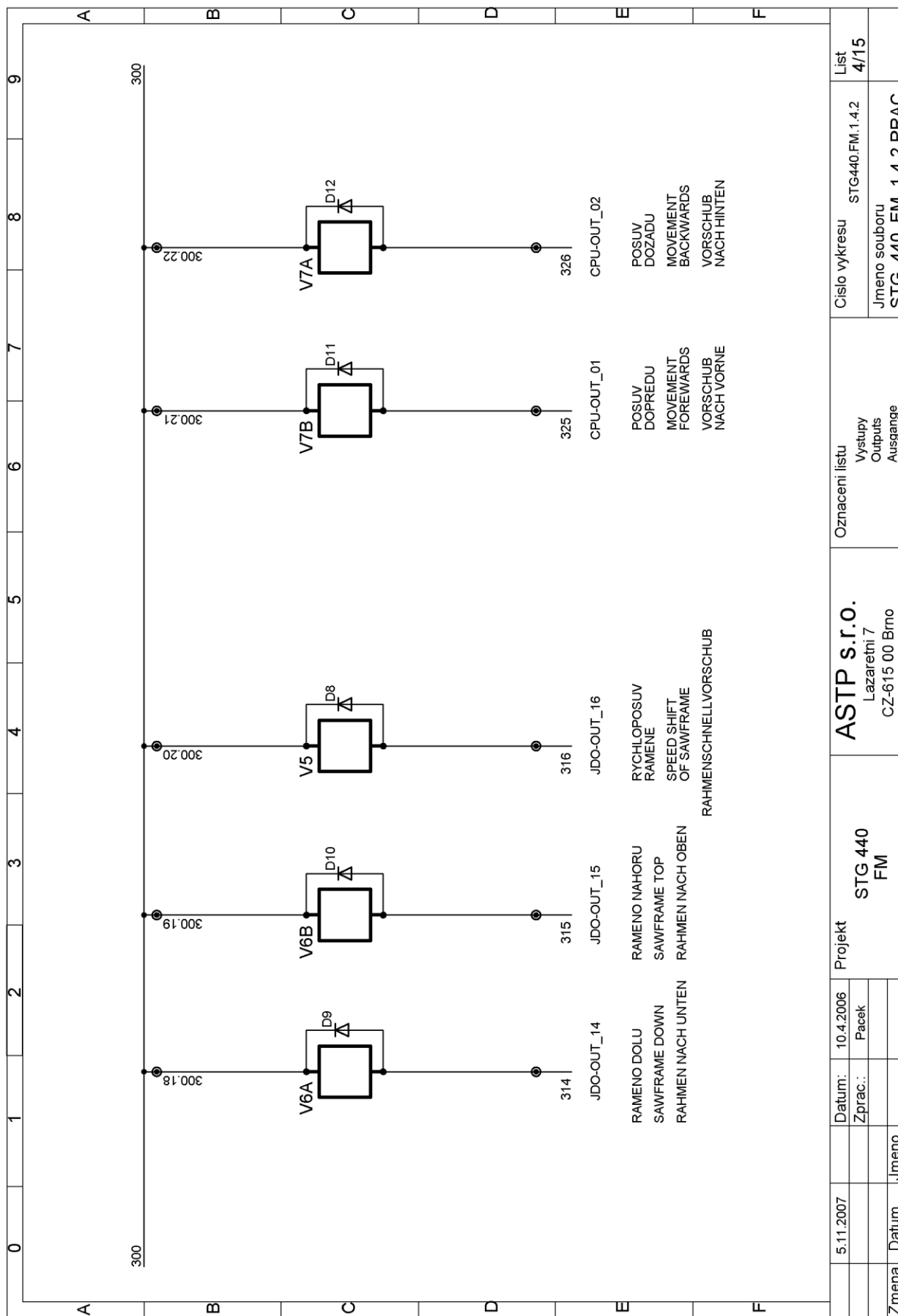
26.9.	ZVEDACÍ VÁLEC / HUBZYLINDER / LIFTING CYLINDER	124
26.10.	NAPÍNÁNÍ PILOVÉHO PÁSU / SÄGEBANDSPANNUNG / SAW BAND STRETCHING	126
26.11.	VEDENÍ PILOVÉHO PÁSU / SÄGEBANDFÜHRUNG / SAW BAND GUIDING.....	128
26.12.	PRAVÁ VODÍCÍ KOSTKA / RECHTER FÜHRUNGSKLOTZ / RIGHT GUIDING CUBE	130
26.13.	LEVÁ VODÍCÍ KOSTKA / LINKER FÜHRUNGSKLOTZ / LEFT GUIDING CUBE.....	132
26.14.	KARTÁČEK / SPÄNEBÜRSTE / BRUSH.....	134
27.	UMÍSTĚNÍ BEZPEČNOSTNÍCH ZNAČEK / VERTEILUNG DER SICHERHEITSSYMBOLS / POSITION OF SAFETY SYMBOLS	136
27.1.	PILA / BANDSÄGE / BAND SAW 1	136
28.	TROUBLESHOOTING TABLE	140
28.1.	MECHANICAL PROBLEMS.....	140
28.2.	ELECTRIC AND HYDRAULIC PROBLEMS	142
29.	SPECIAL ACCESSORY.....	144
29.1.	BUNDLING SYSTEM	144
29.2.	VICE PRESSURE REGULATION.....	144
29.3.	MICRONISER.....	144
29.4.	TENZOMAT	145
30.	ROLLER CONVEYORS AND ACCESSORIES	146
30.1.	ROLLER CONVEYORS	146
30.2.	ROLLER CONVEYORS PREPARED FOR POWERING	146
30.3.	POWER AND CONTROL UNITS FOR POWERED CONVEYORS	147
30.4.	LENGTH STOPS	148
30.5.	CONNECTION PARTS	149
30.6.	CONNECTION SETS	149
30.7.	ACCESSORIES OF ROLLER CONVEYORS	149
30.8.	COVERS.....	150
30.9.	CONNECTION SCHEMA OF ROLLER CONVEYOR WITH BAND SAW	151
	DECLARATION OF CONFORMITY	154

22. Rozměrové schéma / Aufstellzeichnung / Installation diagram

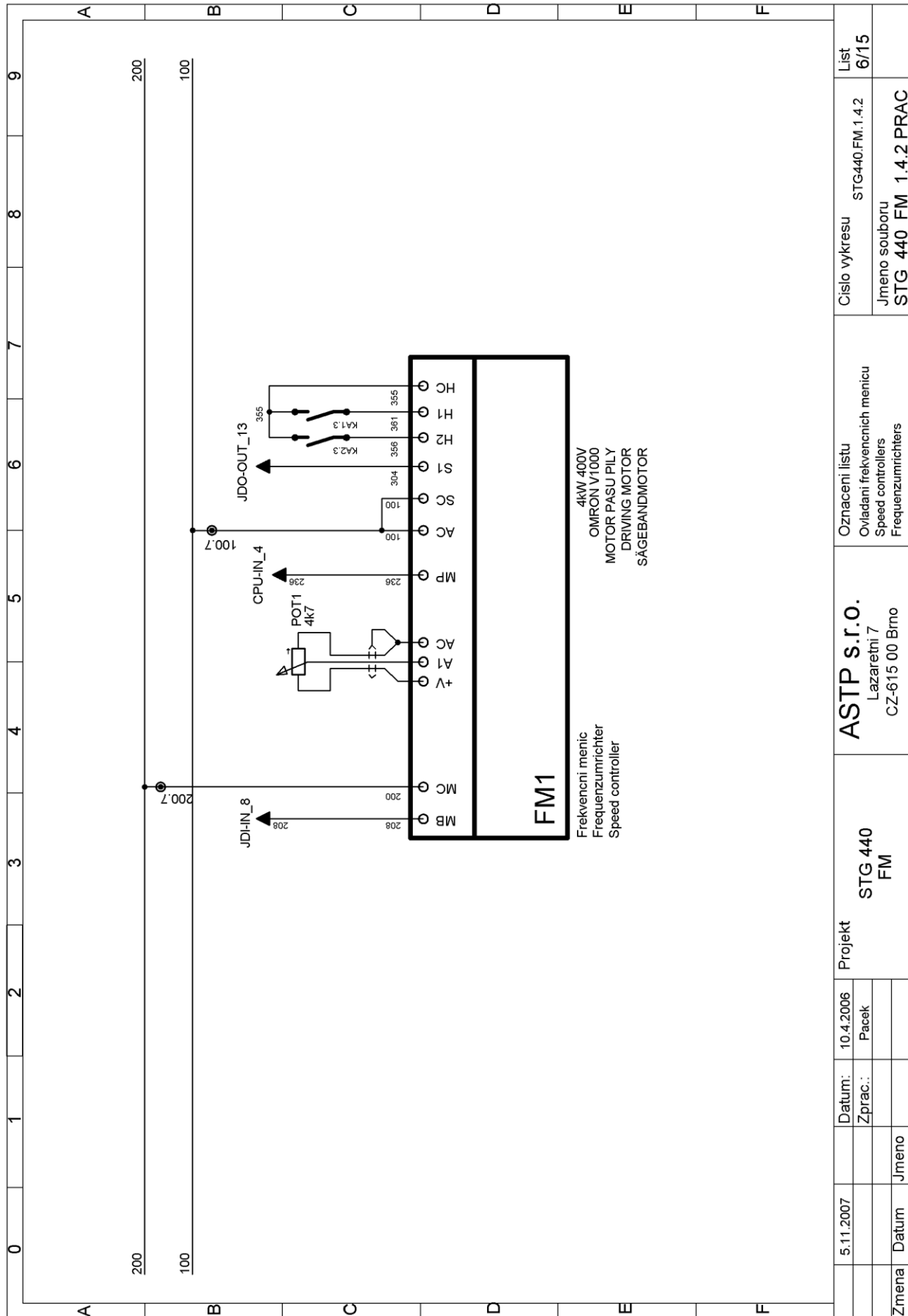


Rozměrové schéma 1 / Aufstellzeichnung 1 / Installation diagram 1

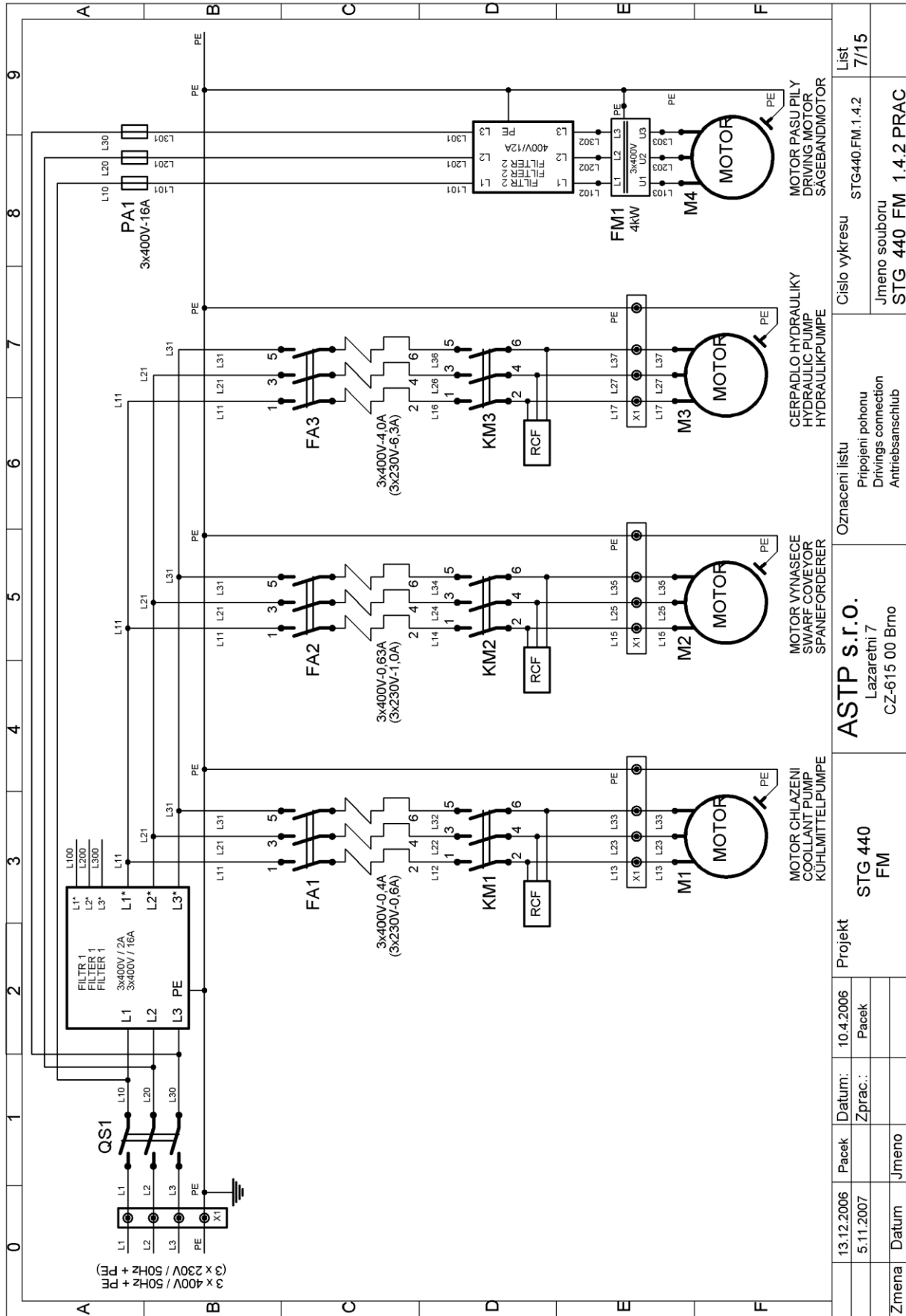
Elektrické schéma / Elektroschema / Wiring diagram 3



Elektrické schéma / Elektroschema / Wiring diagram 5

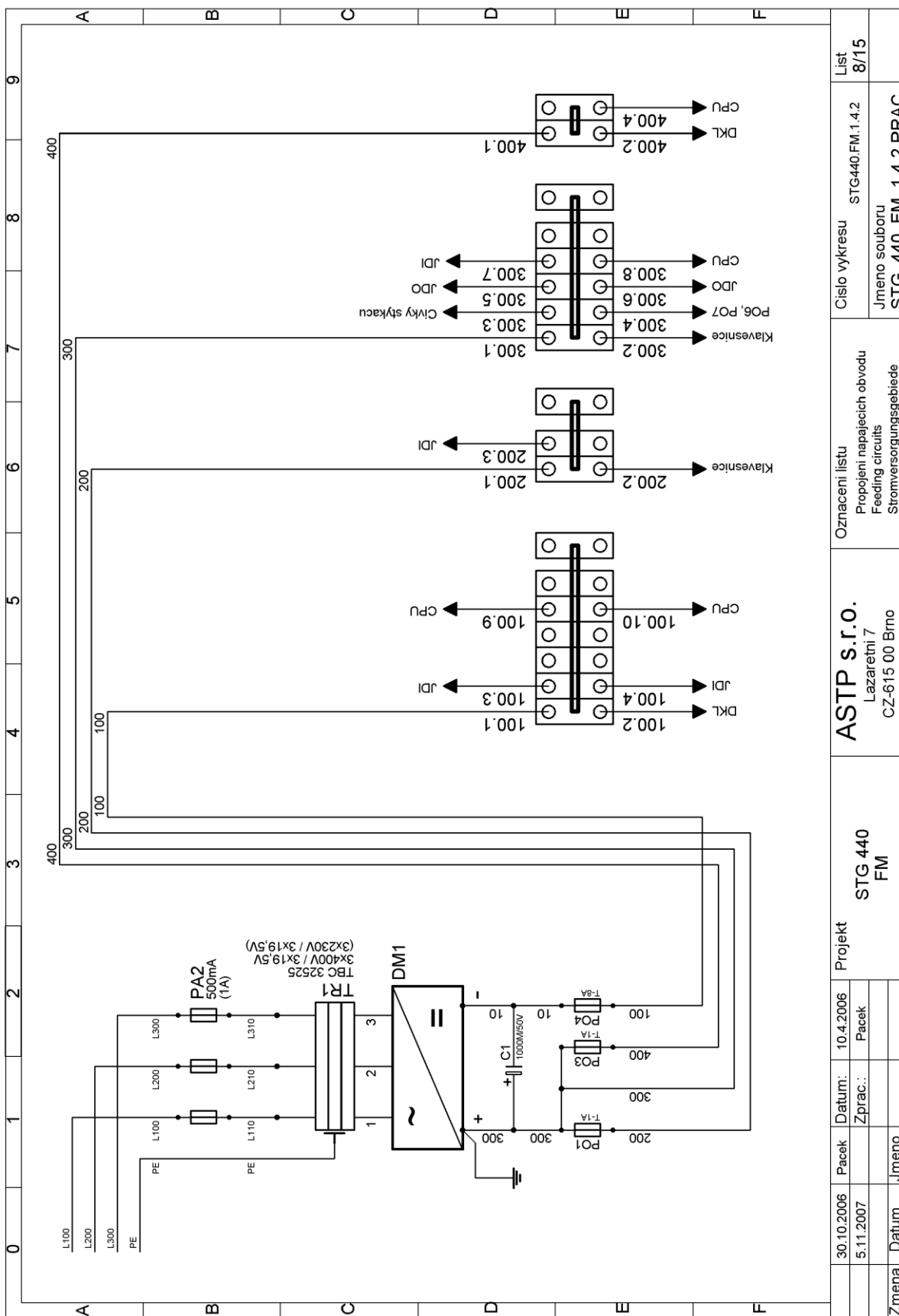


Elektrické schéma / Elektroschema / Wiring diagram 6

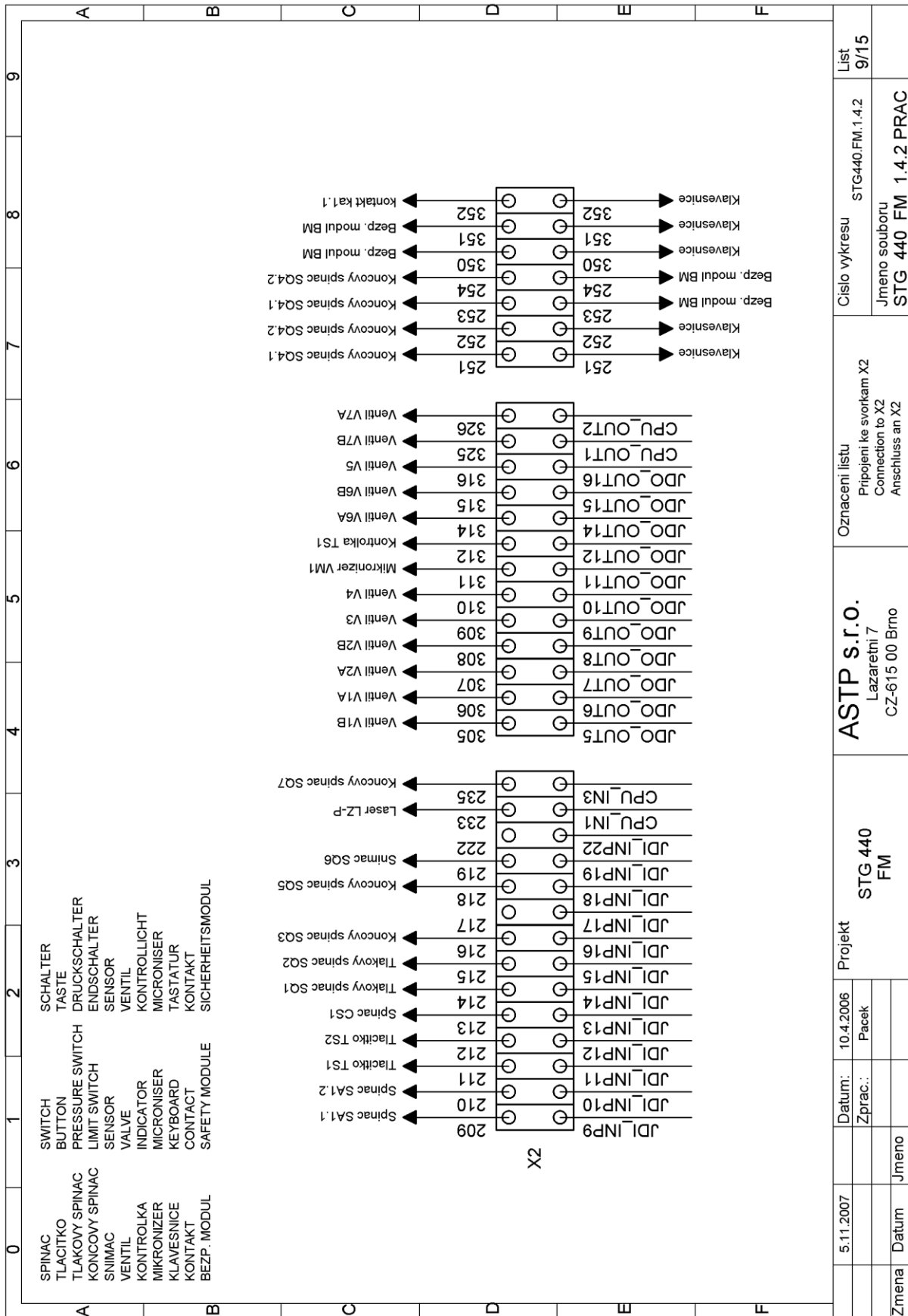


13.12.2006	Pacek	Datum:	10.4.2006	Projekt	STG 440 FM	ASTP s.r.o. Lazaretní 7 CZ-615 00 Brno	Oznaceni listu Pripojeni pohonu Drivings connection Antriebsanschluss	Cislo vykresu STG440_FM_1.4.2	List 7/15
5.11.2007	Pacek	Zprac.:			Jmeno souboru STG_440_FM_1.4.2 PRAC				
Zmena	Datum	Jmeno							

Elektrické schéma / Elektroschema / Wiring diagram 7

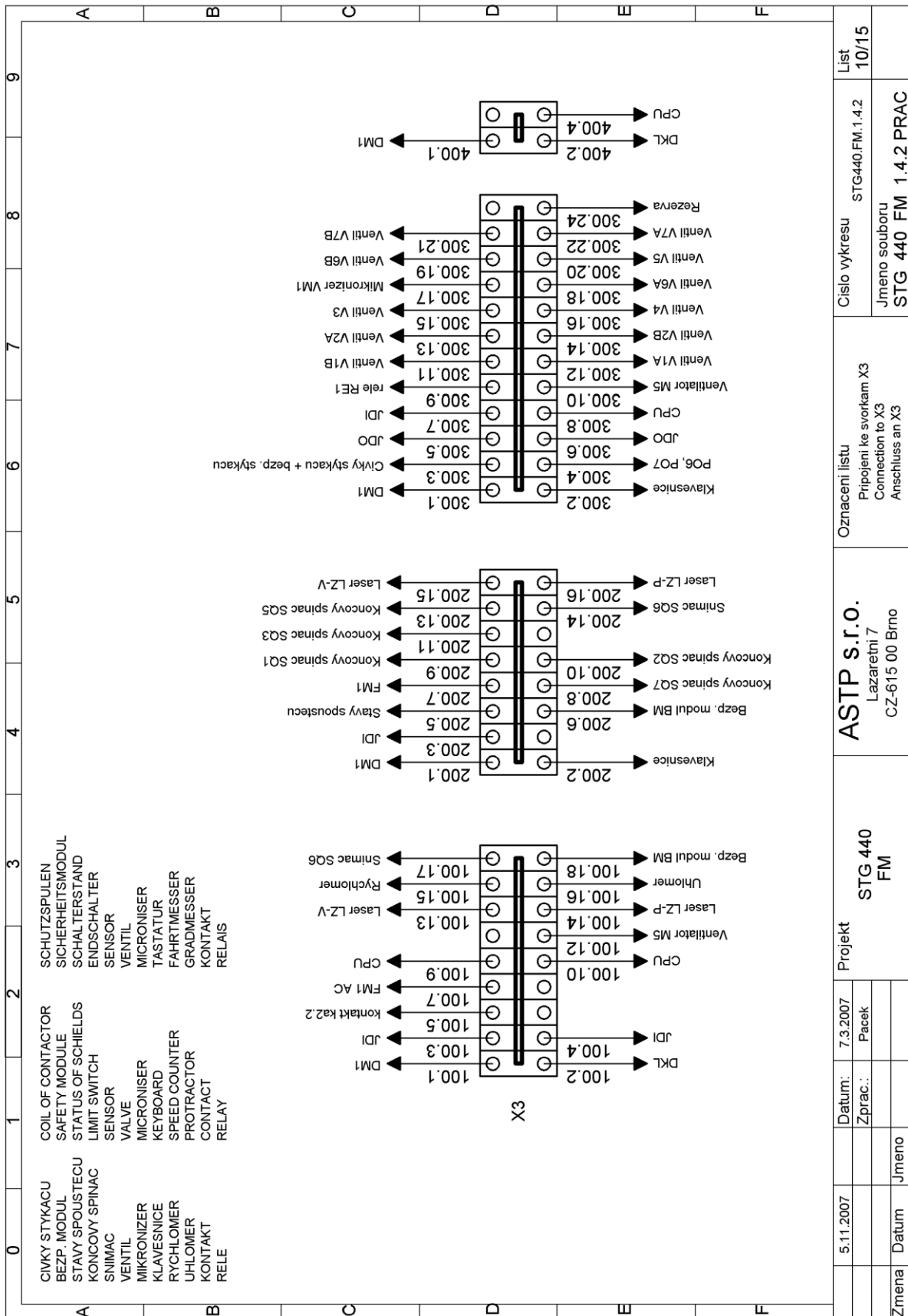


Elektrické schéma / Elektroschema / Wiring diagram 8

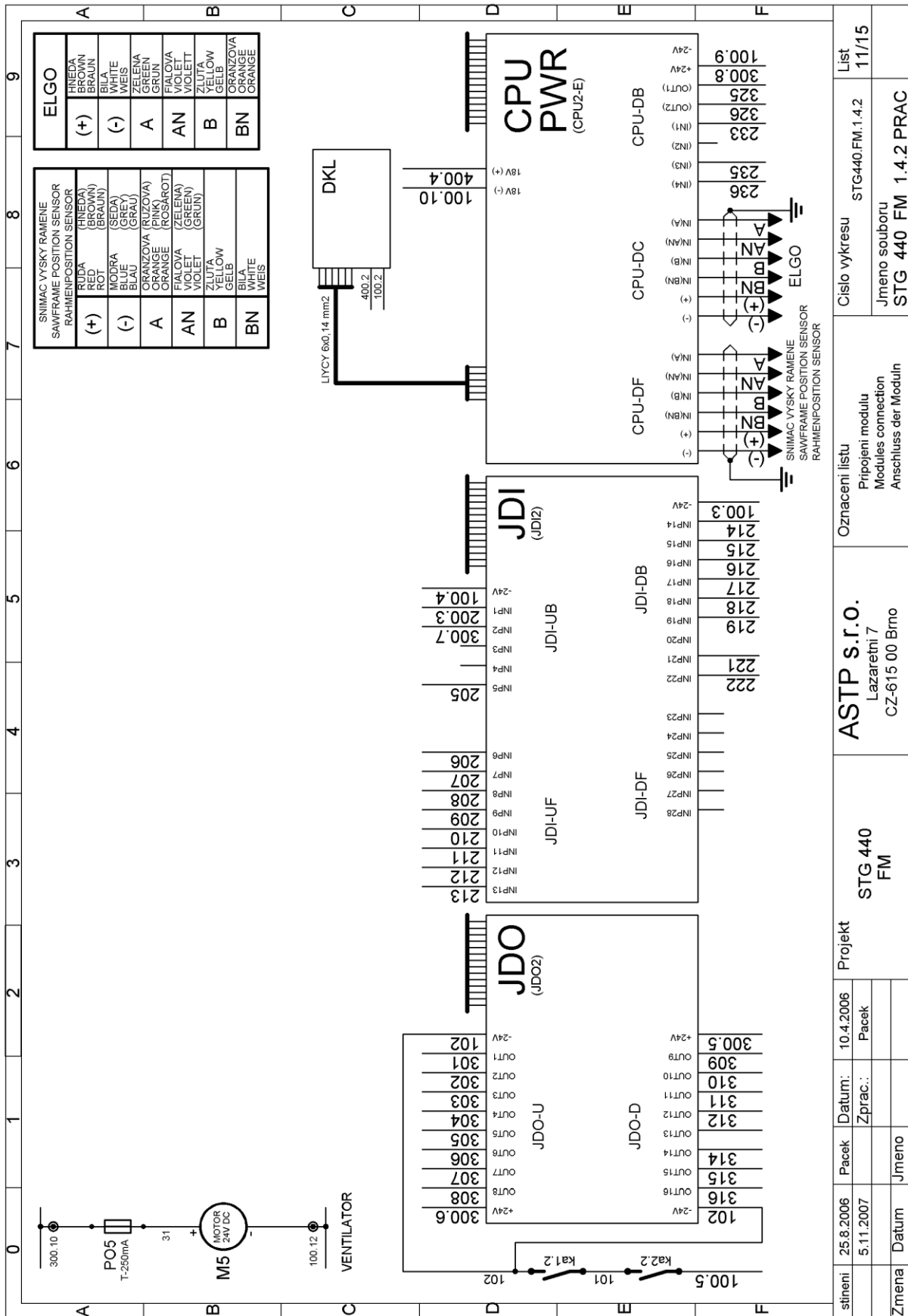


5.11.2007	Datum	Jmeno
10.4.2006	Datum:	
Facek	Zprac.:	
Projekt		
STG 440 FM		
ASTP s.r.o. Lazaretni 7 CZ-615 00 Brno		
Oznaceni listu Pripojeni ke svorkam X2 Connection to X2 Anschluss an X2		
Cislo vykresu STG440.FM.1.4.2		
Jmeno souboru STG_440_FM_1.4.2 PRAC		
List 9/15		

Elektrické schéma / Elektroschema / Wiring diagram 9

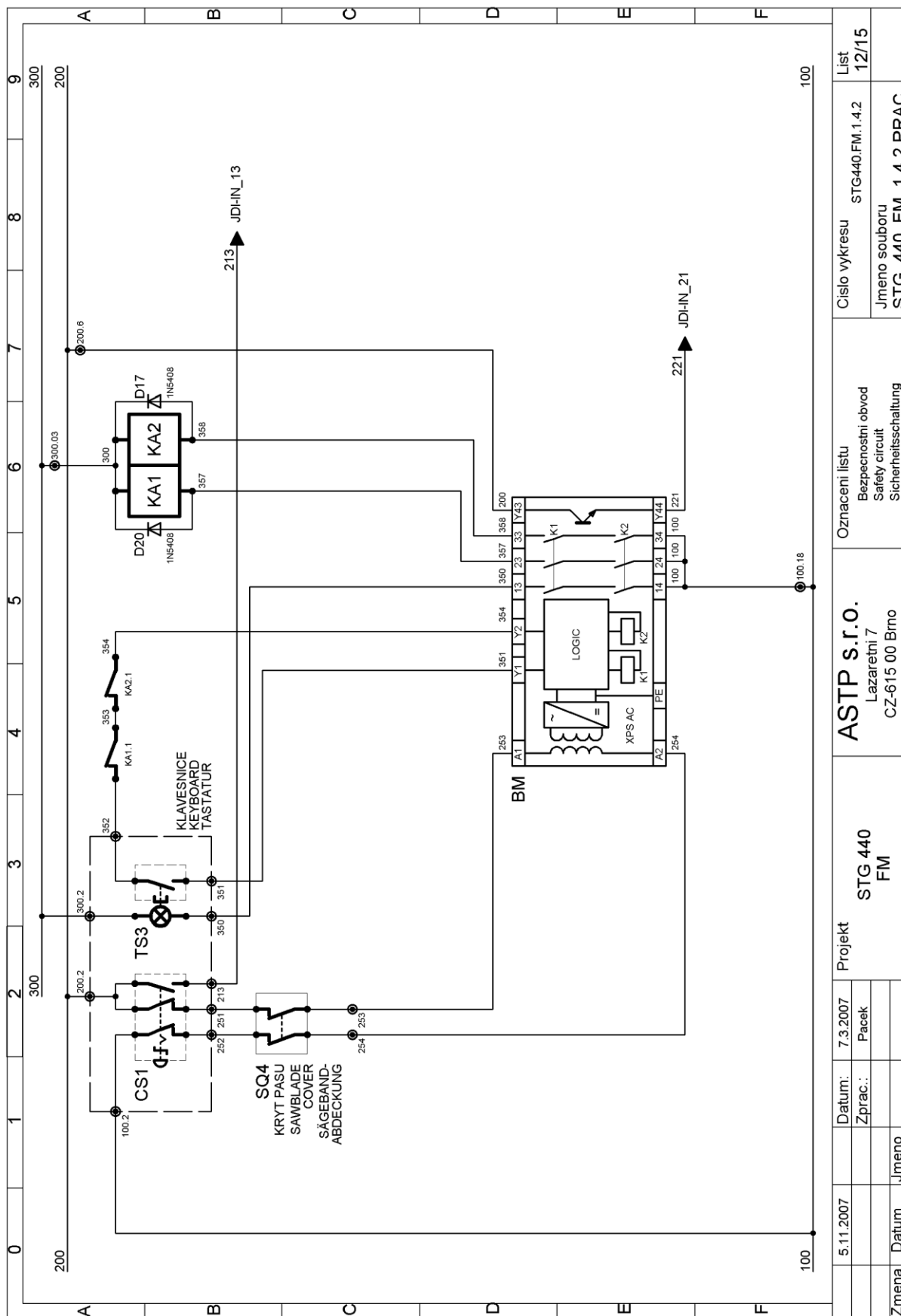


Elektrické schéma / Elektroschema / Wiring diagram 10



stineni	25.8.2006	Pacek	Datum:	10.4.2006	Projekt	ASTP s.r.o. Lazaretni 7 CZ-615 00 Brno		Oznaceni listu	Cislo vykresu	List
Zmena	5.11.2007		Zprac.:	Pacek	STG 440 FM	Pripojeni modulu Modules connection Anschluss der Modulin		STG440.FM.1.4.2	STG_440_FM_1.4.2 PRAC	11/15
						Jmeno souboru				

Elektrické schéma / Elektroschema / Wiring diagram 11



5.11.2007	Datum:	7.3.2007	Projekt	ASTP s.r.o. Lazaretní 7 CZ-615 00 Brno	Oznaceni listu Bezpečnostní obvod Safety circuit Sicherheitsschaltung	Cislo vykresu STG440.FM.1.4.2	List 12/15
	Zprac.:	Facek				Jmeno souboru STG_440_FM_1.4.2 PRAC	
Zmena	Datum	Jmeno					

Elektrické schéma / Elektroschema / Wiring diagram 12

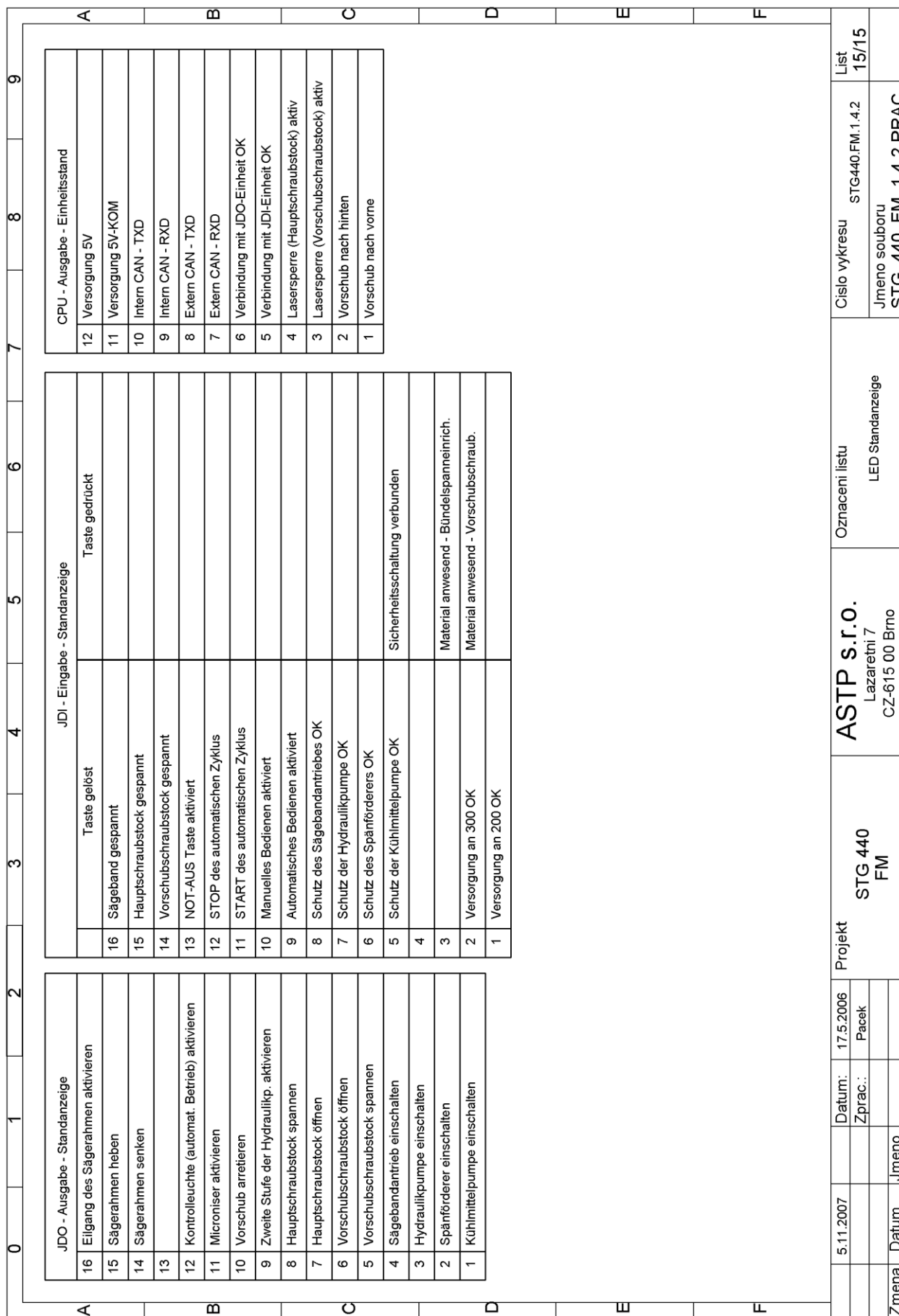
JDO - Signalizace stavu vystupu		JDI - Signalizace stavu vstupu		CPU - Signalizace stavu jednotky	
16	Aktivovat rychloposuv ramene	16	tlacitko uvolнено	12	Napajeni 5V
15	Aktivovat rameno nahoru	15	Pas pily je napnuty	11	Napajeni 5V-KOM
14	Aktivovat rameno dolu	15	Hlavni sverak upnut	10	Interni CAN - TXD
13		14	Podavaci sverak upnut	9	Interni CAN - RXD
12	Aktivovat kontrolku automat. rezimu	13	Total stop aktivovan	8	Externi CAN - TXD
11	Aktivovat mikronizer	12	Stop automatickeho rezimu	7	Externi CAN - RXD
10	Aretovat podavac	11	Start automatickeho rezimu	6	Spojeni s jednotkou JDO OK
9	Aktivovat druhy stupen cerpadla	10	Aktivovano rucni ovladani	5	Spojeni s jednotkou JDI OK
8	Uprnout hlavni sverak	9	Aktivovano automaticke ovladani	4	Laserova zavora (hlavni sverak) aktivni
7	Otevrit hlavni sverak	8	Ochrana motoru pasu OK	3	Laserova zavora (podavaci sverak) aktivni
6	Otevrit podavaci sverak	7	Ochrana cerpadla hydrauliky OK	2	Podavac vzad
5	Uprnout podavaci sverak	6	Ochrana motoru vynasece OK	1	Podavac vpred
4	Zapnout motor pasu	5	Ochrana motoru chlazení OK		
3	Zapnout cerpadlo hydrauliky	4	Bezpecnostni obvod uzavren		
2	Zapnout motor vynasece	3	Material pritomen - pritlak		
1	Zapnout motor chlazení	2	Napajeni na 300 OK		
		1	Napajeni na 200 OK		

16	Pas pily je napnuty	tlacitko stisknuto
15	Hlavni sverak upnut	
14	Podavaci sverak upnut	
13	Total stop aktivovan	
12	Stop automatickeho rezimu	
11	Start automatickeho rezimu	
10	Aktivovano rucni ovladani	
9	Aktivovano automaticke ovladani	
8	Ochrana motoru pasu OK	
7	Ochrana cerpadla hydrauliky OK	
6	Ochrana motoru vynasece OK	
5	Ochrana motoru chlazení OK	
4	Bezpecnostni obvod uzavren	
3	Material pritomen - pritlak	
2	Napajeni na 300 OK	Material pritomen - podavaci sverak
1	Napajeni na 200 OK	

5.11.2007	Datum:	17.5.2006	Datum:	Projekt	STG 440 FM	ASTP s.r.o. Lazaretni 7 CZ-615 00 Brno	Oznaceni listu	Signalizace LED diod	Cislo vykresu	STG440.FM.1.4.2	List	13/15
	Zprac.:	Pacek							Jmeno souboru	STG_440_FM_1.4.2.PRAC		
Zmena	Datum	Jmeno										

Elektrické schéma / Elektroschema / Wiring diagram 13

	0	1	2	3	4	5	6	7	8	9																																																			
	<table border="1"> <thead> <tr> <th colspan="2">JDO - Output State Signalization</th> </tr> </thead> <tbody> <tr><td>16</td><td>Activ. high speed move of the arm</td></tr> <tr><td>15</td><td>Put the arm up</td></tr> <tr><td>14</td><td>Put the arm down</td></tr> <tr><td>13</td><td></td></tr> <tr><td>12</td><td>Switch on the automatic cycle indicator</td></tr> <tr><td>11</td><td>Activate the microniser</td></tr> <tr><td>10</td><td>Lock the feeder</td></tr> <tr><td>9</td><td>Shift the pump into second stage</td></tr> <tr><td>8</td><td>Close the main gripper</td></tr> <tr><td>7</td><td>Open the main gripper</td></tr> <tr><td>6</td><td>Open the feeding gripper</td></tr> <tr><td>5</td><td>Close the feeding gripper</td></tr> <tr><td>4</td><td>Turn on the band motor</td></tr> <tr><td>3</td><td>Turn on the hydraulic pump</td></tr> <tr><td>2</td><td>Turn on the swarf-removal motor</td></tr> <tr><td>1</td><td>Turn on the cooling motor</td></tr> </tbody> </table>										JDO - Output State Signalization		16	Activ. high speed move of the arm	15	Put the arm up	14	Put the arm down	13		12	Switch on the automatic cycle indicator	11	Activate the microniser	10	Lock the feeder	9	Shift the pump into second stage	8	Close the main gripper	7	Open the main gripper	6	Open the feeding gripper	5	Close the feeding gripper	4	Turn on the band motor	3	Turn on the hydraulic pump	2	Turn on the swarf-removal motor	1	Turn on the cooling motor																	
JDO - Output State Signalization																																																													
16	Activ. high speed move of the arm																																																												
15	Put the arm up																																																												
14	Put the arm down																																																												
13																																																													
12	Switch on the automatic cycle indicator																																																												
11	Activate the microniser																																																												
10	Lock the feeder																																																												
9	Shift the pump into second stage																																																												
8	Close the main gripper																																																												
7	Open the main gripper																																																												
6	Open the feeding gripper																																																												
5	Close the feeding gripper																																																												
4	Turn on the band motor																																																												
3	Turn on the hydraulic pump																																																												
2	Turn on the swarf-removal motor																																																												
1	Turn on the cooling motor																																																												
	<table border="1"> <thead> <tr> <th colspan="2">JDI - Input State Signalization</th> </tr> </thead> <tbody> <tr><td>16</td><td>button released</td><td>button pushed</td></tr> <tr><td>15</td><td>The sawband is tight</td><td></td></tr> <tr><td>14</td><td>Main gripper is closed</td><td></td></tr> <tr><td>13</td><td>Feeding gripper is closed</td><td></td></tr> <tr><td>12</td><td>Total stop activated</td><td></td></tr> <tr><td>11</td><td>Automatic mode stopped</td><td></td></tr> <tr><td>10</td><td>Automatic mode started</td><td></td></tr> <tr><td>9</td><td>Manual control activated</td><td></td></tr> <tr><td>8</td><td>Automatic control activated</td><td></td></tr> <tr><td>7</td><td>Band motor protection is OK</td><td></td></tr> <tr><td>6</td><td>Hydraulic pump protection is OK</td><td></td></tr> <tr><td>5</td><td>Swarf-removal motor protection is OK</td><td></td></tr> <tr><td>4</td><td>Cooling motor protection is OK</td><td>Security circuit is ON</td></tr> <tr><td>3</td><td></td><td>Material is present - thrust</td></tr> <tr><td>2</td><td>Voltage on 300 OK</td><td>Material is present - feeding gripper</td></tr> <tr><td>1</td><td>Voltage on 200 OK</td><td></td></tr> </tbody> </table>										JDI - Input State Signalization		16	button released	button pushed	15	The sawband is tight		14	Main gripper is closed		13	Feeding gripper is closed		12	Total stop activated		11	Automatic mode stopped		10	Automatic mode started		9	Manual control activated		8	Automatic control activated		7	Band motor protection is OK		6	Hydraulic pump protection is OK		5	Swarf-removal motor protection is OK		4	Cooling motor protection is OK	Security circuit is ON	3		Material is present - thrust	2	Voltage on 300 OK	Material is present - feeding gripper	1	Voltage on 200 OK		
JDI - Input State Signalization																																																													
16	button released	button pushed																																																											
15	The sawband is tight																																																												
14	Main gripper is closed																																																												
13	Feeding gripper is closed																																																												
12	Total stop activated																																																												
11	Automatic mode stopped																																																												
10	Automatic mode started																																																												
9	Manual control activated																																																												
8	Automatic control activated																																																												
7	Band motor protection is OK																																																												
6	Hydraulic pump protection is OK																																																												
5	Swarf-removal motor protection is OK																																																												
4	Cooling motor protection is OK	Security circuit is ON																																																											
3		Material is present - thrust																																																											
2	Voltage on 300 OK	Material is present - feeding gripper																																																											
1	Voltage on 200 OK																																																												
	<table border="1"> <thead> <tr> <th colspan="2">CPU - Unit State Signalization</th> </tr> </thead> <tbody> <tr><td>12</td><td>Voltage 5V</td></tr> <tr><td>11</td><td>Voltage 5V-KOM</td></tr> <tr><td>10</td><td>Internal CAN - TXD</td></tr> <tr><td>9</td><td>Internal CAN - RXD</td></tr> <tr><td>8</td><td>External CAN - TXD</td></tr> <tr><td>7</td><td>External CAN - RXD</td></tr> <tr><td>6</td><td>Connection with JDO unit OK</td></tr> <tr><td>5</td><td>Connection with JDI unit OK</td></tr> <tr><td>4</td><td>Laser bar (main gripper) is active</td></tr> <tr><td>3</td><td>Laser bar (feeding gripper) is active</td></tr> <tr><td>2</td><td>Feeder to the back</td></tr> <tr><td>1</td><td>Feeder to the front</td></tr> </tbody> </table>										CPU - Unit State Signalization		12	Voltage 5V	11	Voltage 5V-KOM	10	Internal CAN - TXD	9	Internal CAN - RXD	8	External CAN - TXD	7	External CAN - RXD	6	Connection with JDO unit OK	5	Connection with JDI unit OK	4	Laser bar (main gripper) is active	3	Laser bar (feeding gripper) is active	2	Feeder to the back	1	Feeder to the front																									
CPU - Unit State Signalization																																																													
12	Voltage 5V																																																												
11	Voltage 5V-KOM																																																												
10	Internal CAN - TXD																																																												
9	Internal CAN - RXD																																																												
8	External CAN - TXD																																																												
7	External CAN - RXD																																																												
6	Connection with JDO unit OK																																																												
5	Connection with JDI unit OK																																																												
4	Laser bar (main gripper) is active																																																												
3	Laser bar (feeding gripper) is active																																																												
2	Feeder to the back																																																												
1	Feeder to the front																																																												
	<table border="1"> <tr> <td>5.11.2007</td> <td>Datum:</td> <td>17.5.2006</td> <td>Projekt</td> <td>STG 440 FM</td> <td>ASTP s.r.o. Lazaretní 7 CZ-615 00 Brno</td> <td>Oznaceni listu signalization</td> <td>Cislo vykresu STG440.FM.1.4.2</td> <td>List 14/15</td> </tr> <tr> <td>Zmena</td> <td>Datum</td> <td>Jmeno</td> <td></td> <td></td> <td></td> <td></td> <td>Jmeno souboru STG_440_FM_1.4.2 PRAC</td> <td></td> </tr> </table>										5.11.2007	Datum:	17.5.2006	Projekt	STG 440 FM	ASTP s.r.o. Lazaretní 7 CZ-615 00 Brno	Oznaceni listu signalization	Cislo vykresu STG440.FM.1.4.2	List 14/15	Zmena	Datum	Jmeno					Jmeno souboru STG_440_FM_1.4.2 PRAC																																		
5.11.2007	Datum:	17.5.2006	Projekt	STG 440 FM	ASTP s.r.o. Lazaretní 7 CZ-615 00 Brno	Oznaceni listu signalization	Cislo vykresu STG440.FM.1.4.2	List 14/15																																																					
Zmena	Datum	Jmeno					Jmeno souboru STG_440_FM_1.4.2 PRAC																																																						



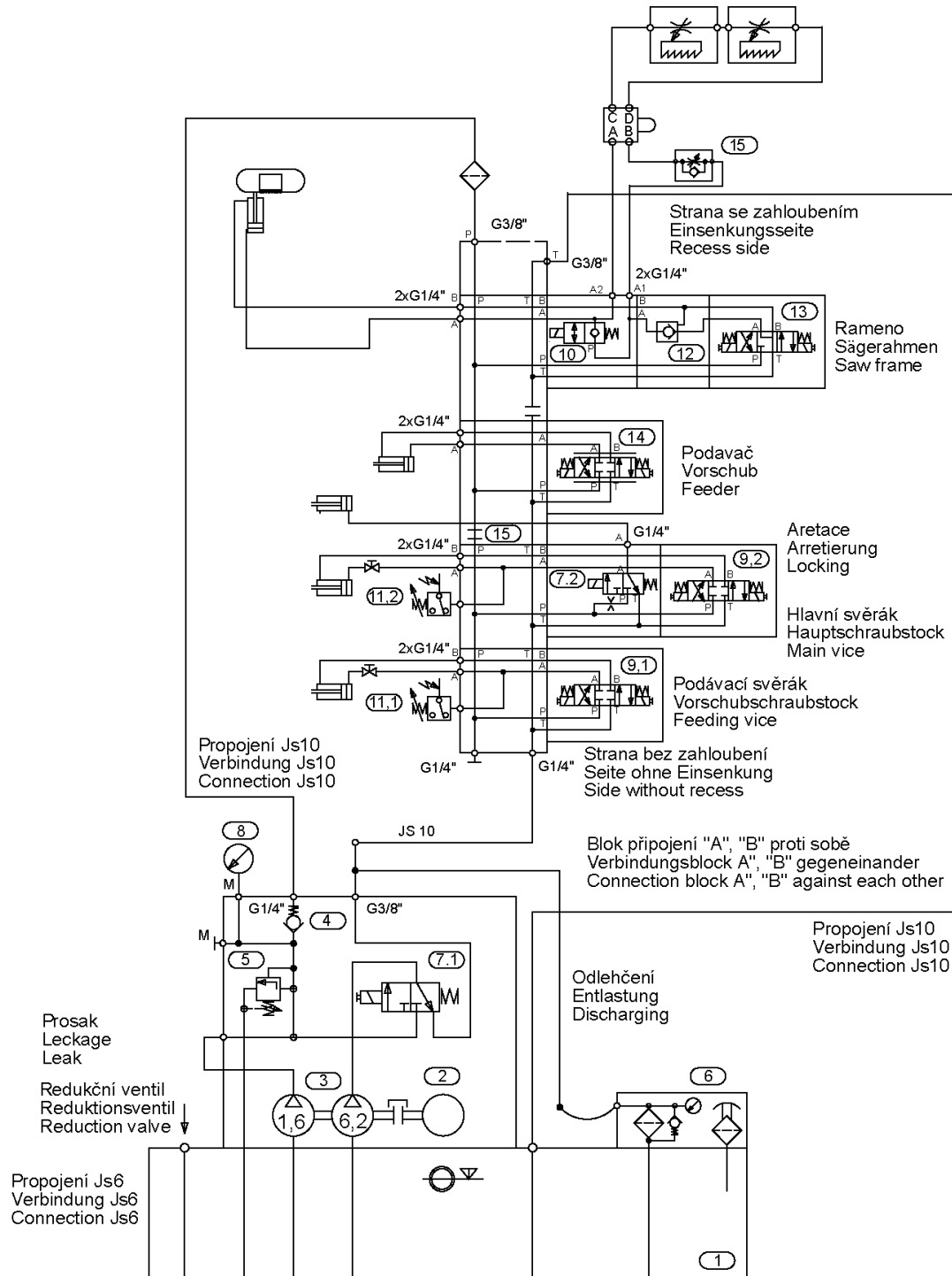
Elektrické schéma / Elektroschema / Wiring diagram 15

24. Kusovník elektrosoučástí / Stückliste der Elektroteilen / Piece list of electroparts

ATTENTION! Only qualified person can do the servicing and repairs. For parts changing, use only parts, which are identical with the originals.

Bestell - Nr.	Bezeichnung		Menge	Sign.
Objednací číslo	Název položky		ks	Ozn.
Reference No.	Item		Pcs.	Sign.
91.041.004	Filtr / Filter / Filter	FZ72460	5	RCF
91.280.002	Diodový můstek/ Diodenbrücke / Diode bridge	DB 25A 280V	1	
	Stykač / Schütz / Contactor	LP1K0901BD 24Vss	7	KM
91.045.003	Motorový spouštěč / Motor Starter / Motor Starter	MS116-0,4A (ABB)	1	FA1
91.045.010	Motorový spouštěč / Motor Starter / Motor Starter	MS116- 10A (ABB)	1	FA4
91.045.008	Motorový spouštěč / Motor Starter / Motor Starter	MS116 -4,0A (ABB)	1	FA3
91.046.002	Motorový spouštěč / Motor Starter / Motor Starter	HK1-11(ABB)	3	FA
91.995.039	Modul / Modul / Modul	JDI-2/2	1	JDI
91.995.040	Modul / Modul / Modul	JDO-2	1	JDO
91.995.048	Modul / Modul / Modul	DKL-F5	1	DKL
91.995.060	Modul / Modul / Modul	CPU2-E	1	CPU
91.001.012	Motor / Motor / Motor	7AA100L04	1	M
91.012.005	Frekvenční měnič /Frequenzwandler /Frequency conveyor	OMRON 4kW	1	FM1

25. Hydraulická schémata / Hydraulikschemata / Hydraulic diagram



Základní technické parametry :
 Technische Spezifikation:
 Technical specification:

Q	8 + 2,1	dm ³ ·min ⁻¹	ot.	1410	min ⁻¹
p _{max}	4	MPa	P	1,1	kW

Hydraulické schéma:
 Hydraulikschemata:
 Hydraulic diagram:

870-1184

Schéma / Schema / Diagram: 8701184AU-B.DWG
 Datum / Datum / Date: 22. 10. 2002

Hydraulické schéma / Hydraulikschema / Hydraulic diagram

Poz.	Název položky		ks
Pos.	Bezeichnung		Menge
Pos.	Item		Pcs.
1	Nádrž / Behälter / Tank	N20 - Bomar	1
2	Elektromotor / Elektromotor / Electromotor	1LA7090-4AA	1
3	Hydrogenerátor / Hydraulikaggregat / Hydrogenerator	P2-6,2/1,6L66313	1
4	Jednosměrný ventil / Einwegventil / One-way valve	VJ01-06/SG-1	1
5	Přepouštěcí ventil / Bypassventil / By pass valve	VPP2-04/S-6S	1
6	Zpětný filtr / Filter / Filter	FR 043 - 166/0 + DG200-06	1
	Vložka filtru / Filtereinsatz / Filter inset	V3.0510-56	1
7	Rozváděč / Verteilungsventil / Distributor	ROX1-042D21/02400E1K5	2
8	Manometr / Manometer / Manometer	0-10 MPa	1
9	Rozváděč / Verteilungsventil / Distributor	RPE 3-043Z11/02400E1K5	2
10	Blok rychloposuvu / Eilgangsblock / Speed shift block	729-0084	1
11	Tlakový spínač / Druckschalter / Pressure switch	SUCO 0166 411 031 043 s krytkou / mit Deckel / with cover	2
12	Hydraulický zámek / Hydraulisches Schloß / Hydraulic lock	VJR1-04/MA	1
13	Rozváděč / Verteilung / Distributor	RPE 3-043Y11/02400E1K5	1
14	Proporcionální rozváděč / Wege-Proportionalventil / Proportional distributor	PRM 2-043Z11/04-24 MIKRO	1
15	Škrťací ventil / Drosselventil / Throttle valve	VSO1-04/R2,5-O	1

Označení hydraulických hadiček / Bezeichnung der hydraulischen Schlauche / Indication of hydraulic hose:

Hydr. hadice	Hadice	Kování	Konc. A	Konc. B	Konc. C	Konc. D	Konc. E	Konc. F	Konc. G	Ks
Hydr. Schlauche	Schlauche	Schmieden	Schlauchtüle A	B	C	D	E	F	G	Menge
Hydr. Hose	hose	forging	terminal A	B	C	D	E	F	G	piece
6AA950	42.001.001	92.051.001	92.052.001	-	-	-	-	-	-	2
6AA950	42.001.001	92.051.001	92.052.001	-	-	-	-	-	-	2
6AA1200	42.001.001	92.051.001	92.052.001	-	-	-	-	-	-	2
6AA1650	42.001.001	92.051.001	92.052.001	-	-	-	-	-	-	1
6AG5400	42.001.001	92.051.001	92.052.001	-	-	-	-	-	93.01 2.005	1
6AG2000	42.001.001	92.051.001	92.052.001	-	-	-	-	-	93.01 2.005	1
6AA7700	42.001.001	92.051.001	92.052.001	-	-	-	-	-	-	1
6BA2920	42.001.001	92.051.001	92.052.001	92.053.001	-	-	-	-	-	1
6BA2350	42.001.001	92.051.001	92.052.001	92.053.001	-	-	-	-	-	1
6BA450	42.001.001	92.051.001	92.052.001	92.053.001	-	-	-	-	-	1
6AA6200	42.001.001	92.051.001	92.052.001	-	-	-	-	-	-	2
10BA800	42.003.001	92.051.003	92.052.002	92.053.002	-	-	-	-	-	1
10BB1200	42.003.001	92.051.003	-	92.053.002	-	-	-	-	-	1
10BA1400	42.003.001	92.051.003	92.052.002	92.053.002	-	-	-	-	-	1

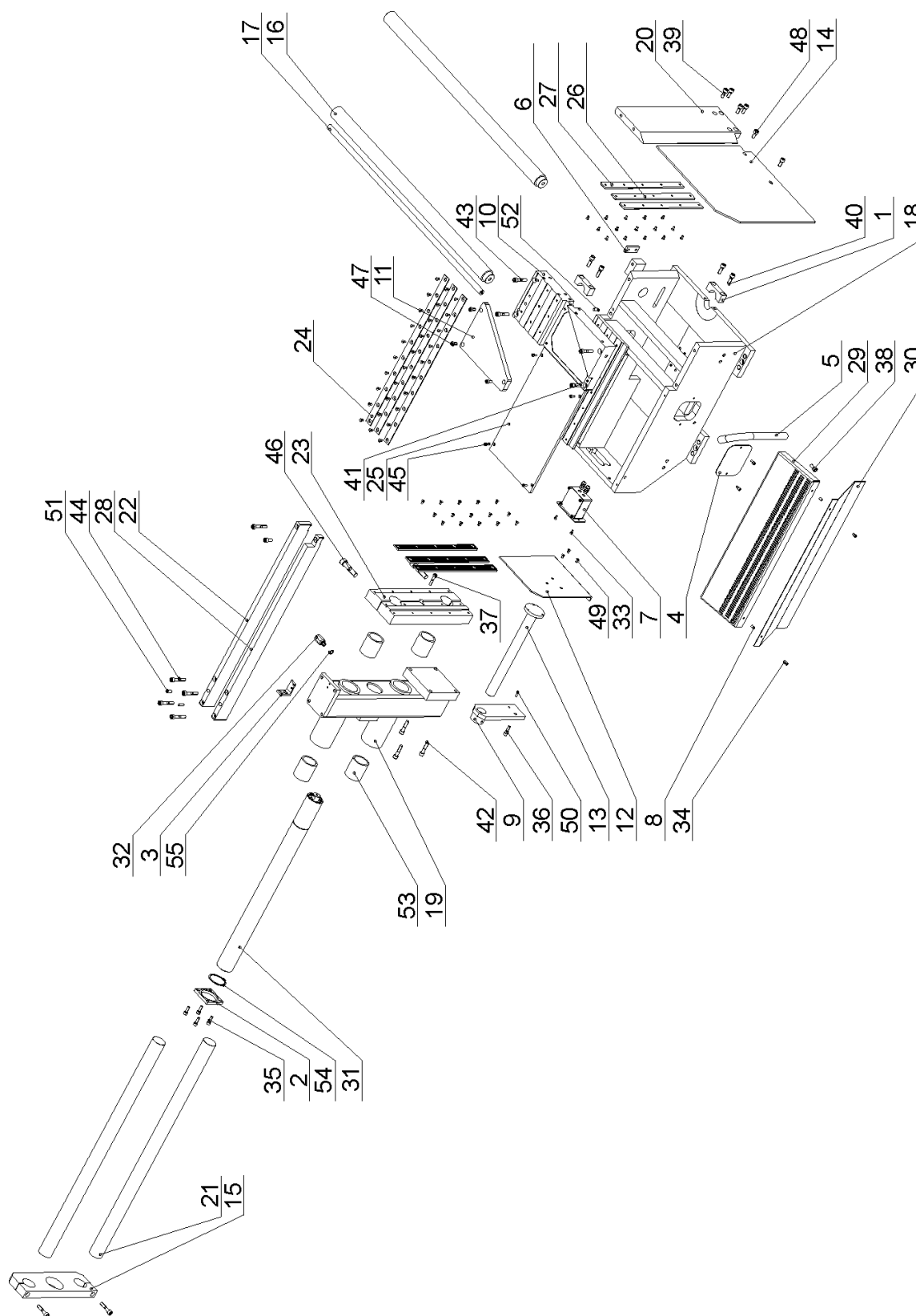
PZA										
6BA1900	42.001.001	92.051.001	92.052.001	92.053.001	-	-	-	-	-	2
6AA1300	42.001.001	92.051.001	92.052.001	-	-	-	-	-	-	2
SDRA										
6BB1100	42.001.001	92.051.001	-	92.053.001	-	-	-	-	-	1
6BB1450	42.001.001	92.051.001	-	92.053.001	-	-	-	-	-	1
6BA1420	42.001.001	92.051.001	92.052.001	92.053.001	-	-	-	-	-	1

26. Výkresy sestav pro objednání náhradních dílů / Zeichnungen für Bestellung der Ersatzteile / Drawing assemblies for spare parts order

Při objednávání náhradních dílů vždy uvádějte: typ stroje (např. STG 120), výrobní číslo (např. 125) a rok výroby (např. 1999).

In die Bestellung der Ersatzteile führen Sie immer an:
Maschinentyp (z. B. STG 120), Serien Nr. (z. B. 125) und
Baujahr (z. B. 1999).

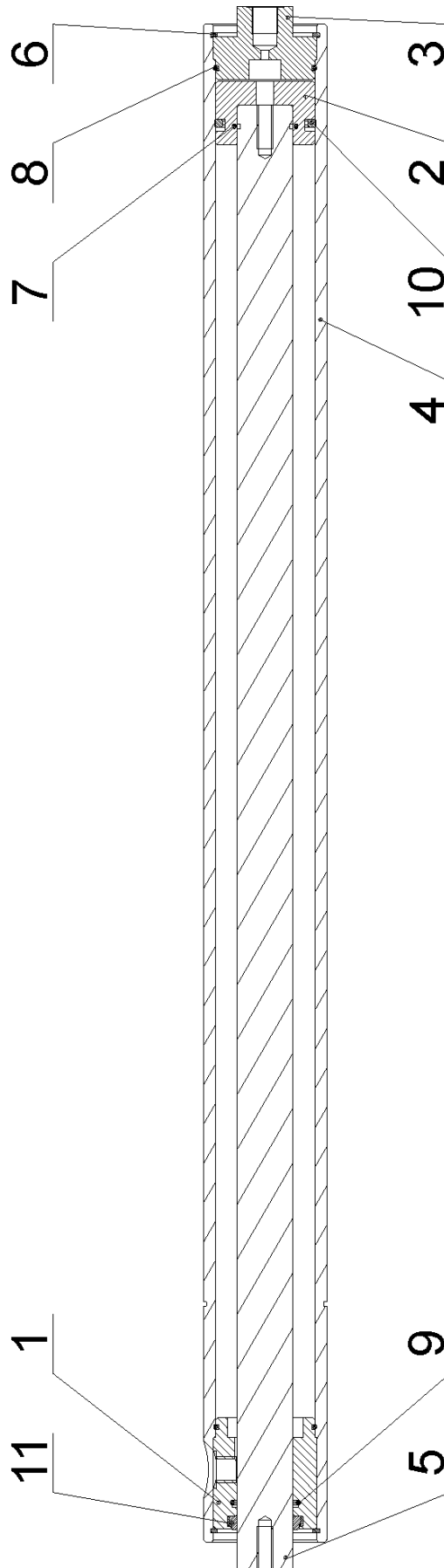
For spare parts order, you must always to allege: type of
machine (for example STG 120), serial number (for example 125)
and year of construction (for example 1999).



26.1. Hlavní svěrák / Hauptschraubstock / Main vice

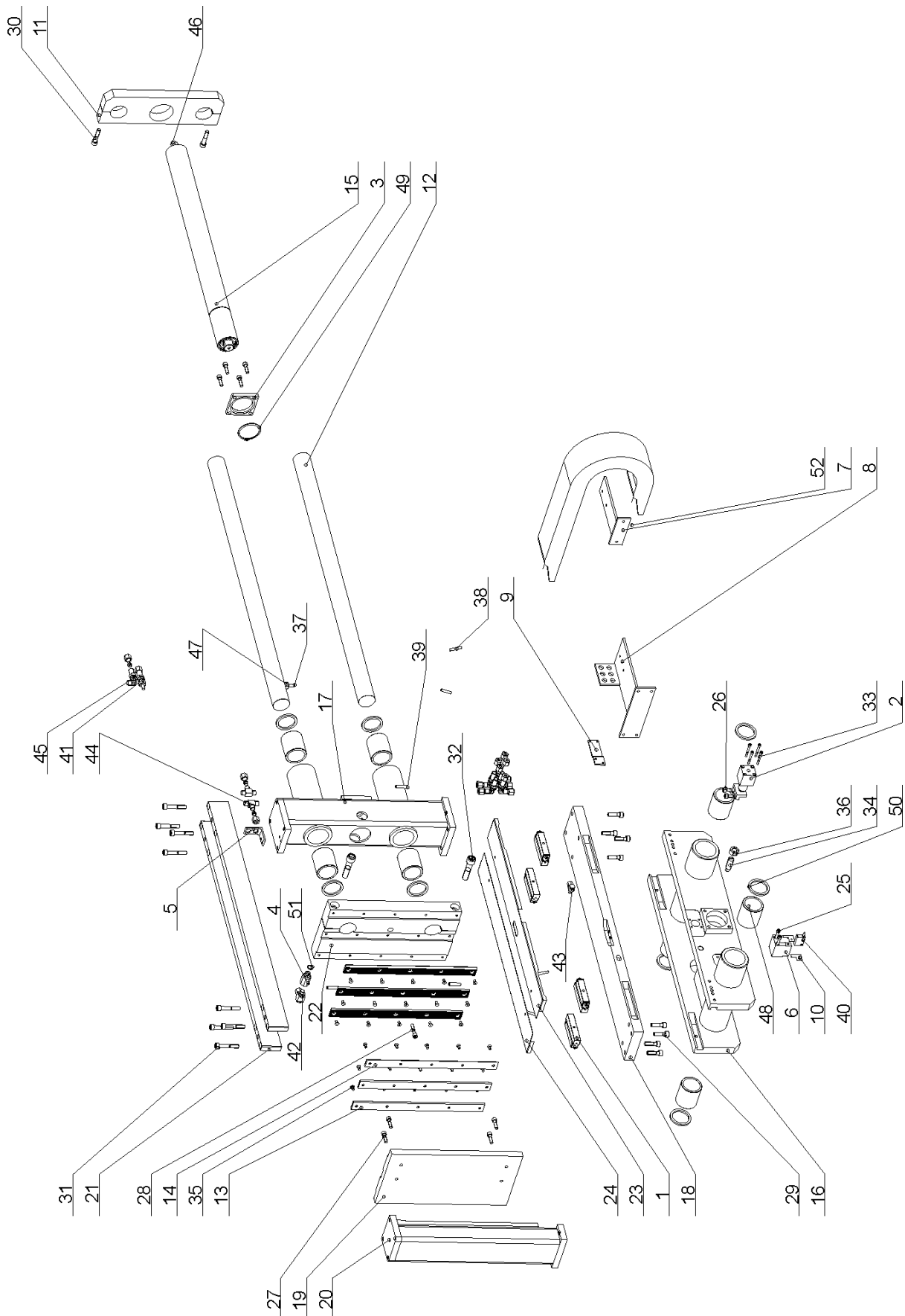
Poz.	Objednací číslo	Název položky	ks
Pos.	Bestell - Nr.	Bezeichnung	Menge
Pos.	Reference No.	Item	Pcs.
1	30.0809-010	Příložka / Lasche / Splice plate	2
2	30.2011-010	Příložka / Lasche / Splice plate	1
3	30.2014-011	Držák hadice / Halter / Hose holder	1
4	30.2903-007	Kryt / Deckel / Cover	1
5	30.2903-008	Trubka / Rohr / Tube	1
6	30.2903-013	Doraz / Anschlag / Length stop	1
7	30.2903-100	Displej / Display / Display	1
8	30.3509-015	Trubka distanční / Distanzrohr / Distance tube	2
9	30.3514-502	Konzola / Konsole / Console	1
10	30.3709-002	Deska / Platte / Plate	1
11	30.3709-003	Deska výměnná / Austauschplatte / Exchangeable plate	1
12	30.3714-401	Čelist pomocná / Hilfsbacke / Auxiliary jaw	1
13	30.3714-402	Vedení čelisti / Backenführung / Jaw guiding	1
14	30.4009-010	Čelist pomocná / Hilfsbacke / Auxiliary jaw	1
15	30.4009-011	Brýle / Spanneisen / Glasses	1
16	30.4303-018	Tyč vodící / Führungsstange / Guiding bar	2
17	30.4303-021	Tyč odměřování / Abmessungsstange / Measuring bar	1
18	30.4803-001	Podstavec / Untergestell / Pedestal	1
19	30.4803-002	Sloup / Säule / Pillar	1
20	30.4803-003	Čelist / Backe / Jaw	1
21	30.4803-004	Tyč / Stange / Rod	2
22	30.4803-005	Lišta / Leiste / Listel	1
23	30.4803-006	Čelist / Backe / Jaw	1
24	30.4803-008	Deska třecí / Bremsklotz / Frictional plate	3
25	30.4803-009	Kryt svěráku / Deckel / Vice cover	1
26	30.4803-010	Lišta čelisti / Backenleiste / Jaw listel	4
27	30.4803-011	Lišta čelisti / Backenleiste / Jaw listel	2
28	30.4803-013	Lišta / Leiste / Listel	1
29	30.4803-014	Rošt / Gitter / Hake	1
30	30.4803-015	Skluz / Rutsch / Glide	1
31	30.4807-000	Upínací válec / Spannzylinder / Clamping cylinder	1
32	30.6007-108	Prodloužení / Verlängerung / Extension	1
33	90.001.25.007	Šroub / Schraube / Screw M5x10 DIN 912 8.8	2
34	90.001.25.015	Šroub / Schraube / Screw M6x10 DIN 912 8.8	2
35	90.001.25.033	Šroub / Schraube / Screw M8x25 DIN 912 8.8	4
36	90.001.25.034	Šroub / Schraube / Screw M8x30 DIN 912 8.8	1
37	90.001.25.036	Šroub / Schraube / Screw M8x40 DIN 912 8.8	1
38	90.001.25.046	Šroub / Schraube / Screw M10x20 DIN 912 8.8	2
39	90.001.25.047	Šroub / Schraube / Screw M10x25 DIN 912 8.8	5
40	90.001.25.048	Šroub / Schraube / Screw M10x30 DIN 912 8.8	2
41	90.001.25.049	Šroub / Schraube / Screw M10x35 DIN 912 8.8	3
42	90.001.25.051	Šroub / Schraube / Screw M10x45 DIN 912 8.8	4
43	90.001.25.052	Šroub / Schraube / Screw M10x50 DIN 912 8.8	5
44	90.001.25.054	Šroub / Schraube / Screw M10x60 DIN 912 8.8	5
45	90.001.25.092	Šroub / Schraube / Screw M6x14 DIN 912 8.8	6
46	90.001.25.098	Šroub / Schraube / Screw M16x80 DIN 912 8.8	2
47	90.001.25.105	Šroub / Schraube / Screw M8x18 DIN 912 8.8	3
48	90.001.25.106	Šroub / Schraube / Screw M10x22 DIN 912 8.8	2
49	90.011.27.005	Šroub / Schraube / Screw M6x12 DIN 7991 10.9	63
50	90.300.OZ.005	Válcový kolík / Zylinderstift / Cylindrical pin 6x20 DIN 6325	1
51	90.300.OZ.009	Válcový kolík / Zylinderstift / Cylindrical pin 8x24 DIN 6325	2
52	90.300.OZ.022	Válcový kolík / Zylinderstift / Cylindrical pin 8x22 DIN 6325	1

53	95.710.002	Kuličkové pouzdro / Kugelbuchse / Ball bush	50x70	4
54	95.800.021	Pojistný kroužek / Sicherungsring / Retaining ring	Ø62 DIN 471	1
55	96.082.002	Těsnící kroužek / Dichtungsring / Sealing ring Cu	13/17	1



26.2. Upínací válec / Spannzyylinder / Clamping cylinder - 251.102

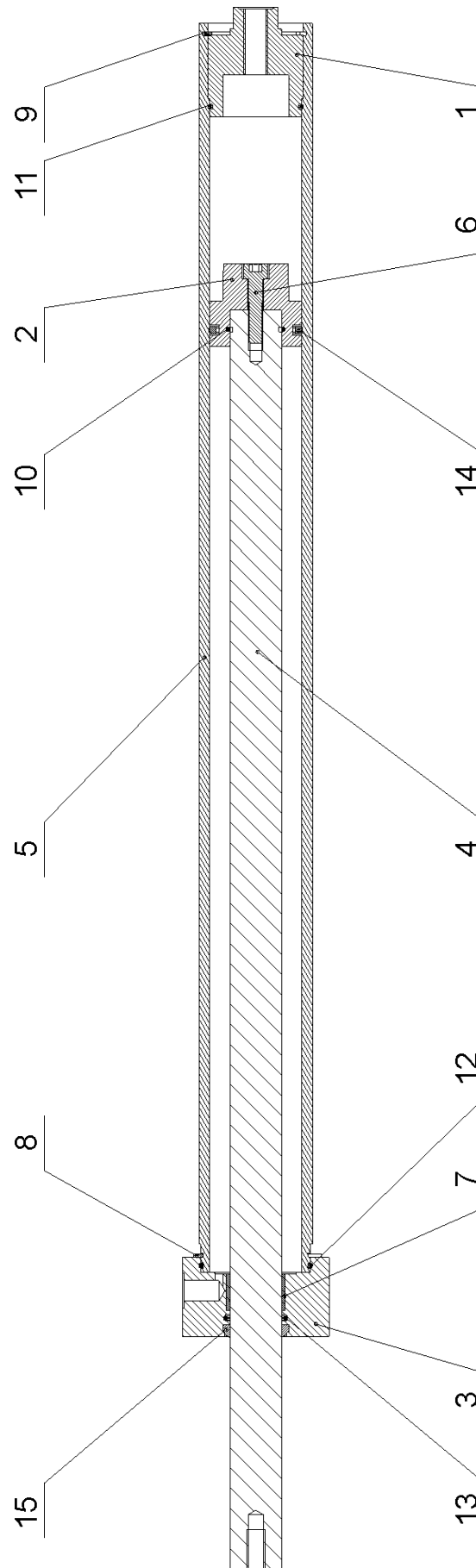
Poz.	Objednací číslo	Název položky	ks
Pos.	Bestell - Nr.	Bezeichnung	Menge
Pos.	Reference No.	Item	Pcs.
1	30.1807-104	Přívod / Zufuhr / Inflow	1
2	30.2007-302	Píst / Kolben / Piston	1
3	30.2007-304	Víko / Deckel / Cover	1
4	30.4807-001	Válec svěráku / Zylinder / Vice cylinder	1
5	30.4807-002	Pístnice / Kolbenstange / Piston rod	1
6	95.801.009	Pojistný kroužek / Sicherungsring / Retaining ring Ø52 DIN 472	2
7	96.001.008	O-kroužek / O Ring / O Ring 26x2	1
8	96.001.013	O-kroužek / O Ring / O Ring 45x2	2
9	96.002.014	O-kroužek / O Ring / O Ring 28x3	1
10	96.020.005	Q-kroužek / Q Ring / Q Ring 4326A 39.2x5.33	1
11	96.040.003	Stírací kroužek / Abstreifring / Scraper cup 40x52x5	1



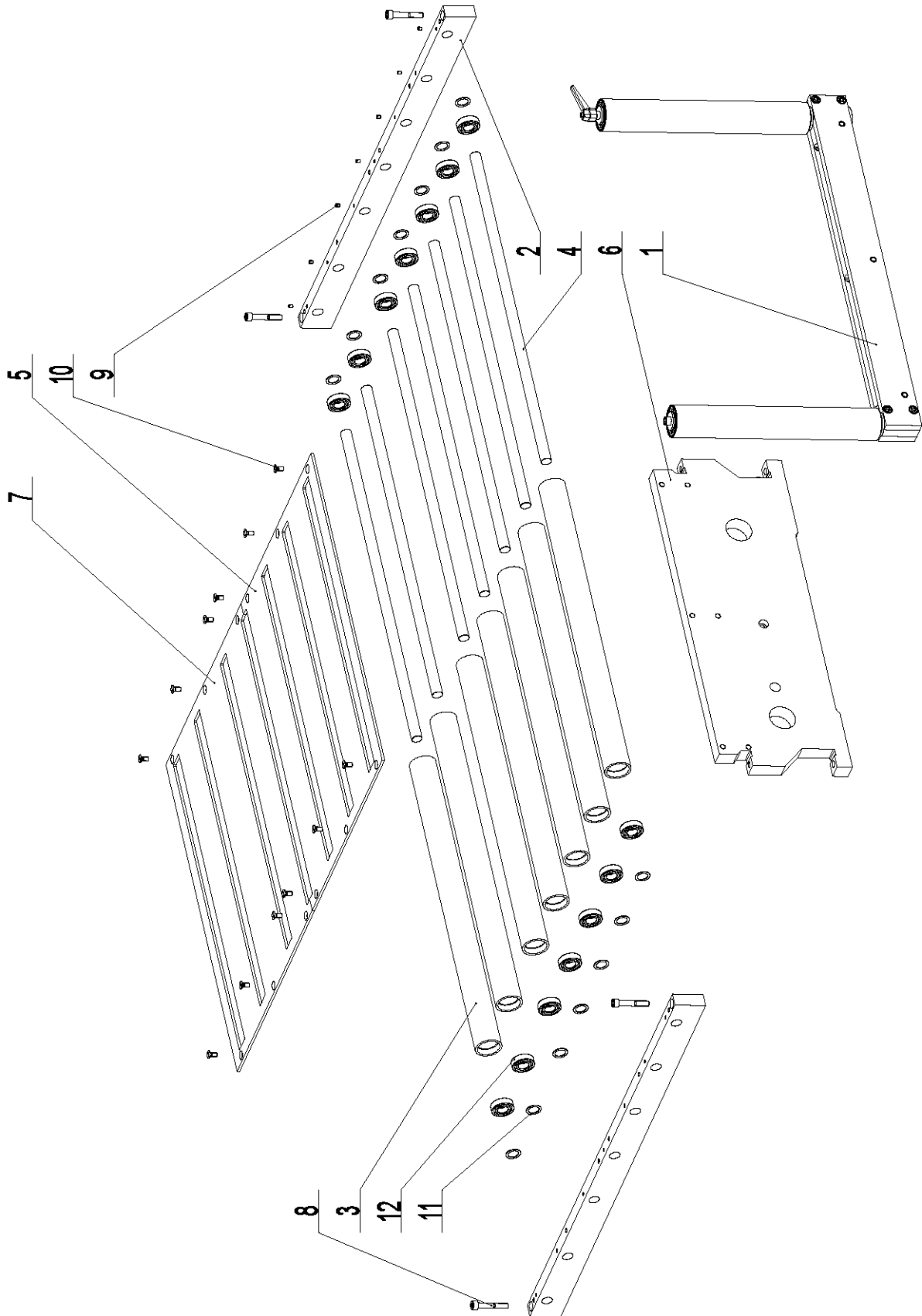
26.3. Podávací svěrák / Vorschubschraubstock / Feeding vice

Poz.	Objednací číslo	Název položky	ks
Pos.	Bestell - Nr.	Bezeichnung	Menge
Pos.	Reference No.	Item	Pcs.
1	Viz. Výkres / Siehe Zeichnung / See drawing	Válečkový element / Zylinderelement / Cylindrical element	4
2	Viz. Výkres / Siehe Zeichnung / See drawing	Fixační válec / Zylinder / Fixative cylinder	1
3	30.2011-010	Příložka / Lasche / Splice plate	1
4	30.2011-011	Šroubení / Schraubung / Screwing	1
5	30.2014-011	Držák hadice / Halter / Hose holder	1
6	30.2014-023	Držák snímače / Halter / Sensor holder	1
7	30.2911-026	Konzola / Konsole / Console	1
8	30.2911-027	Konzola / Konsole / Console	1
9	30.2911-028	Držák koncového spínače / Endschalterhalter / Limit switch holder	1
10	30.3511-013	Stěrač / Abstreifer / Scraper	2
11	30.4009-011	Brýle / Spanneisen / Glasses	1
12	30.4803-004	Tyč / Stange / Rod	2
13	30.4803-010	Lišta čelisti / Leiste / Jaw listel	4
14	30.4803-011	Lišta čelisti / Leiste / Jaw listel	2
15	30.4807-000	Válec / Zylinder / Cylinder	1
16	30.4811-001	Základna / Grundlage / Base	1
17	30.4811-002	Sloup / Säule / Pillar	1
18	30.4811-003	Základna / Grundlage / Base	1
19	30.4811-004	Čelist / Backe / Jaw	1
20	30.4811-007	Sloup / Säule / Pillar	1
21	30.4811-010	Lišta / Leiste / Listel	2
22	30.4811-022	Čelist / Backe / Jaw	1
23	30.4811-023	Kryt / Deckel / Cover	1
24	30.4811-024	Kryt / Deckel / Cover	1
25	90.001.25.023	Šroub / Schraube / Screw M6x50 DIN 912	2
26	90.001.25.031	Šroub / Schraube / Screw M8x16 DIN 912	2
27	90.001.25.034	Šroub / Schraube / Screw M8x30 DIN 912	8
28	90.001.25.036	Šroub / Schraube / Screw M8x40 DIN 912	1
29	90.001.25.049	Šroub / Schraube / Screw M10x35 DIN 912	8
30	90.001.25.052	Šroub / Schraube / Screw M10x50 DIN 912	2
31	90.001.25.054	Šroub / Schraube / Screw M10x60 DIN 912	8
32	90.001.25.098	Šroub / Schraube / Screw M16x80 DIN 912	2
33	90.001.25.108	Šroub / Schraube / Screw M5x45 DIN 912	4
34	90.004.2D.019	Šroub / Schraube / Screw M16x40 DIN 915	1
35	90.011.27.005	Šroub / Schraube / Screw M6x12 DIN 7991	30
36	90.100.55.008	Matice / Mutter / Nut M16 DIN 934	1
37	90.301.0Z.008	Válcový kolík / Zylinderstift / Cylindrical pin M8x20 DIN 7	2
38	90.302.0Z.001	Kuželový kolík+závit / Kegelbolzen+Gewinde / Taper pin+thread M6x36 DIN 7978	4
39	90.302.0Z.003	Kuželový kolík+závit / Kegelbolzen+Gewinde / Taper pin+thread M8x36 DIN 7978	4
40	91.270.004	Magnetický sensor / Magnet. Meßgeber / Magnetic sensor SIKO	1
41	92.002.001	Šroubení přímé / Gerade Verschraubung / Straight screwing	1
42	92.003.001	Šroubení natáčecí / Winkelverschraubung / Swivelling screw	1

43	92.003.104	Šroubení natáčecí / Winkelverschraubung / Swivelling screw	1
44	92.006.001	Propojka / Verbindungsstück / Jumper T	2
45	92.009.001	Průchodka úhlová / Tülle / Angle grommet	6
46	92.013.001	Maticе / Mutter / Nut	18
47	92.014.001	Těsnící kroužek / Dichtungsring / Sealing ring	18
48	95.710.002	Kuličkové pouzdro / Kugelbuchse / Ball bush 50x70	8
49	95.800.021	Pojistný kroužek / Sicherungsring / Retaining ring Ø62 DIN 471	1
50	96.040.004	Stírací manžeta / Abstreifmanschette / Scraper cup 50x62x5	8
51	96.082.002	Těsnící kroužek / Dichtungsring / Sealing ring Cu 13/17	1
52	99.170.001	Řetěz energií / Energiekette / Hydr. pipes leading	1

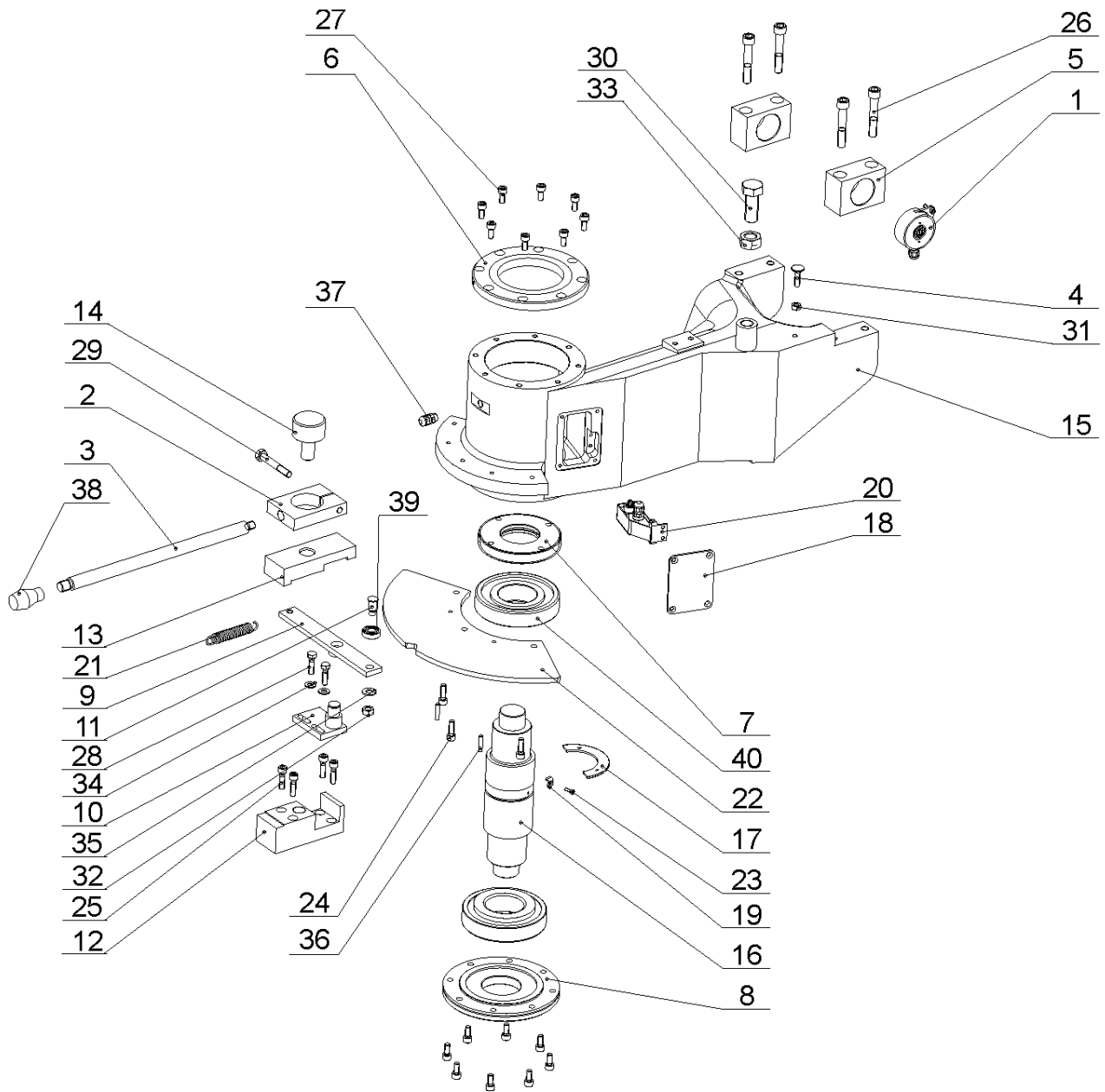

26.4. Válec podavače / Vorschubzylinder / Feeder cylinder - 251.075

Poz.	Objednací číslo	Název položky	ks
Pos.	Bestell - Nr.	Bezeichnung	Menge
Pos.	Reference No.	Item	Pcs.
1	30.1807-103	Víko / Deckel / Cover	1
2	30.1807-105	Píst / Kolben / Piston	1
3	30.2007-101	Víko / Deckel / Cover	1
4	30.2007-105	Pístnice / Kolbenstange / Piston rod	1
5	30.3507-101	Válec / Zylinder / Cylinder	1
6	90.001.25.035	Šroub / Schraube / Screw M8x35 DIN 912 8.8	1
7	95.700.005	Pouzdro / Buchse / Bush KU 28x20	1
8	95.800.020	Pojistný kroužek / Sicherungsring / Retaining ring Ø60 DIN 471	1
9	95.801.029	Pojistný kroužek / Sicherungsring / Retaining ring Ø55 DIN 472	1
10	96.001.007	O-kroužek / O Ring / O Ring 25x2	1
11	96.001.013	O-kroužek / O Ring / O Ring 45x2	1
12	96.001.014	O-kroužek / O Ring / O Ring 55x2	1
13	96.002.014	O-kroužek / O Ring / O Ring 28x3	1
14	96.020.005	Q-kroužek / Q Ring / Q Ring 4326A 39.2x5.33	1
15	96.060.003	Kroužek stírací / Abstreifring / Wiping ring 28x36	1



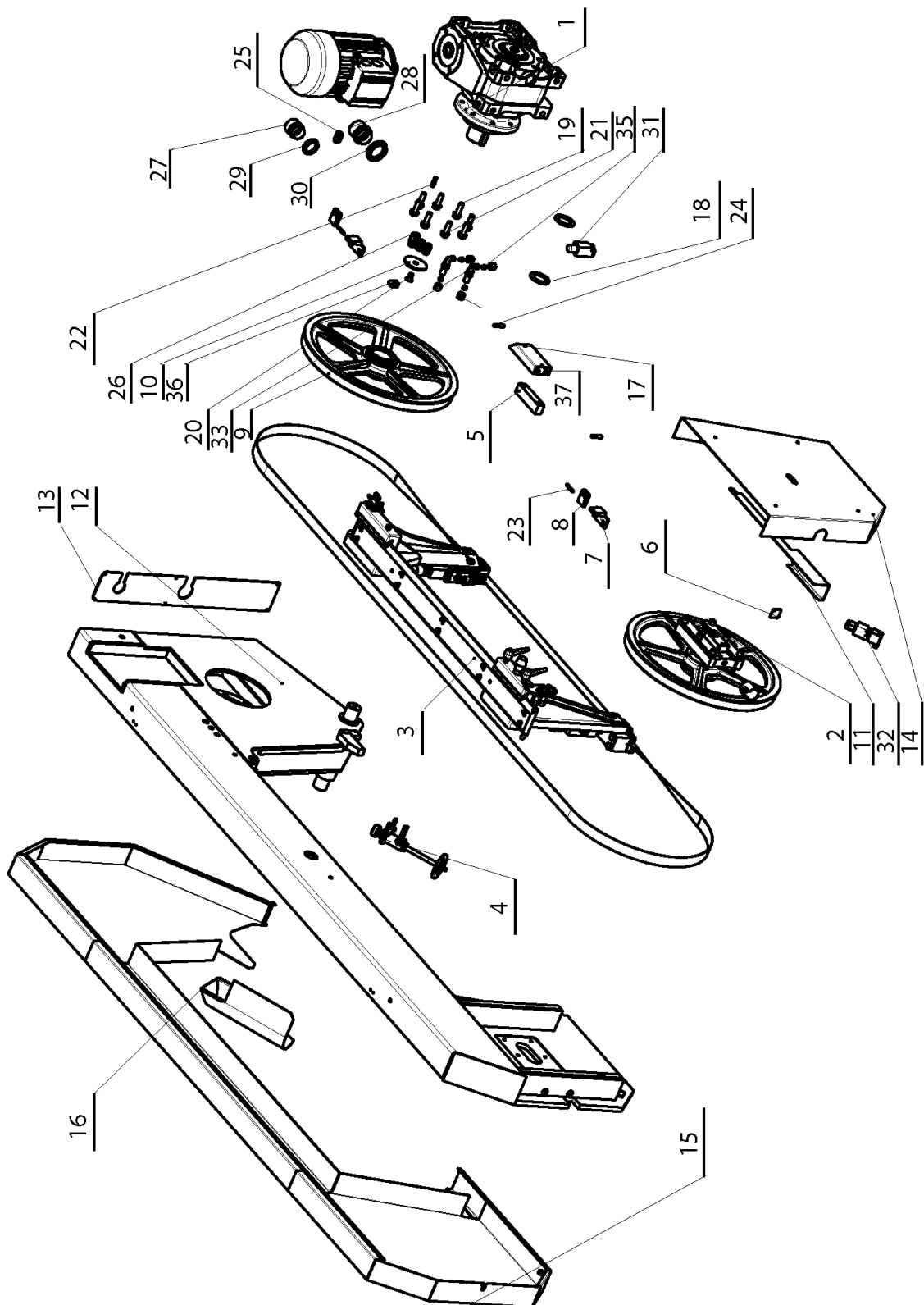
26.5. Válečková trať / Rollenbahn / Roller conveyor

Poz.	Objednací číslo	Název položky	ks
Pos.	Bestell - Nr.	Bezeichnung	Menge
Pos.	Reference No.	Item	Pcs.
1	201.4811-600	Vertikální válečky / Vertikalrollen / Vertical rollers	1
2	30.2911-301	Lišta / Leiste / Listel	2
3	30.4811-102	Válec / Zylinder / Cylinder	7
4	30.4811-103	Tyč / Stange / Bar	7
5	30.4811-105	Rošt / Gitter / Hake	1
6	30.4811-110	Čelo / Stirn / Forehead	1
7	30.4811-308	Rošt / Gitter / Hake	1
8	90.001.25.054	Šroub / Schraube / Screw M10x60 DIN 912	4
9	90.002.2D.029	Šroub / Schraube / Screw M6x8 DIN 913	7
10	90.011.27.022	Šroub / Schraube / Screw M5x16 DIN 7991	12
11	90.154.50.011	Podložka / Scheibe / Washer Ø20x28x1 DIN 988	14
12	95.001.007	Ložisko / Lager / Bearing 6004 2RS	14



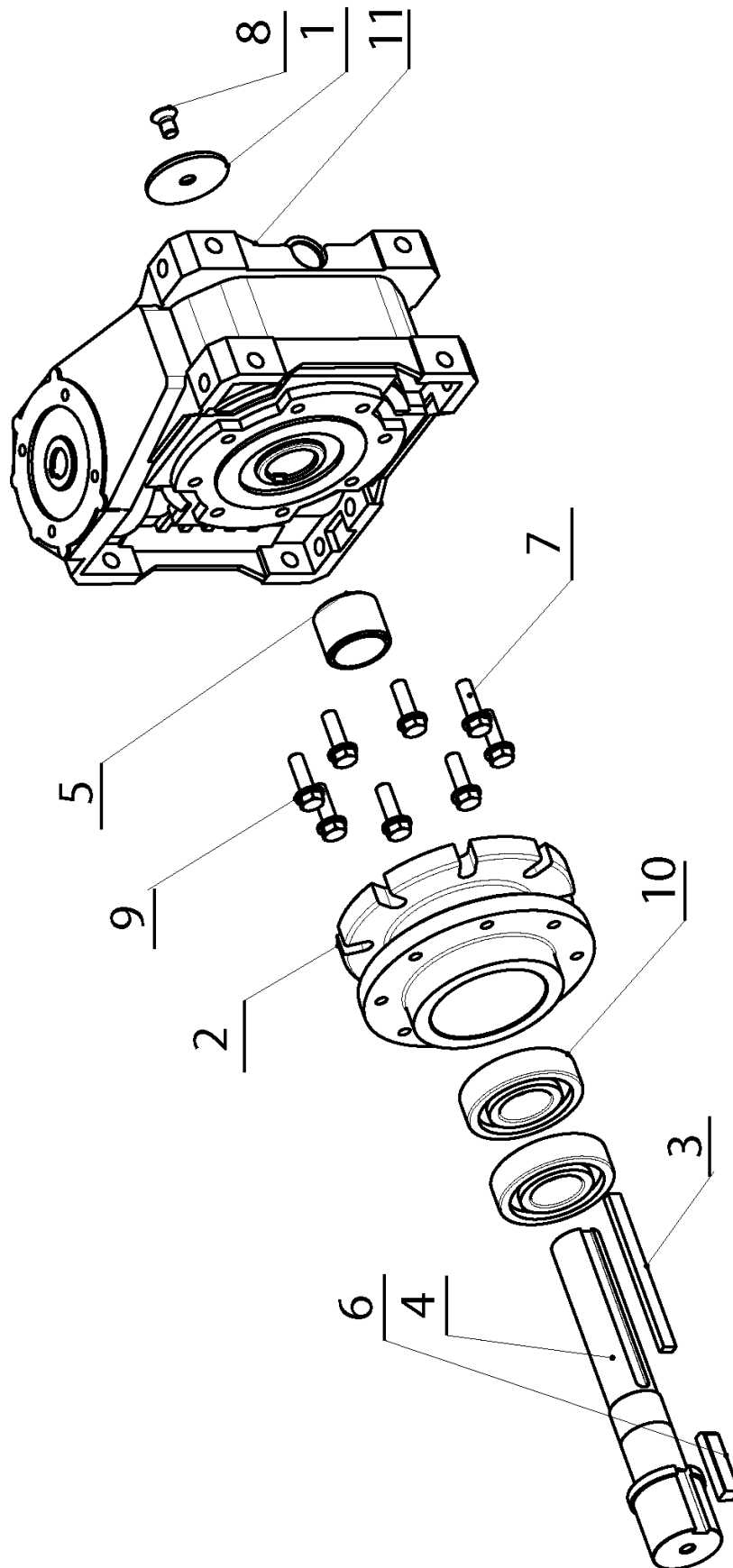
26.6. Otočná konzola / Gehrungskonsole / Turning console

Poz.	Objednací číslo	Název položky	ks
Pos.	Bestell - Nr.	Bezeichnung	Menge
Pos.	Reference No.	Item	Pcs.
1	Viz. Výkres / Siehe Zeichnung / See drawing	Odměrování úhlu / Gehrungsmessung / Admeasurement of angle	1
2	30.0702-004	Držák páky / Hebelhalter / Lever holder	1
3	30.0702-005	Páka / Hebel / Lever	1
4	30.0702-013	Šroub / Schraube / Screw	1
5	30.0802-002	Ložisko ramene / Sägerahmenslager / Arm bearing	2
6	30.0802-004	Víko horní / Oberer Deckel / Top cover	1
7	30.0802-005	Matice ložiska / Lagermutter / Bearing nut	1
8	30.0802-006	Víko spodní / Unterer Deckel / Bottom cover	1
9	30.0802-009	Páka / Hebel / Lever	1
10	30.0802-010	Čep / Bolzen / Pivot	1
11	30.0802-011	Čep ložiska / Bolzen / Bearing pivot	1
12	30.0809-007	Kostka / Würfel / Cube	1
13	30.0809-008	Upínka / Spanneisen / Clamp	1
14	30.0809-009	Šroub / Schraube / Screw	1
15	30.2902-001	Konzola / Konsole / Console	1
16	30.2902-003	Čep konzoly / Bolzen / Console pivot	1
17	30.2902-010	Segment / Segment / Segment	1
18	30.2902-111	Kryt / Deckel / Cover	1
19	30.2902-112	Držák / Halter / Holder	2
20	Viz. Výkres / Siehe Zeichnung / See drawing	Snímač natáčení / Positionsgeber / Turning sensor	1
21	31.0206-005	Pružina / Feder / Spring 2.50x16x90x27	1
22	30.2902-007	Deska dělení / Platte / Dividing plate	1
23	90.001.25.003	Šroub / Schraube / Screw M4x12 DIN 912 8.8	2
24	90.001.25.033	Šroub / Schraube / Screw M8x25 DIN 912 8.8	3
25	90.001.25.034	Šroub / Schraube / Screw M8x30 DIN 912 8.8	4
26	90.001.25.064	Šroub / Schraube / Screw M12x70 DIN 912 8.8	4
27	90.001.25.105	Šroub / Schraube / Screw M8x18 DIN 912 8.8	16
28	90.005.55.017	Šroub / Schraube / Screw M8x30 DIN 933 8.8	2
29	90.005.55.042	Šroub / Schraube / Screw M10x70 DIN 933 8.8	1
30	90.005.55.050	Šroub / Schraube / Screw M20x50 DIN 933 8.8	1
31	90.100.55.005	Matice / Mutter / Nut M8 DIN 934 8.8	1
32	90.100.55.006	Matice / Mutter / Nut M10 DIN 934 8.8	1
33	90.100.55.009	Matice / Mutter / Nut M20 DIN 934 8.8	1
34	90.150.50.005	Podložka / Scheibe / Washer Ø8,4 DIN 125	2
35	90.150.50.006	Podložka / Scheibe / Washer Ø10,5 DIN 125	1
36	90.300.0Z.XXX	Válcový kolík / Zylinderstift / Cylindrical pin 6x28 DIN 6325	2
37	91.070.010	Vývodka / Ausföhrung / Bushing M12	1
38	94.002.001	Rukojeť kuželová / Griffschalter / Conical handle M12	1
39	95.001.005	Ložisko / Lager / Bearing 6001 2RS	1
40	95.300.001	Ložisko / Lager / Bearing 30312 AX	2



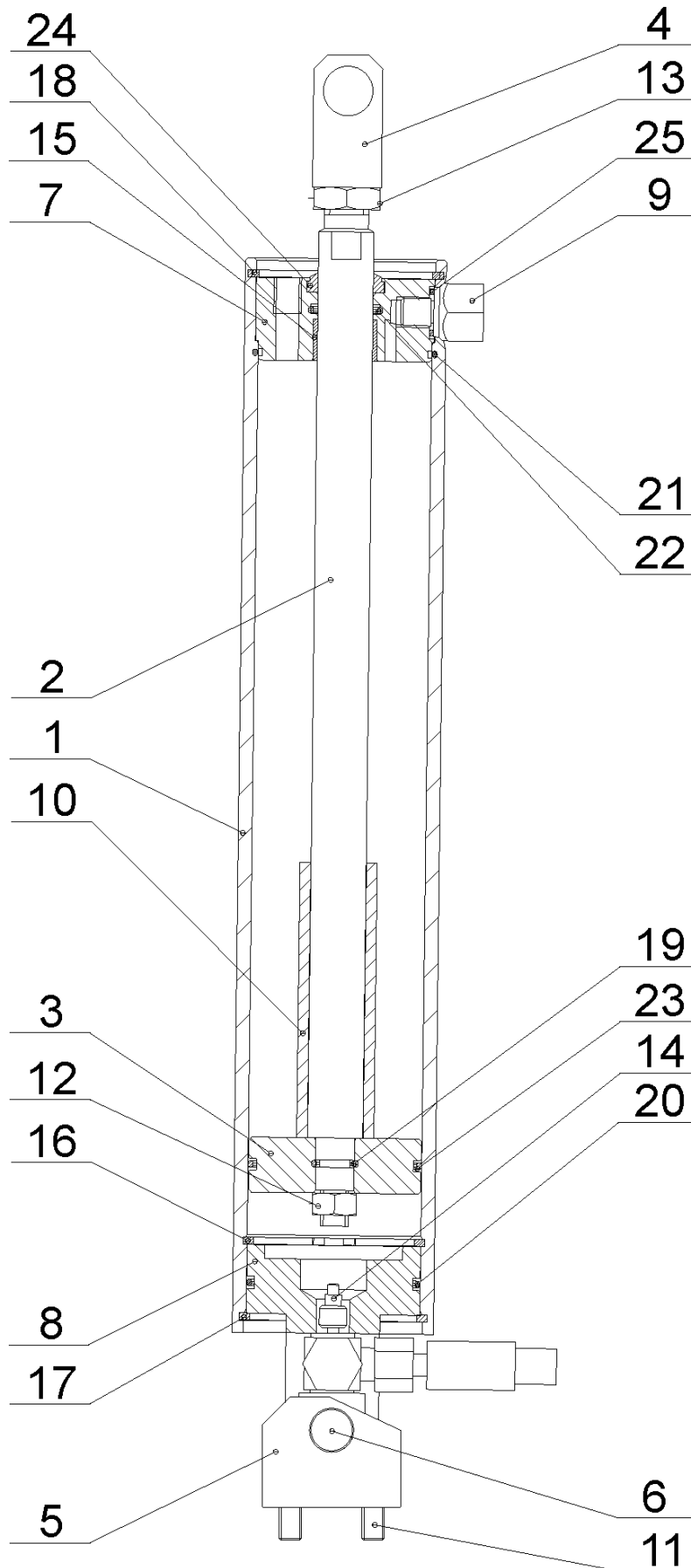
26.7. Pilové rameno / Sägerahmen / Saw arm

Poz.	Objednací číslo	Název položky		ks
Pos.	Bestell - Nr.	Bezeichnung		Menge
Pos.	Reference No.	Item		Pcs.
1	201.4805-050	Převodovka / Getriebe / Gearbox		1
2	201.4808-000	Napínání / Spannung / Stretching		1
3	201.4810-000	Vedení pásu / Bandführung / Band guiding		1
4	201.4814-400	Kartáček / Bürste / Brush		1
5	30.0814-014	Kluzák / Prisma / Glider		1
6	30.0814-113	Plech / Blech / Metal plate		1
7	30.1714-102	Konzola / Konsole / Console		2
8	30.1714-103	Kostka / Würfel / Cube		2
9	30.1804-002	Kolo hnací / Antriebsrad / Driving wheel		1
10	30.1804-010	Podložka / Scheibe / Washer		1
11	30.4014-108	Kryt pásu / Banddeckel / Band cover		1
12	30.4804-051	Rameno / Arm / Arm		1
13	30.4804-052	Víko / Deckel / Cover		1
14	30.4814-102	Kryt / Deckel / Cover		1
15	30.4814-303	Kryt pásu / Banddeckel / Band cover		1
16	30.4814-309	Kryt kartáčku / Bürstenabdeckung / Brush cover		1
17	30.8914-211	Kryt / Deckel / Cover		1
18	81.0804-005	Kroužek / Ring / Ring		2
19	90.005.55.034	šroub se šestihrannou hlavou / Sechskantschraube / Hex head screw	M12x40	8
20	90.011.27.009	Šroub zápusťný / Countersunk screw / Senkschraube	M12x20	1
21	90.150.50.007	Podložka / Scheibe / Washer	d13 DIN 125	8
22	90.300.OZ.010	Kolík válcový / Zylinderstift / Cylindrical pin	8x32	1
23	90.301.OZ.006	Kolík válcový / Zylinderstift / Cylindrical pin	6x38	2
24	90.302.OZ.003	Kolík / Bolzen / Pin	8x36	2
25	91.070.011	Vývodka / Ausführung / Bushing	M16x1,5	3
26	91.070.012	Vývodka / Ausführung / Bushing	M20x1,5	1
27	91.071.004	Vývodka / Ausführung / Bushing	PG29	1
28	91.071.005	Vývodka / Ausführung / Bushing	PG36	1
29	91.072.007	Matice / Mutter / Nut	PG29	1
30	91.072.008	Matice / Mutter / Nut	PG36	1
31	91.173.007	Spínač koncový / Endschalter / Limit switch - lock		1
32	91.173.012	Spínač / Schalter / Switch		1
33	92.009.001	Průchodka úhlová / Winkeltülle / Angle feed through	24146	2
34	92.013.001	Matice / Mutter / Nut		4
35	92.014.001	Kroužek těsnící / Dichtungsring / Sealing ring	372405P	4
36	94.204.002	Držák hadice / Schlauchhalter / Hose holder		1
37	94.204.005	Držák hadice / Schlauchhalter / Hose holder	LBG 14/14-PP	1



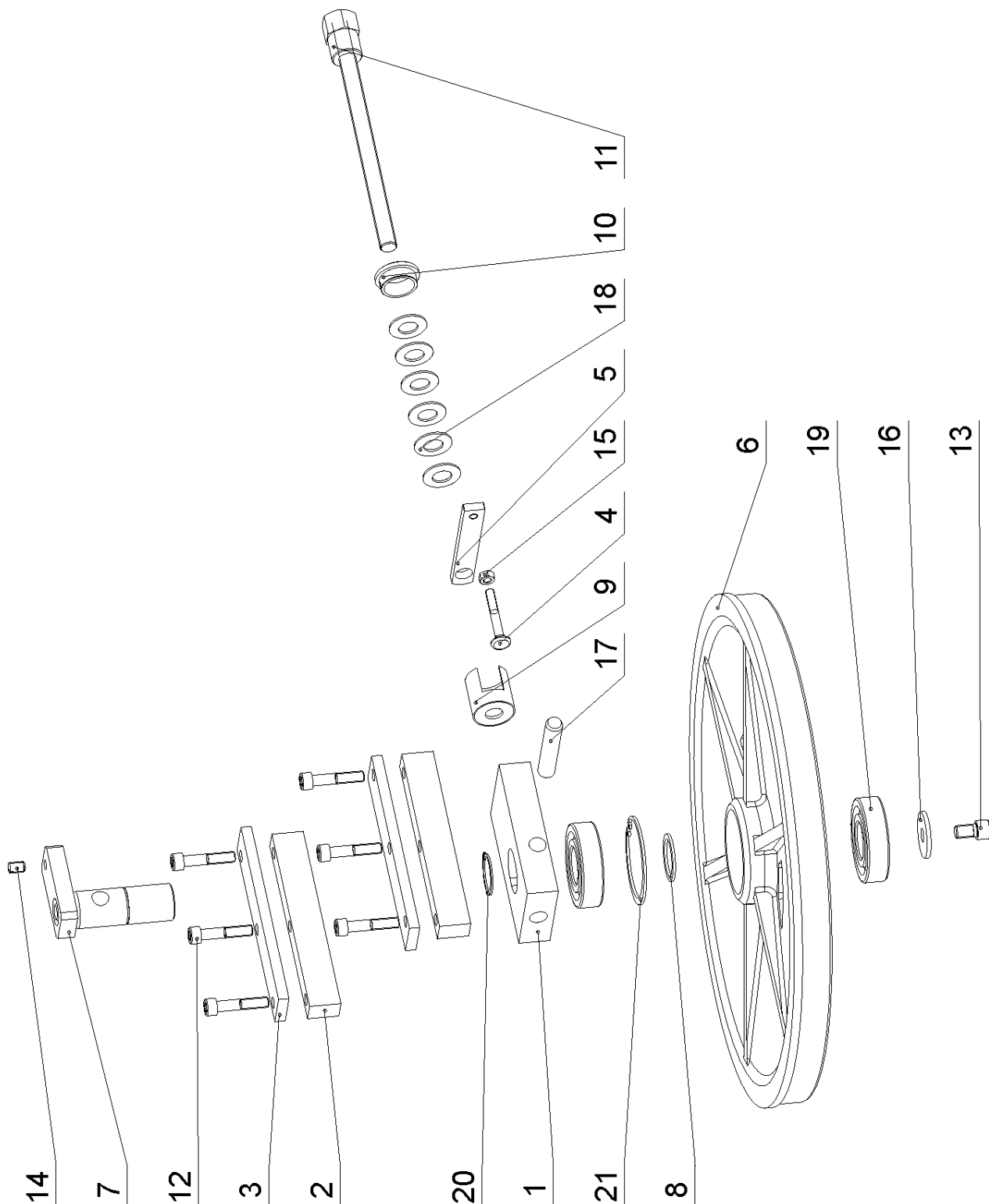
26.8. Převodovka / Getriebe / Gearbox

Poz.	Objednací číslo	Název položky		ks
Pos.	Bestell - Nr.	Bezeichnung		Menge
Pos.	Reference No.	Item		Pcs.
1	30.1804-010	Podložka / Scheibe / Washer		1
2	30.2904-002	Příruba / Flansche / Flange		1
3	30.2904-008	Pero / Feder / Feather		1
4	30.4804-004	Hřídel / Welle / Shaft		1
5	30.4804-005	Trubka distanční / Distanzrohr / Distance tube		1
6	30.4804-006	Pero / Feder / Feather		1
7	90.005.55.034	šroub se šestihrannou hlavou / Sechskantschraube / Hex head screw	M12x40	8
8	90.011.27.009	Šroub zápuštný/ Countersunk screw / Senkschraube	M12x20	1
9	90.150.50.007	Podložka / Scheibe / Washer	d13 DIN 125	8
10	95.001.027	Kuličkové ložisko / Kugellager / Ball bearing	6309 2RS	2
11	99.002.012	Převodovka šneková / Schneckengetriebe / Worm gearbox	W110 U P100 814	1



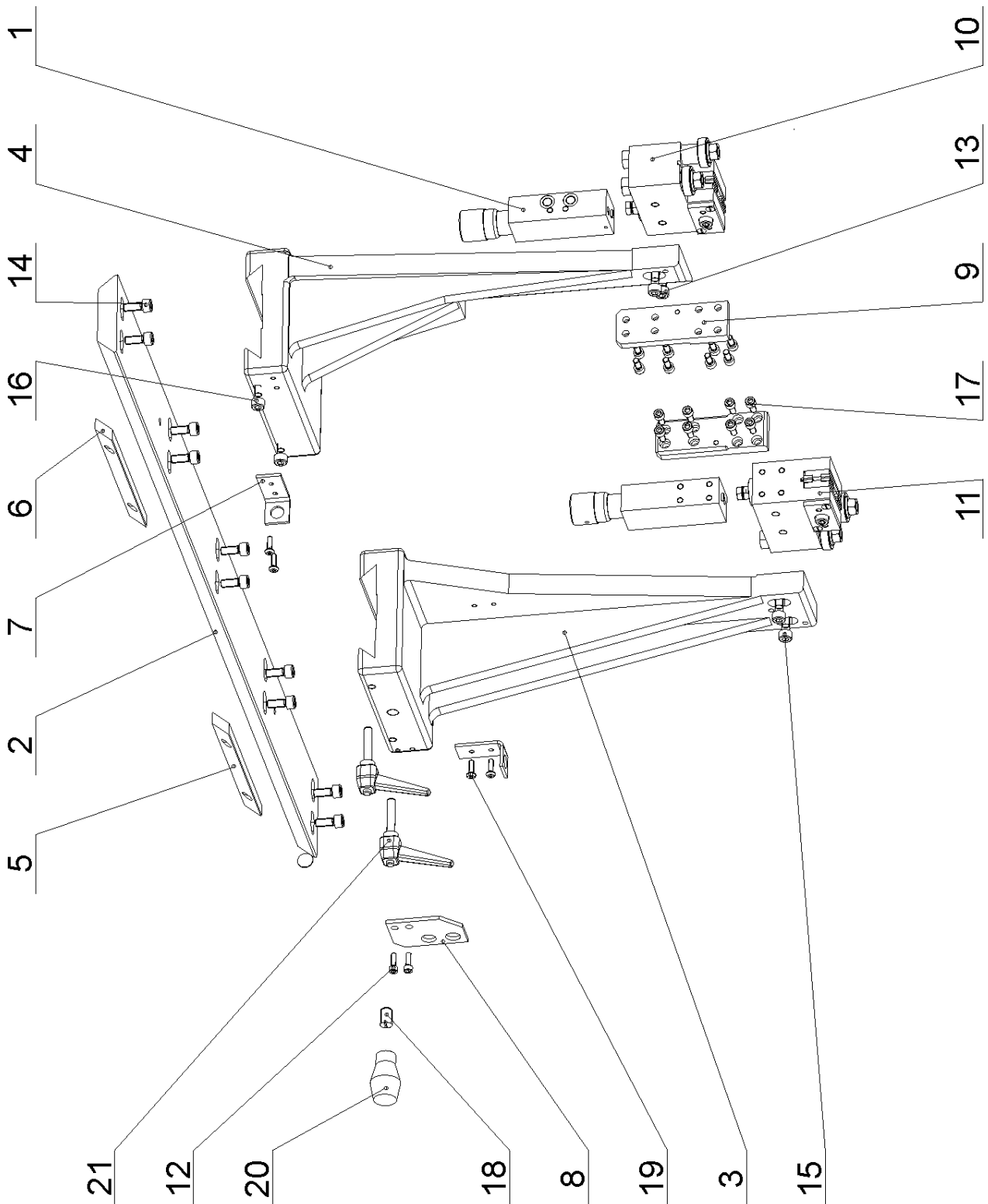
26.9. Zvedací válec / Hubzylinder / Lifting cylinder

Poz.	Objednací číslo	Název položky	ks
Pos.	Bestell - Nr.	Bezeichnung	Menge
Pos.	Reference No.	Item	Pcs.
1	30.0607-001	Válec / Zylinder / Cylinder	1
2	30.0807-003	Pístnice / Kolbenstange / Piston rod	1
3	30.0807-004	Píst / Kolben / Piston	1
4	30.0807-006	Držák pístnice / Halter Kolbenstange / Piston rod holder	1
5	30.0807-008	Držák válce / Halter / Cylinder holder	1
6	30.0807-009	Čep / Bolzen / Pivot	1
7	30.1807-001	Víko horní / Deckel / Top cover	1
8	30.1807-004	Víko spodní / Deckel / Bottom cover	1
9	30.1807-005	Šroubení / Schraubung / Screwing	1
10	30.4807-010	Trubka distanční / Distanzrohr / Distance tube	1
11	90.001.25.031	Šroub / Schraube / Screw M8x16 DIN 912 8.8	2
12	90.100.55.006	Maticе / Mutter / Nut M10 DIN 934 8.8	1
13	90.101.55.003	Maticе / Mutter / Nut M16 DIN 439 8.8	1
14	92.151.001	Ventil pojistný / Sicherungsventil / Retaining valve	1
15	95.700.003	Pouzdro / Buchse / Bush KU 20x15	1
16	95.801.011	Pojistný kroužek / Sicherungsring / Retaining ring Ø63 DIN 472	1
17	95.801.012	Pojistný kroužek / Sicherungsring / Retaining ring Ø65 DIN 472	1
18	95.801.024	Pojistný kroužek / Sicherungsring / Retaining ring Ø68 DIN 472	1
19	96.001.004	O-kroužek / O Ring / O Ring 10x2	1
20	96.001.015	O-kroužek / O Ring / O Ring 56x3.55	1
21	96.001.016	O-kroužek / O Ring / O Ring 60x2	1
22	96.002.010	O-kroužek / O Ring / O Ring 20x3	1
23	96.002.020	O-kroužek / O Ring / O Ring 56x3.5	1
24	96.060.002	Stírací kroužek / Abstreifring / Wiping ring 20x28	1
25	96.082.002	Těsnící kroužek / Dichtungsring / Sealing ring Cu 13/17	1



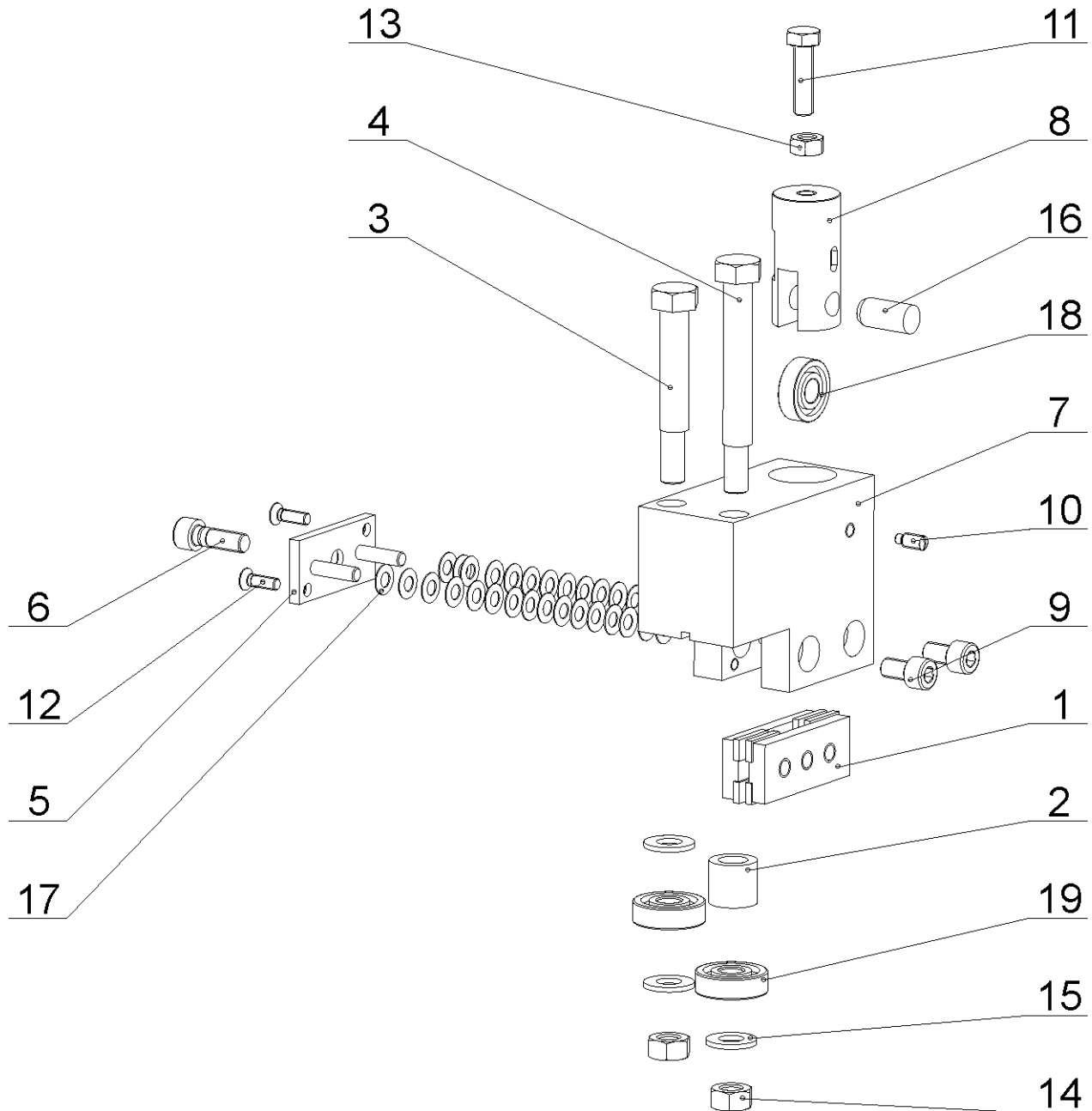
26.10. Napínání pilového pásu / Sägebandspannung / Saw band stretching

Poz.	Objednací číslo	Název položky	ks
Pos.	Bestell - Nr.	Bezeichnung	Menge
Pos.	Reference No.	Item	Pcs.
1	30.0808-001	Kostka napínání / Bandspannungswürfel / Stretching cube	1
2	30.0808-002	Lišta vodící / Führungsleiste / Guiding listel	2
3	30.0808-006	Lišta / Leiste / Listel	2
4	30.0808-007	Šroub / Schraube / Screw	1
5	30.1708-004	Držák šroubu / Schraubehalter / Screw holder	1
6	30.1808-001	Kolo napínací / Umlenkrad / Stretching wheel	1
7	30.1808-003	Čep napínání / Bolzen der Bandspannung / Stretching pivot	1
8	30.1808-004	Kroužek distanční / Distanzring / Distance ring	1
9	30.3508-002	Držák pružiny / Federhalter / Spring holder	1
10	30.3508-004	Kroužek měřicí / Meßring / Measuring ring	1
11	30.4008-001	Šroub napínání / Schraube Bandspannung / Stretching screw	1
12	90.001.25.053	Šroub / Schraube / Screw M10x55 DIN 912 8.8	6
13	90.001.25.056	Šroub / Schraube / Screw M12x20 DIN 912 8.8	1
14	90.002.2D.014	Šroub / Schraube / Screw M10x16 DIN 913 45H	1
15	90.100.55.005	Maticice / Mutter / Nut M8 DIN 934 8.8	1
16	90.151.50.002	Podložka / Scheibe / Washer Ø13 DIN 440	1
17	90.301.0Z.019	Válcový kolík / Zylinderstift / Cylindrical pin Ø16x80 DIN 7	1
18	90.350.0Z.002	Talířová pružina / Tellerfeder / Belleville spring 35.5x18.3x2.0x2.8	6
19	95.001.026	Ložisko / Lager / Bearing 6307 2RS	2
20	95.800.014	Pojistný kroužek / Sicherungsring / Retaining ring Ø35 DIN 471	1
21	95.801.013	Pojistný kroužek / Sicherungsring / Retaining ring Ø80 DIN 472	1

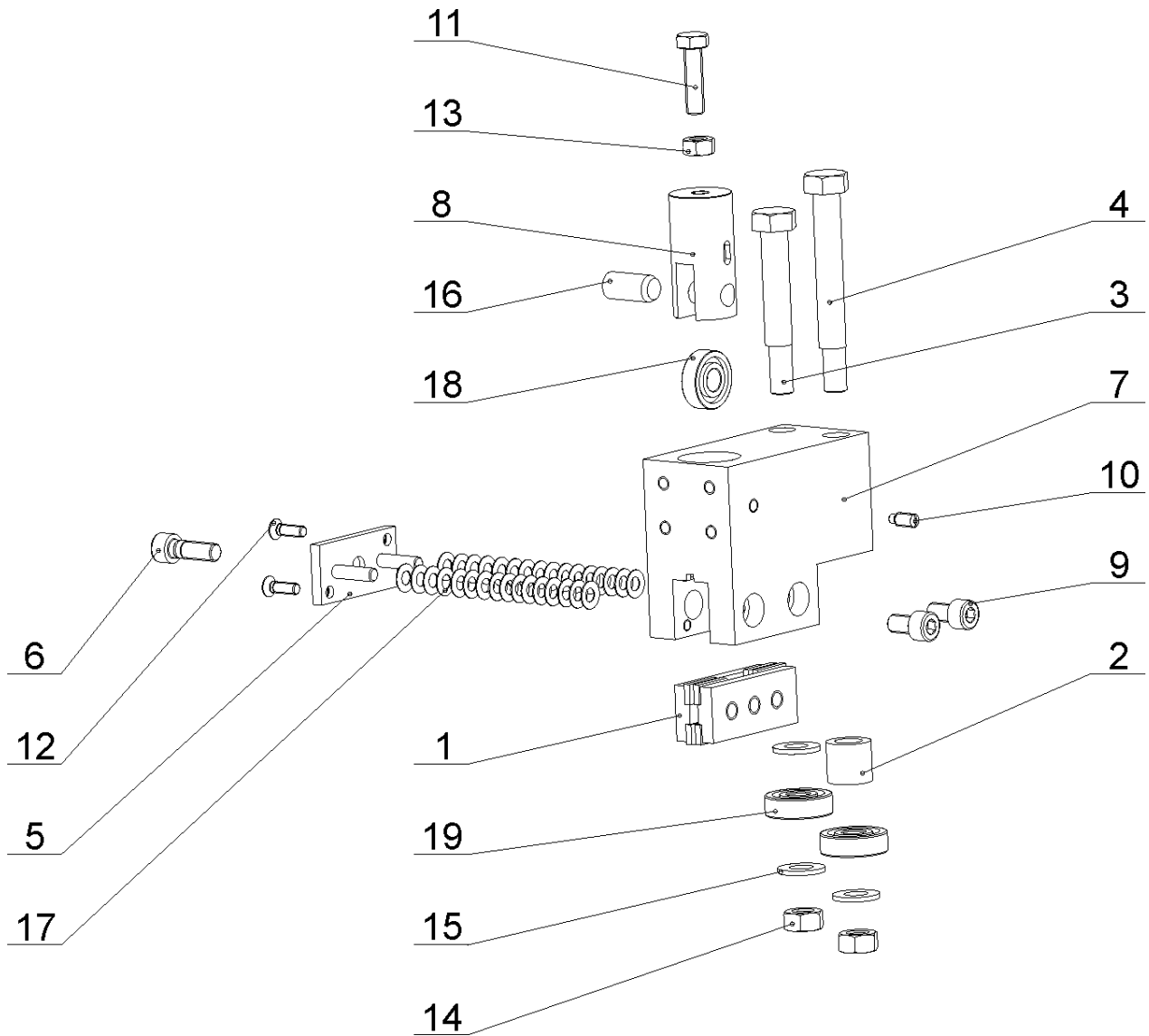


26.11. Vedení pilového pásu / Sägebandführung / Saw band guiding

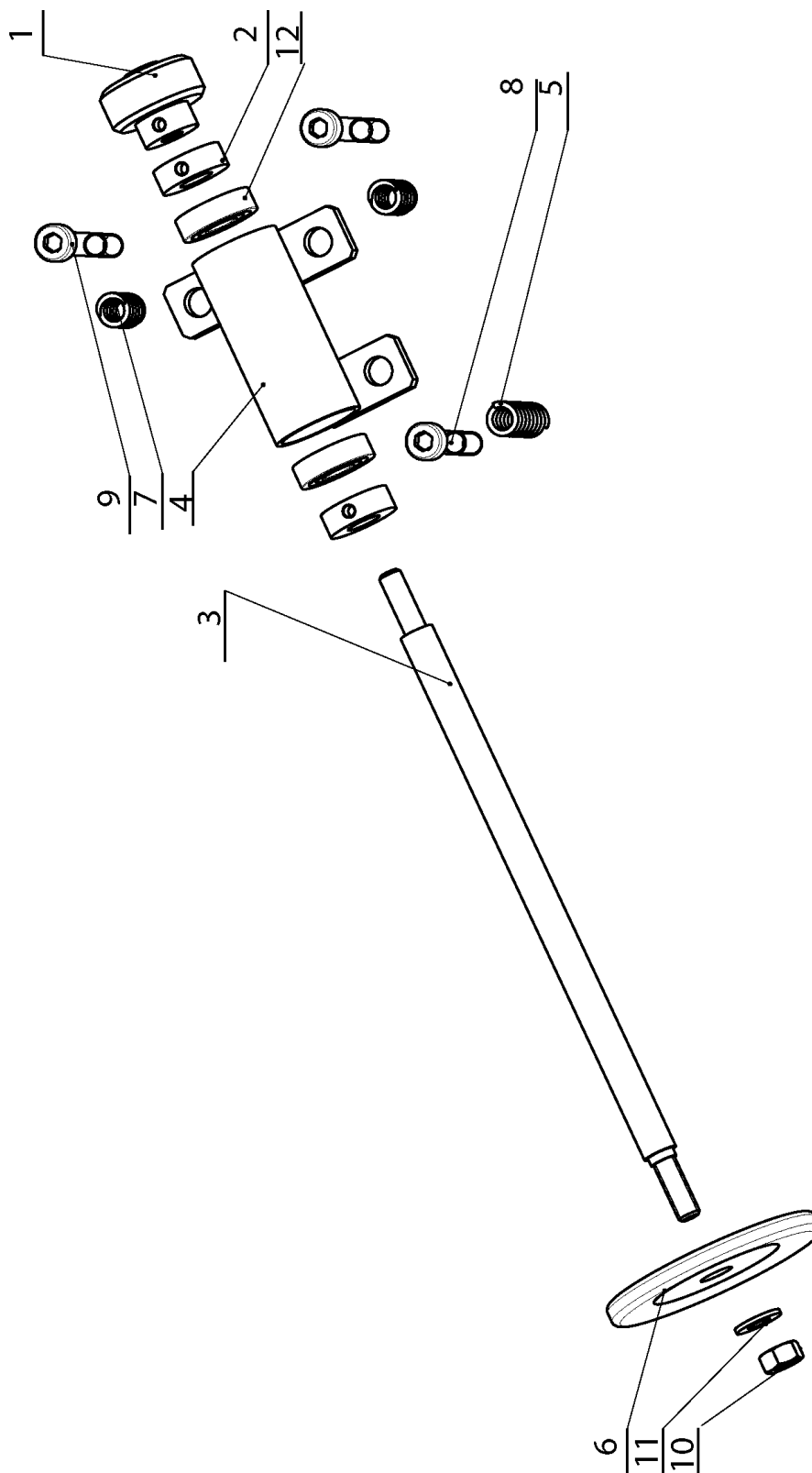
Poz.	Objednací číslo	Název položky	ks
Pos.	Bestell - Nr.	Bezeichnung	Menge
Pos.	Reference No.	Item	Pcs.
1	251.077	Regulace přítlaku / Schnittdruckregulierung / Cutting pressure regulation	2
2	30.0810-008	Vedení / Führung / Guide	1
3	30.1810-001	Levý držák vodící kostky / Linker Halter des Führungsklotzes / Left holder of guiding cube	1
4	30.1810-002	Pravý držák vodící kostky / Rechter Halter des Führungsklotzes / Right holder of guiding cube	1
5	30.1810-004	Lišta levého držáku / Linke Halterleiste / Left holder listel	1
6	30.1810-005	Lišta pravého držáku / Rechte Halterleiste / Right holder listel	1
7	30.1814-011	Držák ventilu / Ventilhalter / Valve holder	2
8	30.1816-210	Držák trubek / Halter / Tubes holder	1
9	30.2016-006	Deska / Platte / Plate	2
10	Viz. Výkres / Siehe Zeichnung / See drawing	Pravá vodící kostka / Rechter Führungsklotz / Right guiding cube	1
11	Viz. Výkres / Siehe Zeichnung / See drawing	Levá vodící kostka / Linker Führungsklotz / Left guiding cube	1
12	90.001.25.009	Šroub / Schraube / Screw M5x16 DIN 912 8.8	2
13	90.001.25.031	Šroub / Schraube / Screw M8x16 DIN 912 8.8	1
14	90.001.25.032	Šroub / Schraube / Screw M8x20 DIN 912 8.8	10
15	90.001.25.034	Šroub / Schraube / Screw M8x30 DIN 912 8.8	3
16	90.001.25.035	Šroub / Schraube / Screw M8x35 DIN 912 8.8	2
17	90.001.25.092	Šroub / Schraube / Screw M6x14 DIN 912 8.8	16
18	90.002.2D.018	Šroub / Schraube / Screw M12x20 DIN 913 45H	1
19	90.013.27.005	Šroub / Schraube / Screw M5x16 ISO 7380 10.9	4
20	94.002.001	Rukojeť kuželová / Griffschalter / Conical handle M12	1
21	94.008.003	Páka montážní / Klemmhebel / Assembly lever M8x40	2


26.12. Pravá vodící kostka / Rechter Führungsklotz / Right guiding cube

Poz.	Objednací číslo	Název položky	ks
Pos.	Bestell - Nr.	Bezeichnung	Menge
Pos.	Reference No.	Item	Pcs.
1	30.0810-005	Držák tvrdokovu / HM-Halter / HM holder	2
2	30.0810-007	Trubka ložiska / Lagerrohr / Bearing tube	1
3	30.0810-009	Excentr / Exzenter / Excenter	1
4	30.0810-010	Excentr / Exzenter / Excenter	1
5	30.0810-103	Deska vodící / Führungsplatte / Guiding plate	1
6	30.0810-104	Šroub / Schraube / Screw	1
7	30.1810-101	Kostka vodící pravá / Rechte Führungsplatte / Right guiding cube	1
8	30.1810-102	Držák ložiska pravý / Rechter Lagerhalter / Right bearing holder	1
9	90.001.25.029	Šroub / Schraube / Screw M8x12 DIN 912 8.8	2
10	90.004.2D.002	Šroub / Schraube / Screw M6x12 DIN 915 45H	1
11	90.005.55.017	Šroub / Schraube / Screw M8x30 DIN 933 8.8	1
12	90.011.27.022	Šroub / Schraube / Screw M5x16 DIN 7991 10.9	2
13	90.100.55.005	Matice / Mutter / Nut M8 DIN 934 8.8	1
14	90.100.55.006	Matice / Mutter / Nut M10 DIN 934 8.8	2
15	90.150.50.006	Podložka / Scheibe / Washer Ø10,5 DIN 125	3
16	90.301.0Z.009	Válcový kolík / Zylinderstift / Cylindrical pin 10x26 DIN 7	1
17	90.350.0Z.001	Talířová pružina / Tellerfeder / Belleville spring 12.5x6.2x0.5	32
18	95.001.004	Ložisko / Lager / Bearing 6000 2RS	1
19	95.001.014	Ložisko / Lager / Bearing 6200 2RS	2


26.13. Levá vodící kostka / Linker Führungsklotz / Left guiding cube

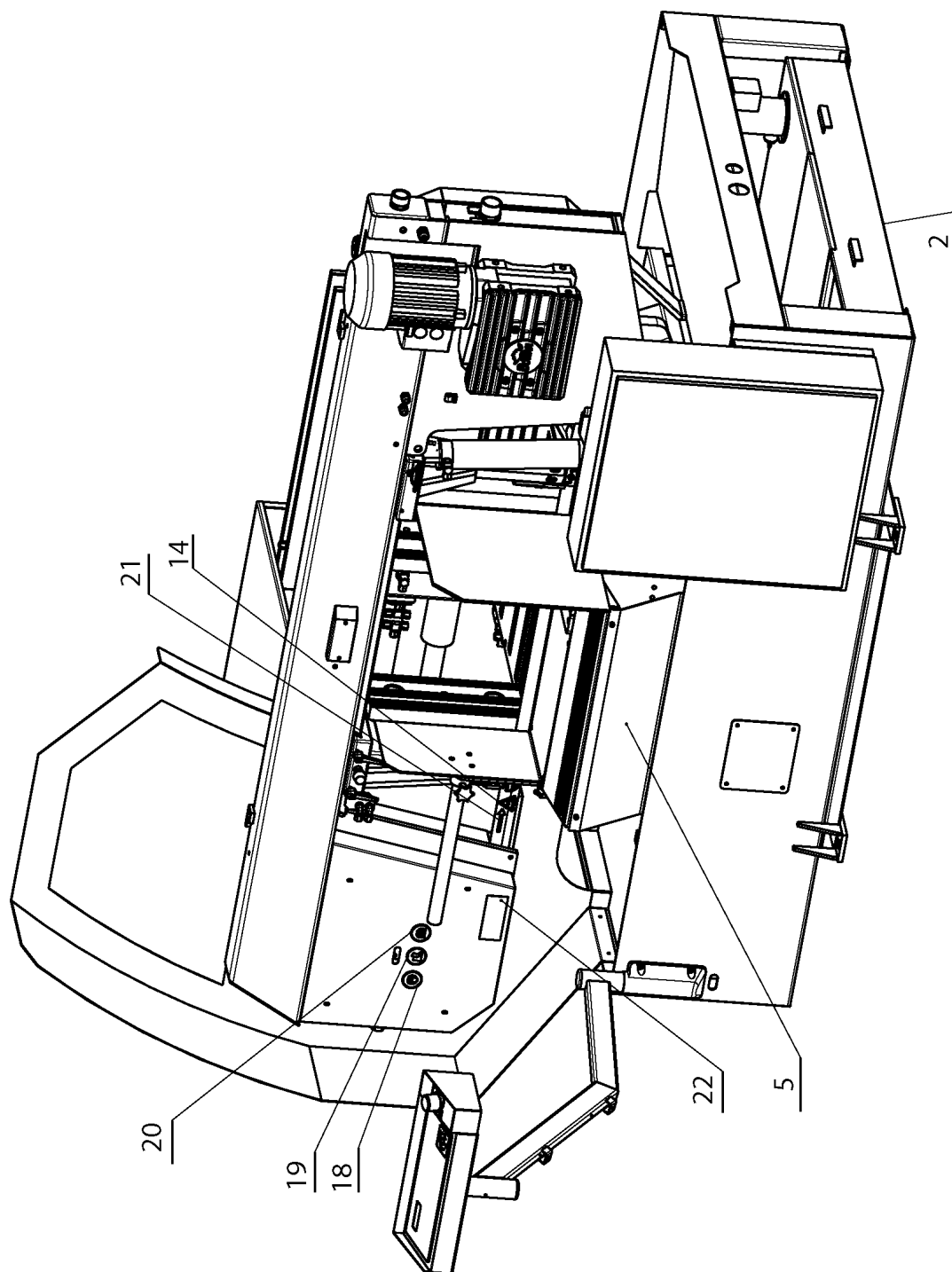
Poz.	Objednací číslo	Název položky	ks
Pos.	Bestell - Nr.	Bezeichnung	Menge
Pos.	Reference No.	Item	Pcs.
1	30.0810-005	Držák tvrdokovu / HM-Halter / HM holder	2
2	30.0810-007	Trubka ložiska / Lagerrohr / Bearing tube	1
3	30.0810-009	Excentr / Exzenter / Excenter	1
4	30.0810-010	Excentr / Exzenter / Excenter	1
5	30.0810-103	Deska vodící / Führungsplatte / Guiding plate	1
6	30.0810-104	Šroub / Schraube / Screw	1
7	30.1810-201	Kostka vodící levá / Linke Führungsplatte / Left guiding cube	1
8	30.1810-202	Držák ložiska levý / Linker Lagerhalter / Left bearing holder	1
9	90.001.25.029	Šroub / Schraube / Screw M8x12 DIN 912 8.8	2
10	90.004.2D.002	Šroub / Schraube / Screw M6x12 DIN 915 45H	1
11	90.005.55.017	Šroub / Schraube / Screw M8x30 DIN 933 8.8	1
12	90.011.27.022	Šroub / Schraube / Screw M5x16 DIN 7991 10.9	2
13	90.100.55.005	Matice / Mutter / Nut M8 DIN 934 8.8	1
14	90.100.55.006	Matice / Mutter / Nut M10 DIN 934 8.8	2
15	90.150.50.006	Podložka / Scheibe / Washer Ø10,5 DIN 125	3
16	90.301.0Z.009	Válcový kolík / Zylinderstift / Cylindrical pin 10x26 DIN 7	1
17	90.350.0Z.001	Talířová pružina / Tellerfeder / Belleville spring 12.5x6.2x0.5	32
18	95.001.004	Ložisko / Lager / Bearing 6000 2RS	1
19	95.001.014	Ložisko / Lager / Bearing 6200 2RS	2



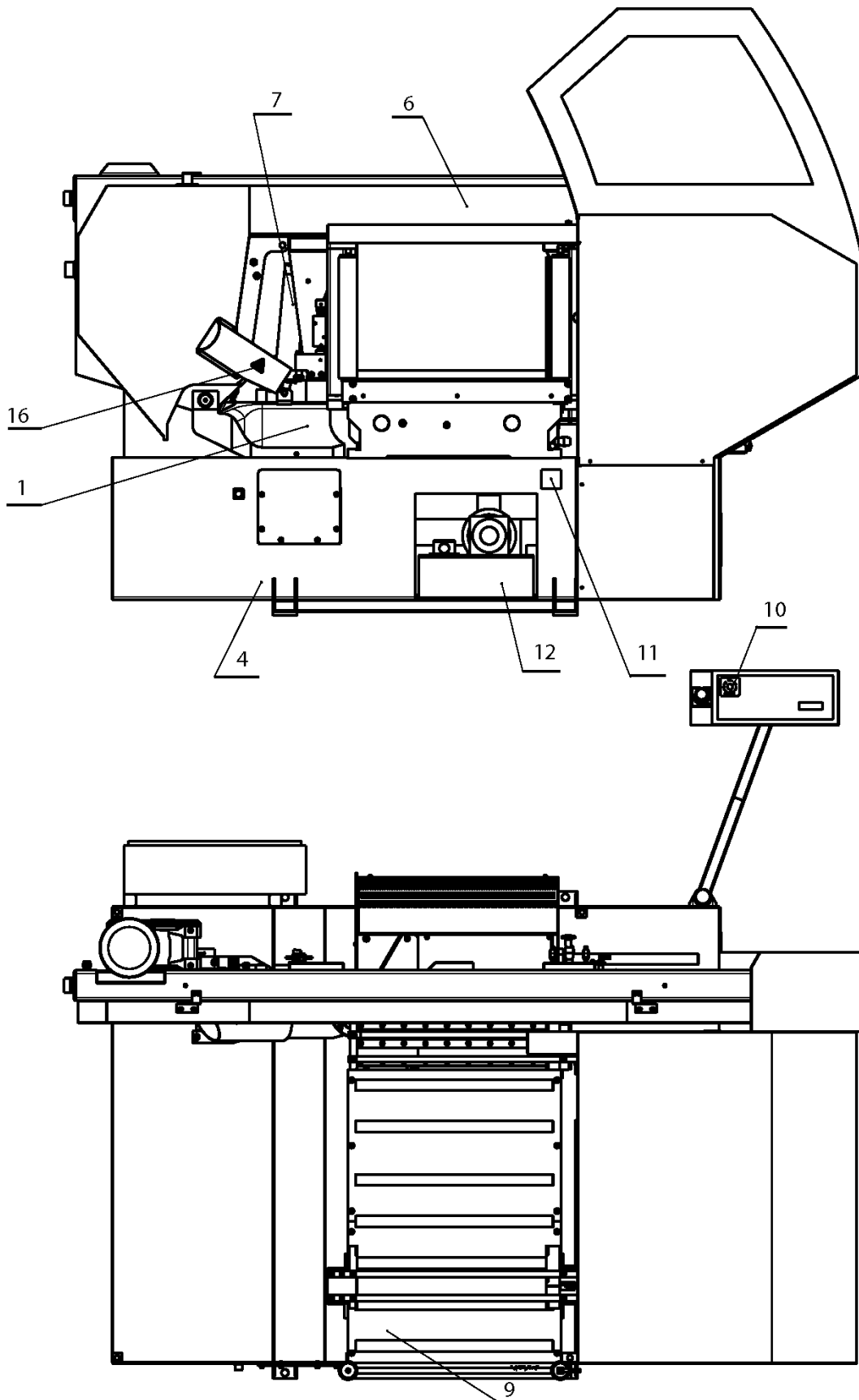
26.14. Kartáček / Spänebürste / Brush

Poz.	Objednací číslo	Název položky		ks
Pos.	Bestell - Nr.	Bezeichnung		Menge
Pos.	Reference No.	Item		Pcs.
1	30.0814-204	Kolečko / Rolle / Wheel		1
2	30.0814-207	Kroužek / Ring / Ring		2
3	30.4814-402	Hřídel / Welle / Shaft		1
4	30.9214-301	Držák / Halter / Holder		1
5	31.0305-211	Pružina / Feder / Spring		1
6	31.0814-208	Kartáček / Bürste / Brush		1
7	31.1506-115	Pružina / Feder / Spring		2
8	90.001.25.038	Šroub / Schraube / Screw	M8x50 DIN 912 8,8	1
9	90.001.25.040	Šroub / Schraube / Screw	M8x60 912 8,8	2
10	90.100.55.005	Maticе / Mutter / Nut	M8 DIN 934	1
11	90.150.50.005	Podložka / Scheibe / Washer	Zn d 8,4	1
12	95.001.005	Kuličkové ložisko / Kugellager / Ball bearing	6001 2RS	2

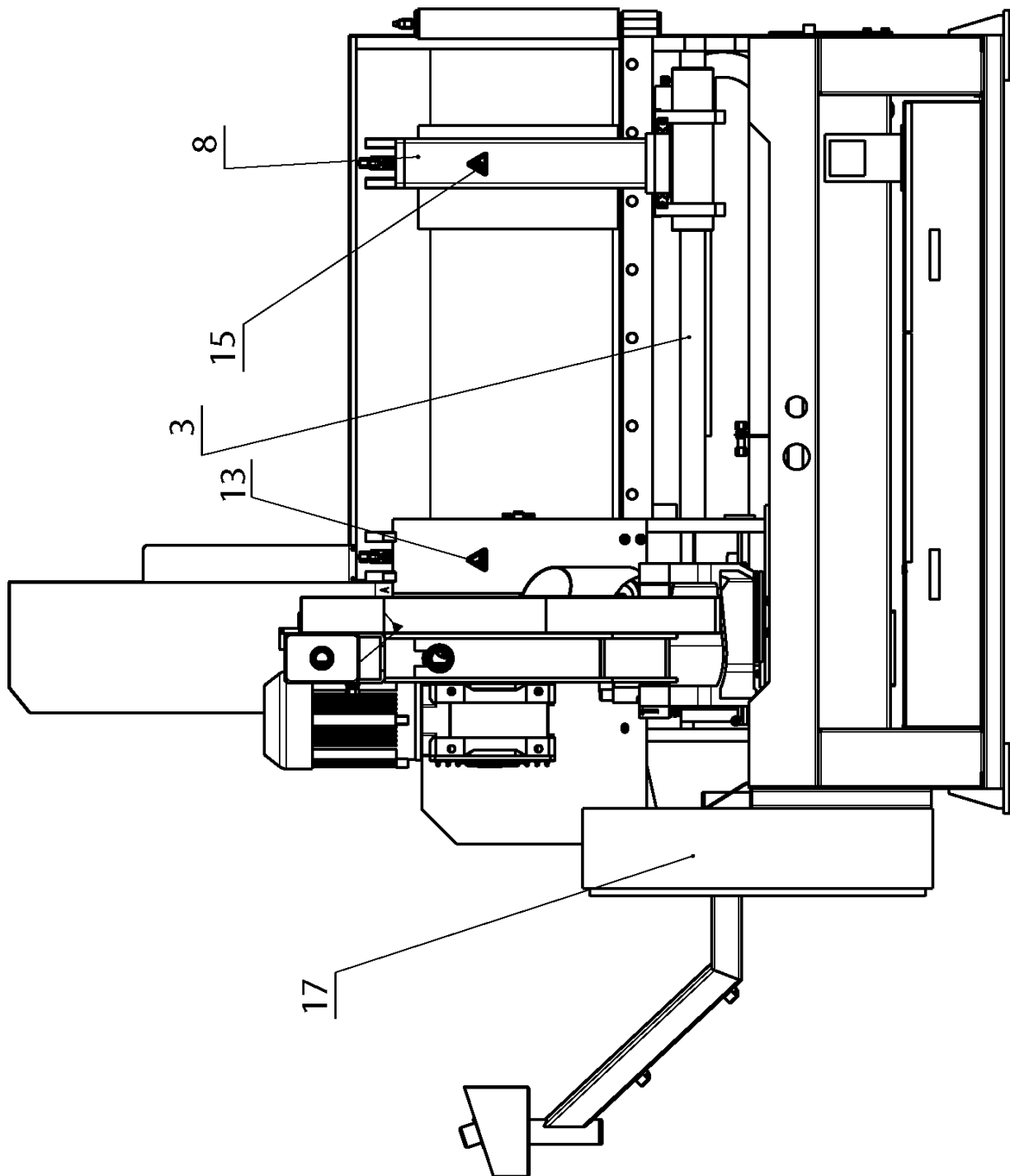
27. Umístění bezpečnostních značek / Verteilung der Sicherheitszeichen / Position of safety symbols



27.1. Pila / Bandsäge / Band saw 1



Pila / Bandsäge / Band saw 2



Pila / Bandsäge / Band saw 3

Poz.	Objednáací číslo	Název položky		ks
Pos.	Bestell - Nr.	Bezeichnung		Menge
Pos.	Reference No.	Item		Pcs.
1	201.2902-000	Konzola / Konsole / Console		1
2	201.2906-100	Chlazení / Kühlung / Cooling		1
3	201.3507-100	Válec / Zylinder / Cylinder		1
4	201.4801-000	Podstavec / Untergestell / Pedestal		1
5	201.4803-000	Svěrák / Schraubstock / Vice		1
6	201.4804-050	Rameno / Sägerahmen / Saw arm		1
7	201.4807-100	Válec / Zylinder / Cylinder		1
8	201.4811-000	Podavač / Vorschub / Feeder		1
9	201.4811-300	Válečková trať / Rollenbahn / Roll conveyor		1
10	30.0599-008	Štítek / Schild / Label		1
11	31.4099-001	Štítek / Schild / Label		1
12	92.001.015	Agregat/ Aggregat/ Aggregate		1
13	99.900.039	Samolepka / Aufkleber / self-adhesive label	NS-Nebezpečí stlačení / Pressungsgefahr / Danger of pressing	1
14	99.900.040	Samolepka / Aufkleber / self-adhesive label	NR-Nebezpečí říznutí / Schnittgefahr / Danger of ker	1
15	99.900.041	Samolepka / Aufkleber / self-adhesive label		1
16	99.900.043	Samolepka / Aufkleber / self-adhesive label	NZ- Nebezpečí zachycení / Erfassungsgefahr / Danger of interception	1
17	99.900.046	Samolepka / Aufkleber / self-adhesive label	HV-Hlavní vypínač / Hauptschalter / Main switch	1
18	99.900.047	Samolepka / Aufkleber / self-adhesive label	OBS-Noste ochranné brýle a sluchátka / Tragen Sie eine Schutzbrille und Gehörschutz / Wear protective goggles and headphones	1
19	99.900.048	Samolepka / Aufkleber / self-adhesive label	PO-Noste pevnou pracovní obuv / Tragen Sie Sicherheitsschuhe / Wear fixed protective shoes	1
20	99.900.049	Samolepka / Aufkleber / self-adhesive label	CZ-Přečíst návod k použití / Bedienungsanleitung lesen / read the operating instructions	1
21	99.900.053	Samolepka / Aufkleber / self-adhesive label	Směr šípka/ Richtung / direction	1
22	99.900.055	Samolepka / Aufkleber / self-adhesive label	Zajištění ramene	1