

# **BOMAR**<sup>®</sup>

Operating Instructions for Band Saw

## ***transverse 510.330 GANC***



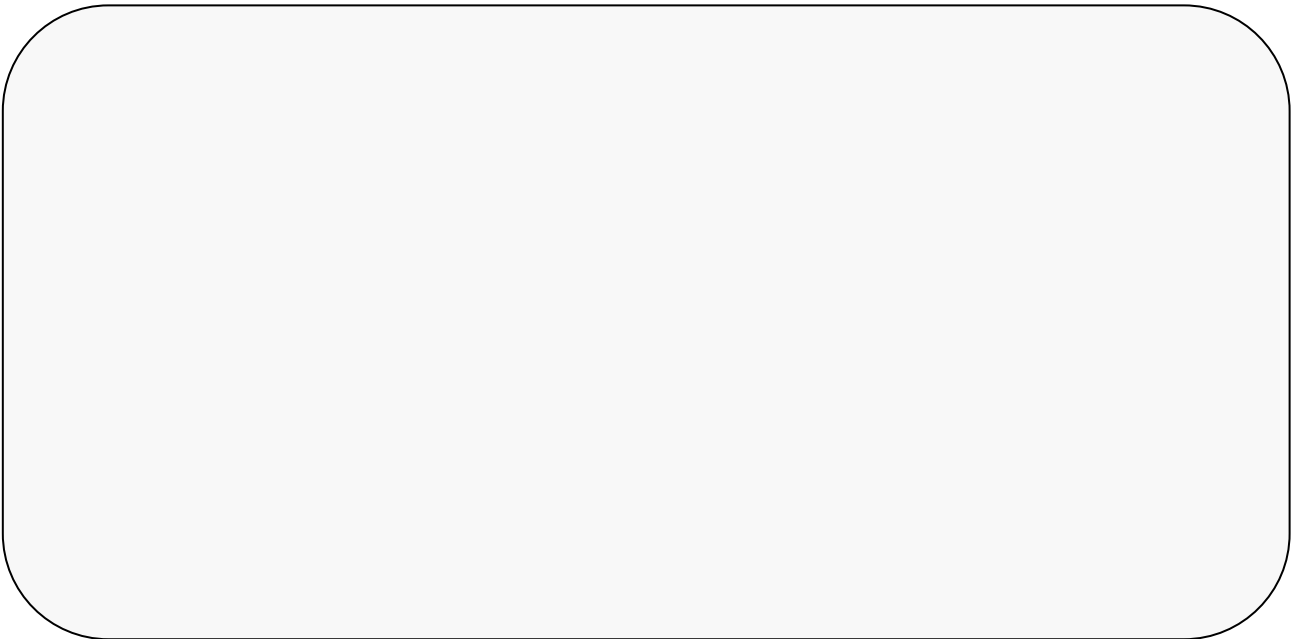
**Before transporting and using the machine, please read the instructions thoroughly!**

Serial number:



## Service and Information

In case of technical difficulties or spare parts order, please contact your dealer:



Or contact Bomar, spol. s r.o. directly:

**BOMAR, spol. s r.o.**  
Těžební 1236/1  
62700 Brno  
CZECH REPUBLIC

Telefon: +420 – 533 426 100  
Fax: +420 – 533 426 109

e-mail: [info@bomar.cz](mailto:info@bomar.cz)  
WWW: <http://www.bomar.cz>

We are available Mondays to Fridays from 7<sup>00</sup> to 16<sup>00</sup>.

Version 1.07 / October 2006  
BOMAR, spol. s r.o. © - Subject to modifications and amendments

# Content

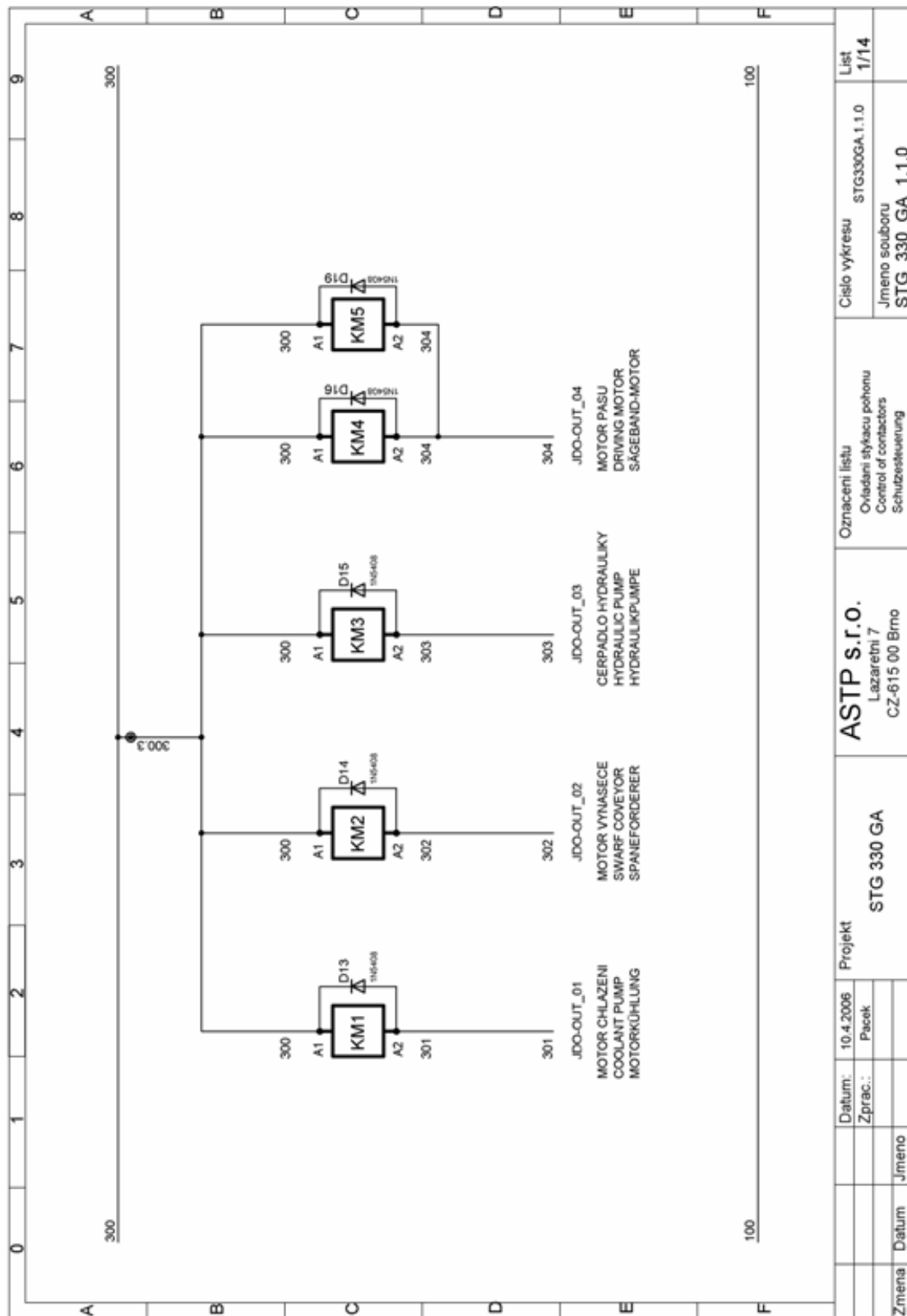
<b>1. INTRODUCTION .....</b>	<b>7</b>
<b>2. BAND SAW USING .....</b>	<b>7</b>
<b>3. TECHNICAL DATA.....</b>	<b>8</b>
<b>4. SAFETY NOTES .....</b>	<b>9</b>
4.1. GENERAL .....	9
4.2. PROTECTIVE SUIT AND PERSONAL SAFETY.....	9
4.3. SAFETY NOTES FOR MACHINE OPERATOR .....	10
4.4. SAFETY NOTES FOR THE SERVICING AND REPAIRS .....	12
4.5. SAFETY MACHINE ACCESSORIES.....	12
<b>5. TRANSPORTATION AND STOCKING .....</b>	<b>14</b>
5.1. CONDITIONS FOR TRANSPORTATION AND STOCKING .....	14
5.2. SAFETY NOTES .....	14
5.3. TRANSPORT AND STOCKING PREPARATIONS .....	15
5.4. TRANSPORT AND STOCKING.....	15
<b>6. ACTIVATION .....</b>	<b>16</b>
6.1. MACHINE WORKING CONDITIONS.....	16
6.2. MACHINE INSTALLING AND LEVELLING .....	16
6.3. ELECTRICAL CONNECTION .....	17
6.4. FILLING OF THE COOLING SYSTEM.....	18
6.5. CHECK MACHINE FUNCTIONS .....	19
<b>7. CONTROL PANEL – DESCRIPTION.....</b>	<b>20</b>
<b>8. STARTING THE BAND SAW.....</b>	<b>23</b>
8.1. SWITCH ON THE BAND SAW .....	23
8.2. FEEDER REFERENCE POSITION.....	23
<b>9. MATERIAL INSERTION.....</b>	<b>24</b>
9.1. SAFETY NOTES .....	24
9.2. HANDLING AGENT SELECTION .....	24
9.3. MATERIAL INSERTION .....	24
9.4. BUNDLE MATERIAL CUTTING .....	25
<b>10. BAND SAW ADJUSTING.....</b>	<b>26</b>
10.1. SAFETY NOTES .....	26
10.2. ANGULAR CUT SETTING .....	26
10.3. OPTIMAL ADJUSTING OF THE GUIDE CUBES SPAN .....	27
10.4. CUTTING SPEED ADJUSTMENT .....	27
10.5. SWARF CONVEYOR OPERATION .....	27
10.6. PRESSURE ADJUSTING TO THE CUT .....	28
<b>11. SEMI-AUTOMATIC CYCLE.....</b>	<b>29</b>
11.1. SAFETY NOTES .....	29
11.2. SEMI-AUTOMATIC MODE .....	29
11.3. CYCLE BREAKING .....	29

11.4.	SPEED ADJUSTING OF THE ARM LOWERING .....	30
<b>12.</b>	<b>AUTOMATIC MODE .....</b>	<b>31</b>
12.1.	SAFETY NOTES .....	31
12.2.	CYCLE PRESET .....	31
12.2.1.	<i>Preset</i> .....	31
12.2.2.	<i>Program storing</i> .....	32
12.2.3.	<i>Program selection</i> .....	32
12.2.4.	<i>Editing</i> .....	33
12.2.5.	<i>New Preselection inserting</i> .....	33
12.2.6.	<i>Clearing memory</i> .....	34
12.3.	AUTOMATIC CYCLE WITH MATERIAL CUTTING.....	35
12.4.	AUTOMATIC CYCLE WITHOUT MATERIAL CUTTING .....	36
12.5.	CYCLE BREAKING .....	36
12.6.	SETTING THE SPEED OF THE SAW ARM LOWERING .....	37
<b>13.</b>	<b>SERVICE MENU .....</b>	<b>38</b>
13.1.	ENTRANCE TO SERVICE MENU .....	38
13.2.	VICE PARAMETERS.....	38
13.3.	COOLING PARAMETERS.....	38
13.3.1.	<i>Cooling type</i> .....	38
13.3.2.	<i>Cooling mode</i> .....	39
13.4.	CUTTING PARAMETERS .....	39
13.5.	SWARF CONVEYOR OPERATION .....	40
13.6.	MACHINE PARAMETERS.....	40
13.7.	LANGUAGE .....	41
13.8.	LENGTH UNITS SELECTION.....	41
13.9.	REGULATOR .....	41
13.10.	LENGTH CORRECT .....	41
13.11.	SERVICE MENU CLOSING .....	42
<b>14.</b>	<b>BLANKS REMOVING FROM THE BAND SAW .....</b>	<b>43</b>
14.1.	SAFETY NOTES .....	43
14.2.	HANDLING AGENT SELECTION .....	43
14.3.	BLANKS REMOVING .....	43
<b>15.</b>	<b>SELECTION AND REPLACEMENT OF THE SAW BAND .....</b>	<b>44</b>
15.1.	SAFETY NOTES .....	44
15.2.	SAW BAND SIZE .....	44
15.3.	SELECTION OF THE SAW BAND TOOTH SYSTEM: .....	44
15.4.	SAW BAND RUNNING - IN .....	46
15.5.	SAW BAND DISMANTLING.....	47
15.6.	SAW BAND INSTALLATION .....	48
15.7.	SAW BAND STRETCHING AND INSPECTION.....	49
15.7.1.	<i>Saw band stretching</i> .....	49
15.7.2.	<i>Saw band inspection</i> .....	49
<b>16.</b>	<b>COOLING AGENTS AND CHIPS DISPOSAL.....</b>	<b>50</b>
16.1.	SAFETY NOTES .....	50
16.2.	COOLING LIQUID PREPARATION .....	50
16.3.	COOLANT DEVICE INSPECTION .....	51
16.4.	CHIPS DISPOSAL .....	52
<b>17.</b>	<b>GREASES AND OILS .....</b>	<b>53</b>

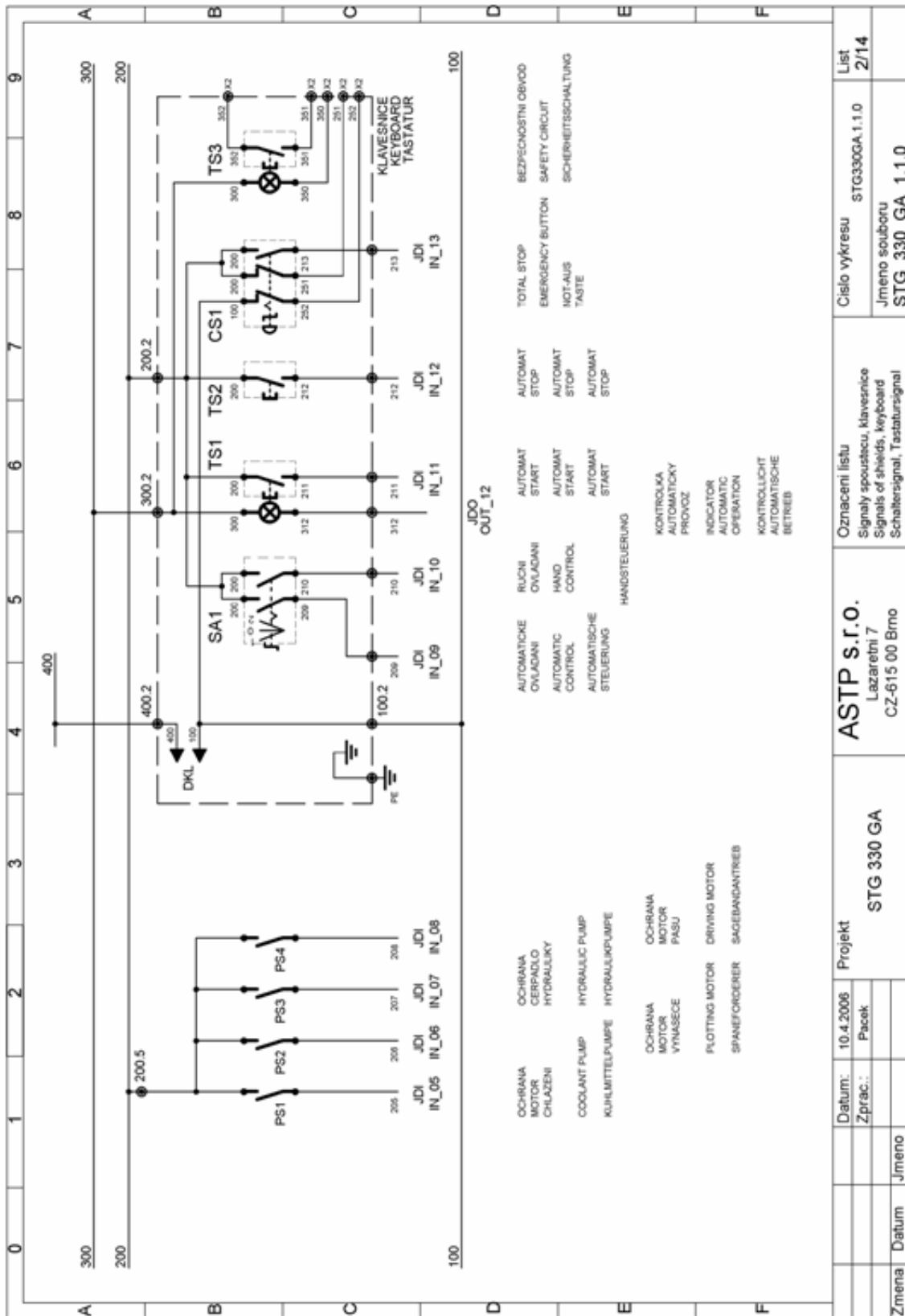
17.1.	GEARBOX OILS .....	53
17.2.	HYDRAULIC OILS .....	54
17.3.	LUBRICANT GREASES .....	54
<b>18.</b>	<b>SERVICE .....</b>	<b>55</b>
18.1.	MACHINE CLEANING .....	55
18.2.	LUBRICATION .....	55
18.3.	COOLING LIQUID INSPECTION .....	55
18.4.	HYDRAULIC OIL LEVEL CHECK .....	56
<b>19.</b>	<b>ADJUSTMENT .....</b>	<b>57</b>
19.1.	GUIDING CUBES ADJUSTMENT .....	57
19.2.	HARD METAL GUIDES ADJUSTMENT .....	57
19.3.	SAW BAND RUN ADJUSTMENT ON STRETCHING WHEEL .....	58
19.4.	BRUSH ADJUSTMENT .....	59
19.5.	ADJUSTING OF THE LIMIT SWITCH OF THE SAW BAND STRETCHING .....	59
19.6.	SAW FRAME LOWER POSITION STOP ADJUSTMENT .....	60
19.7.	LIMIT SWITCH ADJUSTMENT OF THE SAW FRAME LOWER POSITION .....	60
19.8.	ADJUSTMENT OF THE SECURING CUBE OF THE TURNING LEVER .....	61
19.9.	PRESSURE SWITCH ADJUSTMENT .....	62
19.10.	PRESSURE ADJUSTMENT OF THE HYDRAULIC SYSTEM .....	63
19.11.	ADJUSTMENT OF THE CUTTING PRESSURE REGULATION .....	64
19.12.	ADJUSTMENT OF A THROTTLE VALVE .....	65
<b>20.</b>	<b>WORN PIECES REPLACEMENT .....</b>	<b>66</b>
20.1.	HARD METAL GUIDES REPLACEMENT .....	66
20.2.	PUSHING BEARING REPLACEMENT .....	68
20.3.	FIXED BEARING REPLACEMENT OF THE SAW BAND GUIDING .....	70
20.4.	SAW BAND GUIDING PULLEYS REPLACEMENT .....	71
20.5.	ROUND BRUSH REPLACEMENT .....	73
20.6.	VARIATOR BAND REPLACEMENT .....	74
20.7.	STRETCHING WHEEL REPLACEMENT .....	76
20.8.	DRIVING WHEEL REPLACEMENT .....	78
20.9.	COOLING PUMP REPLACEMENT .....	79
<b>21.</b>	<b>ROZMĚROVÉ SCHÉMA / AUFSTELLZEICHNUNG / INSTALLATION DIAGRAM .....</b>	<b>80</b>
<b>22.</b>	<b>ELEKTRICKÁ SCHÉMATA / ELEKTROSCHEMAS / WIRING DIAGRAMS .....</b>	<b>82</b>
<b>23.</b>	<b>KUSOVNÍK ELEKTROSOUČÁSTÍ / STÜCKLISTE DER ELEKTROTEILEN / PIECE LIST OF ELEKTROPARTS .....</b>	<b>96</b>
<b>24.</b>	<b>HYDRAULICKÁ SCHÉMATA / HYDRAULIKSCHEMA / HYDRAULIC DIAGRAM .....</b>	<b>97</b>
<b>25.</b>	<b>VÝKRESY SESTAV PRO OBJEDNÁNÍ NÁHRADNÍCH DÍLŮ / ZEICHNUNGEN FÜR BESTELLUNG DER ERSATZTEILE / DRAWING ASSEMBLIES FOR SPARE PARTS ORDER .....</b>	<b>101</b>
25.1.	OTOČNÁ KONZOLA / DREHKONSOLE / TURNING CONSOLE .....	102
25.2.	RAMENO / SÄGERAHMEN / SAW ARM .....	104
25.3.	VARIÁTOR / VARIATOR / VARIATOR .....	107
25.4.	NASTAVOVACÍ JEDNOTKA / VERSTELLEINHEIT-VARIATOR / ADJUSTING UNIT .....	109
25.5.	NAPÍNÁNÍ PILOVÉHO PÁSU / BANDSPANNUNG / SAW BAND STRETCHING .....	111
25.6.	ZVEDACÍ VÁLEC / HUBZYLINDER / LIFTING CYLINDER - 251.171 .....	113
25.7.	VEDENÍ PILOVÉHO PÁSU / SÄGEBANDFÜHRUNG / SAW BAND GUIDING .....	115

25.8.	PŘAVÁ VODÍCÍ KOSTKA / RECHTER FÜHRUNGSKLOTZ / RIGHT GUIDING CUBE .....	117
25.9.	LEVÁ VODÍCÍ KOSTKA / LINKER FÜHRUNGSKLOTZ / LEFT GUIDING CUBE .....	119
25.10.	KARTÁČEK / SPÄNBÜRSTE / BRUSH.....	121
25.11.	ŘEMENICE KARTÁČKU / BÜRSTENRIEMENSCHLEIBE / BRUSH BAND-WHEEL .....	123
25.12.	PODÁVACÍ SVĚRÁK / VORSCHUBSCHRAUBSTOCK / FEEDING VICE.....	125
25.13.	VÁLEČKOVÁ TRÁŤ / ROLLENBAHN / ROLLER CONVEYOR .....	129
25.14.	HLAVNÍ SVĚRÁK / HAUPTSCHRAUBSTOCK / MAIN VICE .....	131
25.15.	UPÍNACÍ VÁLEC / SPANNZYLINDER / CLAMPING CYLINDER - 251.076 .....	133
25.16.	VÁLEC PODAVAČE / VORSCHUBZYLINDER / FEEDING CYLINDER - 251.075.....	135
<b>26.</b>	<b>TROUBLESHOOTING TABLE.....</b>	<b>138</b>
26.1.	MECHANICAL PROBLEMS .....	138
26.2.	ELECTRIC AND HYDRAULIC PROBLEMS .....	140
<b>27.</b>	<b>SPECIAL ACCESSORY.....</b>	<b>142</b>
27.1.	BUNDLING SYSTEM .....	142
27.2.	VICE PRESSURE REGULATION .....	142
27.3.	FREQUENCY CONVERTER.....	142
27.4.	MICRONISER.....	142
27.5.	TENZOMAT .....	142
<b>28.</b>	<b>ROLLER CONVEYORS AND ACCESSORIES .....</b>	<b>143</b>
28.1.	ROLLER CONVEYORS OF D TYPE .....	143
28.1.1.	<i>Roller conveyors .....</i>	<i>143</i>
28.1.2.	<i>Length stops.....</i>	<i>143</i>
28.1.3.	<i>Feeding machines.....</i>	<i>144</i>
28.1.4.	<i>Connection parts .....</i>	<i>144</i>
28.1.5.	<i>Connection sets.....</i>	<i>144</i>
28.1.6.	<i>Accessories of roller conveyors .....</i>	<i>145</i>
28.1.7.	<i>Connection schema of the roller conveyors to the band saw.....</i>	<i>146</i>
28.2.	ROLLER CONVEYORS OF H TYPE .....	149
28.2.1.	<i>Roller conveyors .....</i>	<i>149</i>
28.2.2.	<i>Roller conveyors prepared for powering .....</i>	<i>149</i>
28.2.3.	<i>Power and control units for powered conveyors .....</i>	<i>150</i>
28.2.4.	<i>Length stops.....</i>	<i>151</i>
28.2.5.	<i>Connection parts .....</i>	<i>152</i>
28.2.6.	<i>Connection sets.....</i>	<i>152</i>
28.2.7.	<i>Accessories of roller conveyors .....</i>	<i>152</i>
28.2.8.	<i>Covers.....</i>	<i>153</i>
28.2.9.	<i>Connection schema of the roller conveyors to the band saw.....</i>	<i>154</i>
<b>DECLARATION OF CONFORMITY.....</b>		<b>157</b>

## 22. Elektrická schémata / Elektroschemas / Wiring diagrams

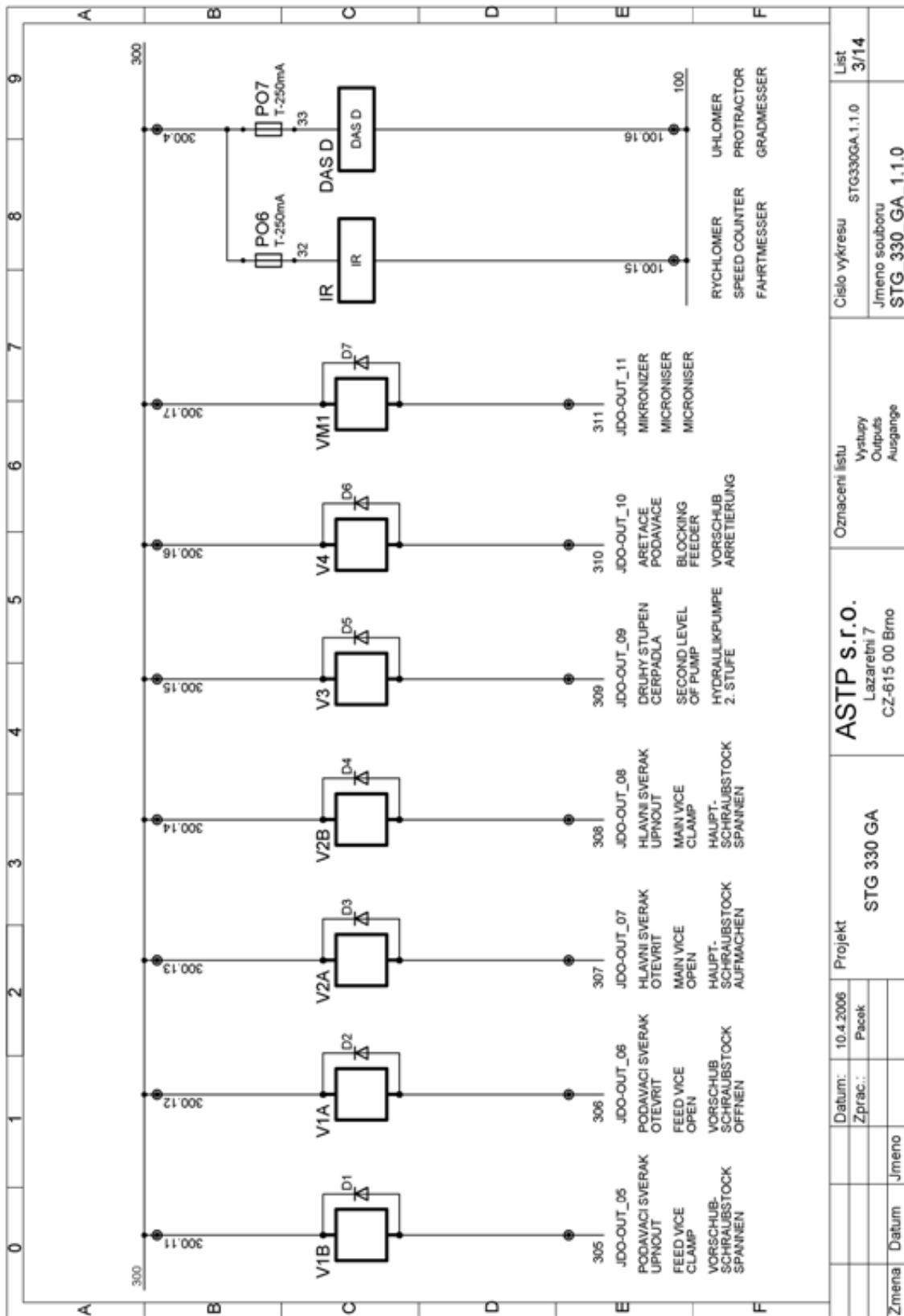


Elektrické schéma / Elektroschema / Wiring diagram 1

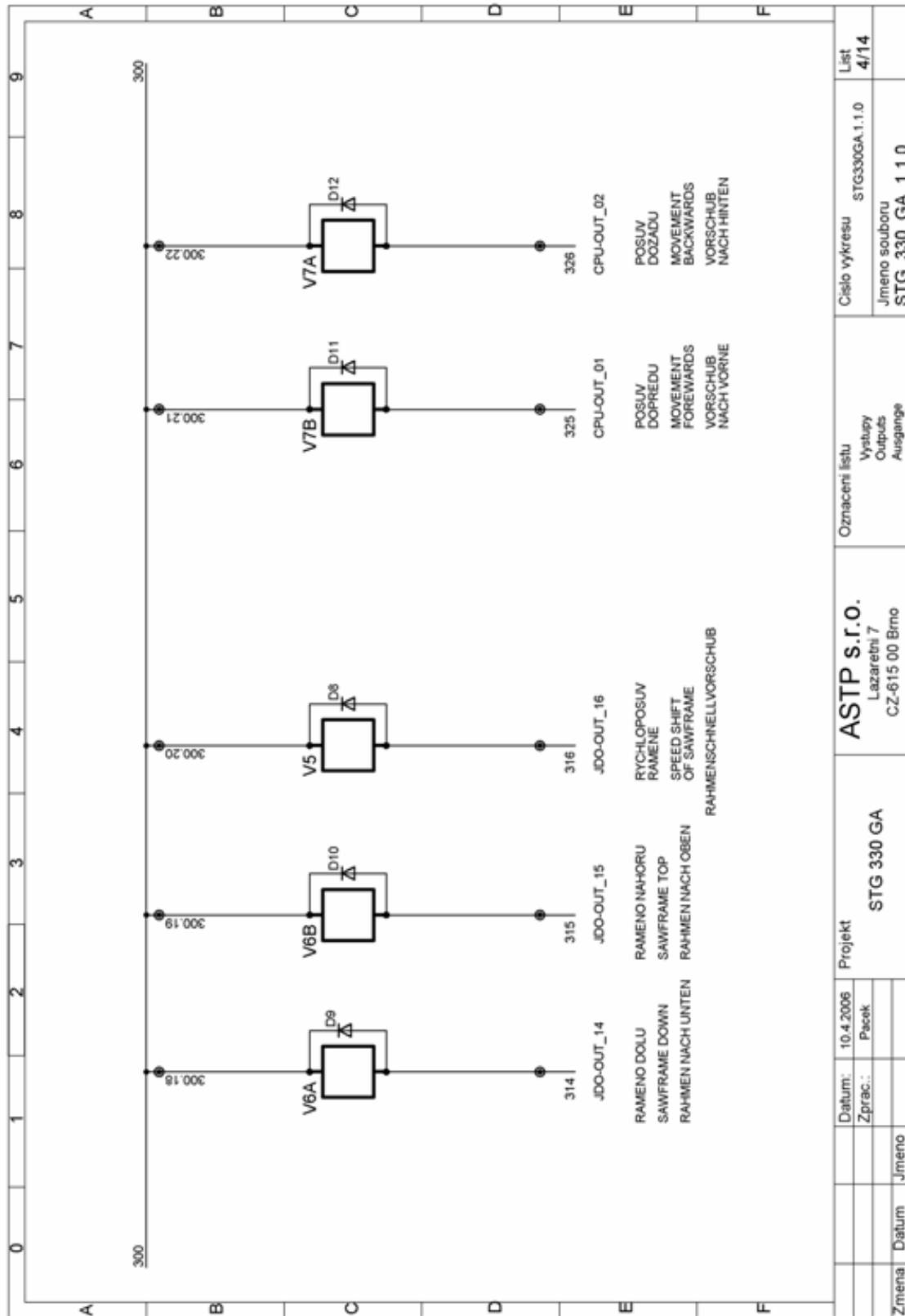


Elektrické schéma / Elektroschema / Wiring diagram 2

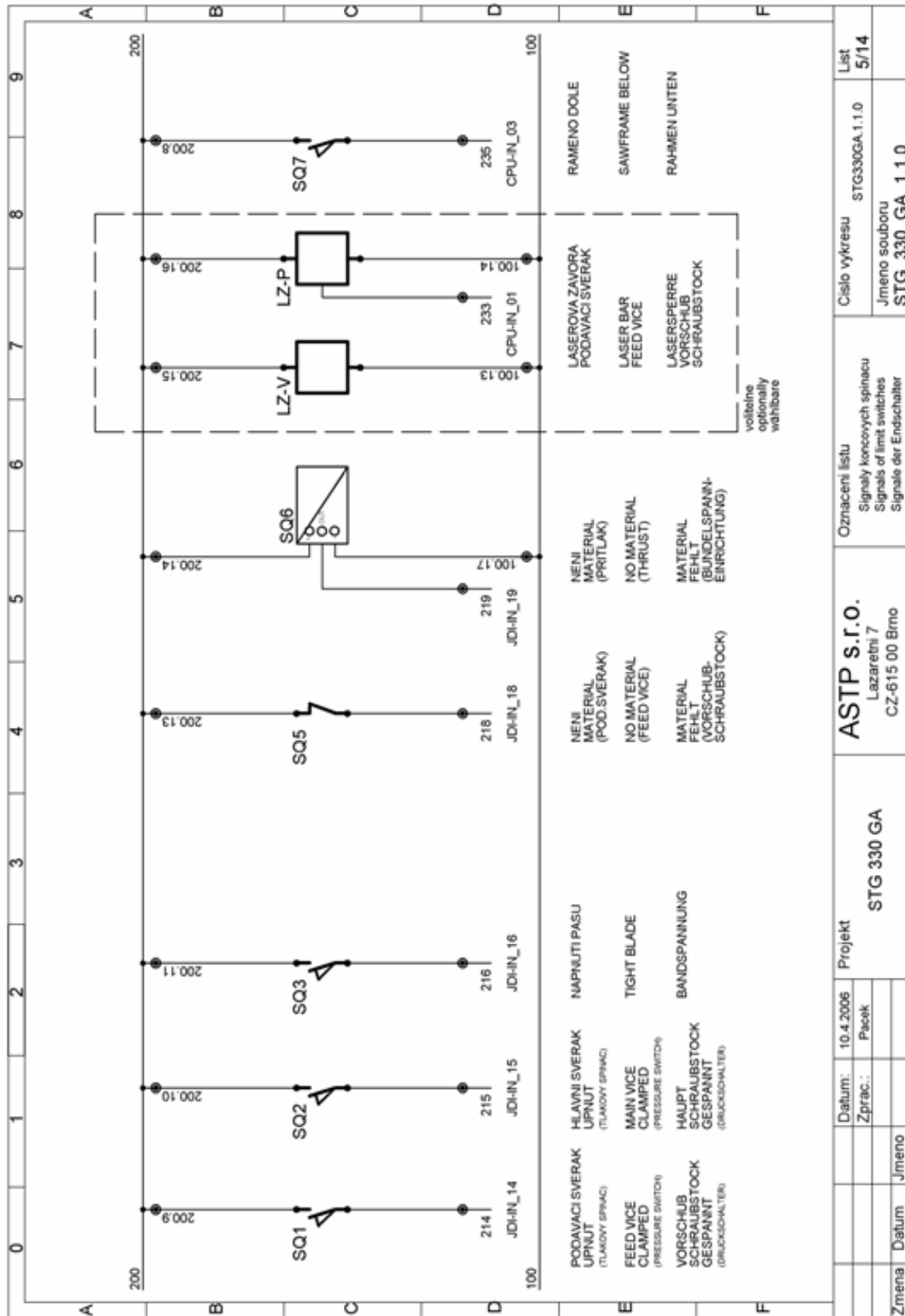




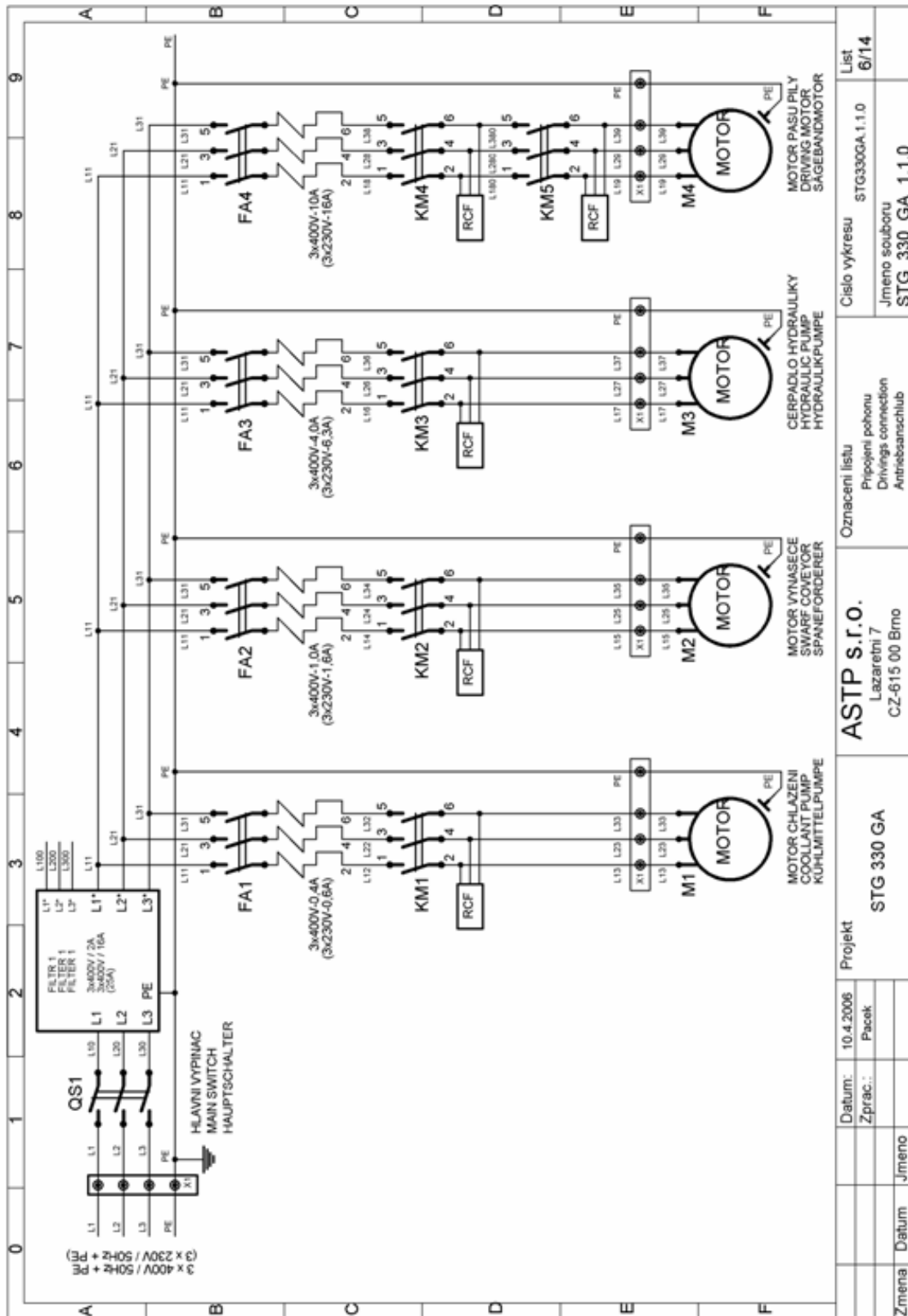
Elektrické schéma / Elektroschema / Wiring diagram 3



Elektrické schéma / Elektroschema / Wiring diagram 4



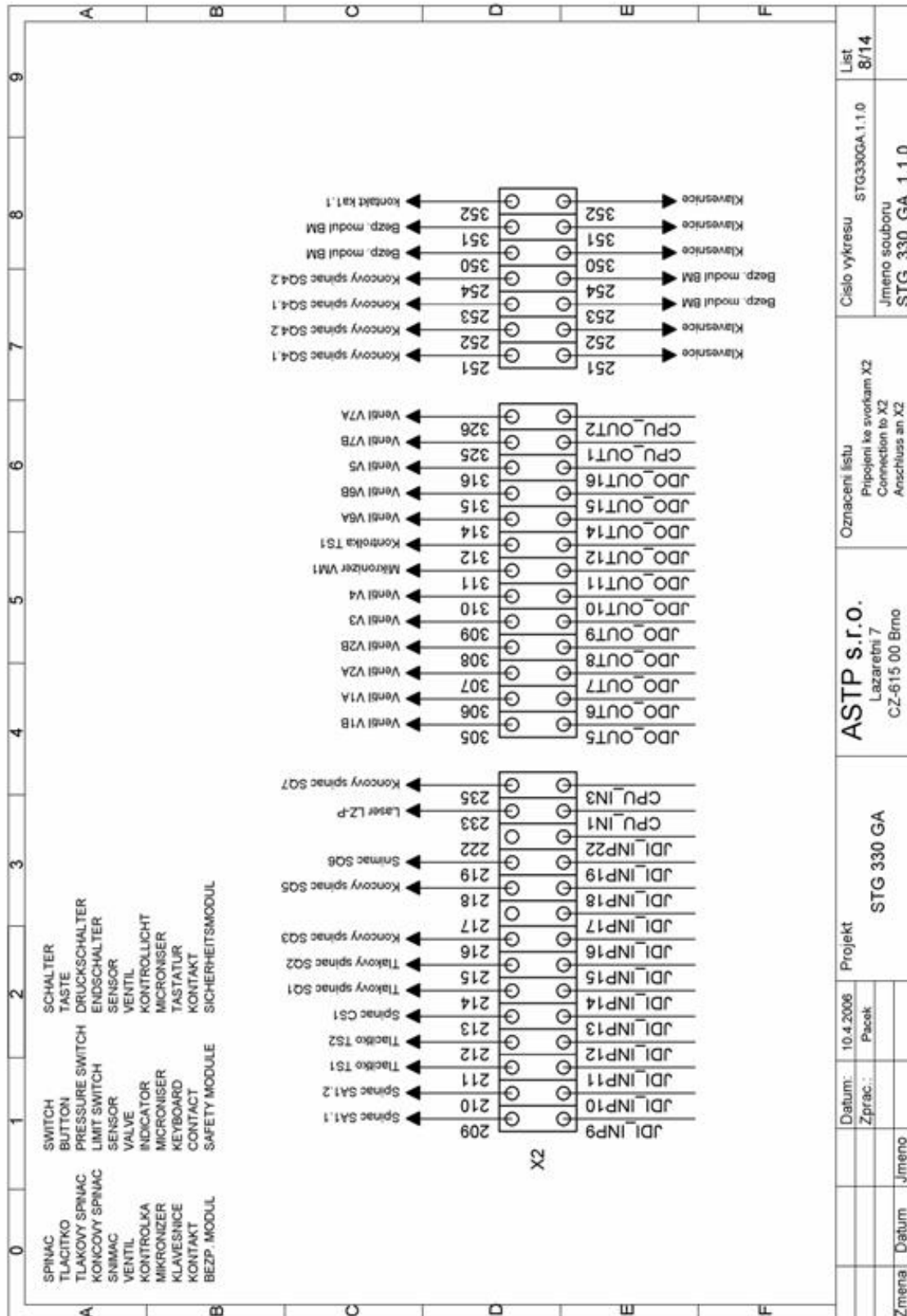
Elektrické schéma / Elektroschema / Wiring diagram 5



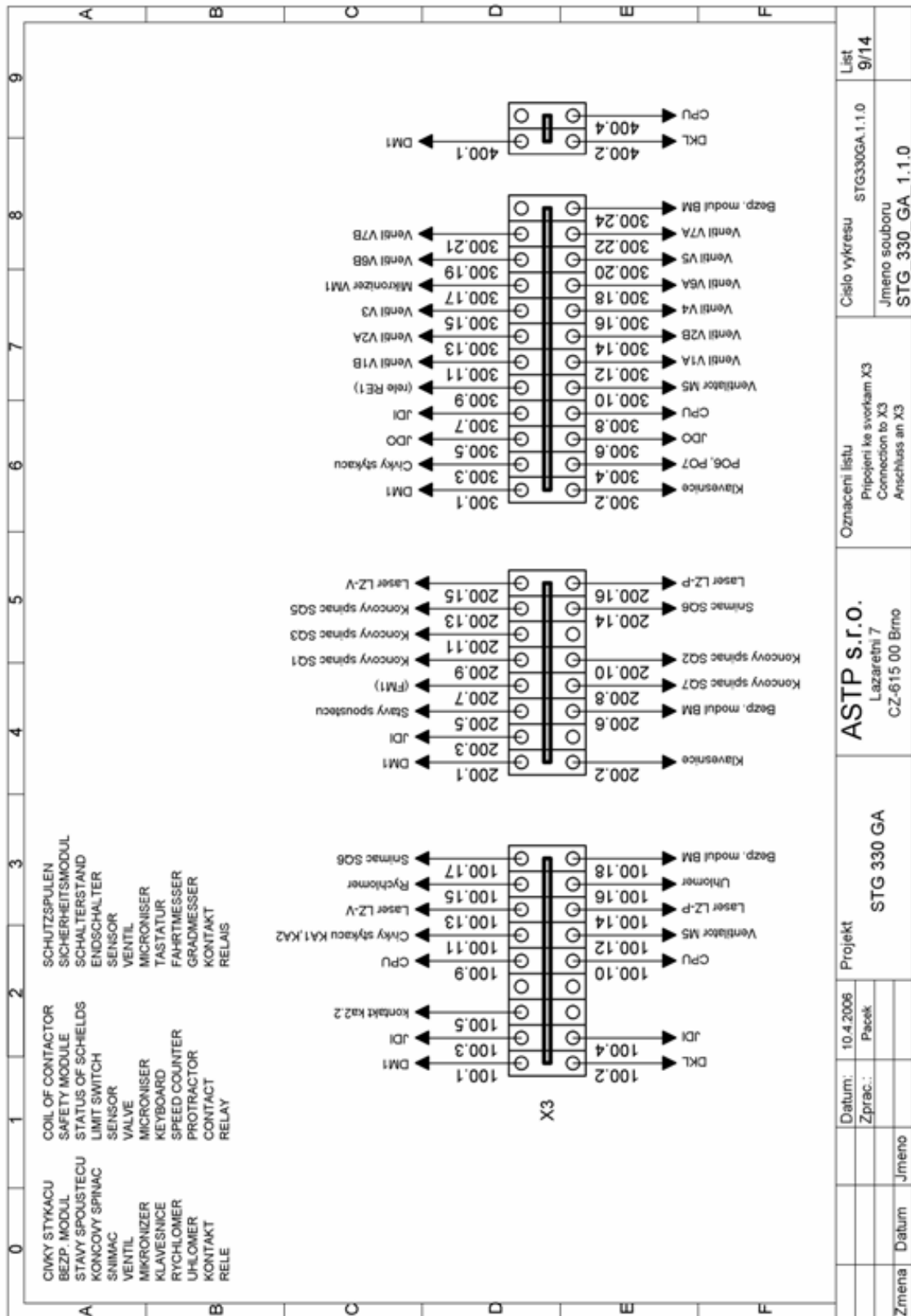
Projekt		ASTP s.r.o.		Oznaceni listu		Cislo vykresu		List	
Datum: 10.4.2006		Lazaretni 7		Pripojeni pohonu		STG330GA.1.1.0		6/14	
Zprac.: Pacak		CZ-615 00 Brno		Drivings connection		Jmeno souboru		STG_330_GA_1.1.0	
Zmena	Datum	Jmeno							

Elektrické schéma / Elektroschema / Wiring diagram 6

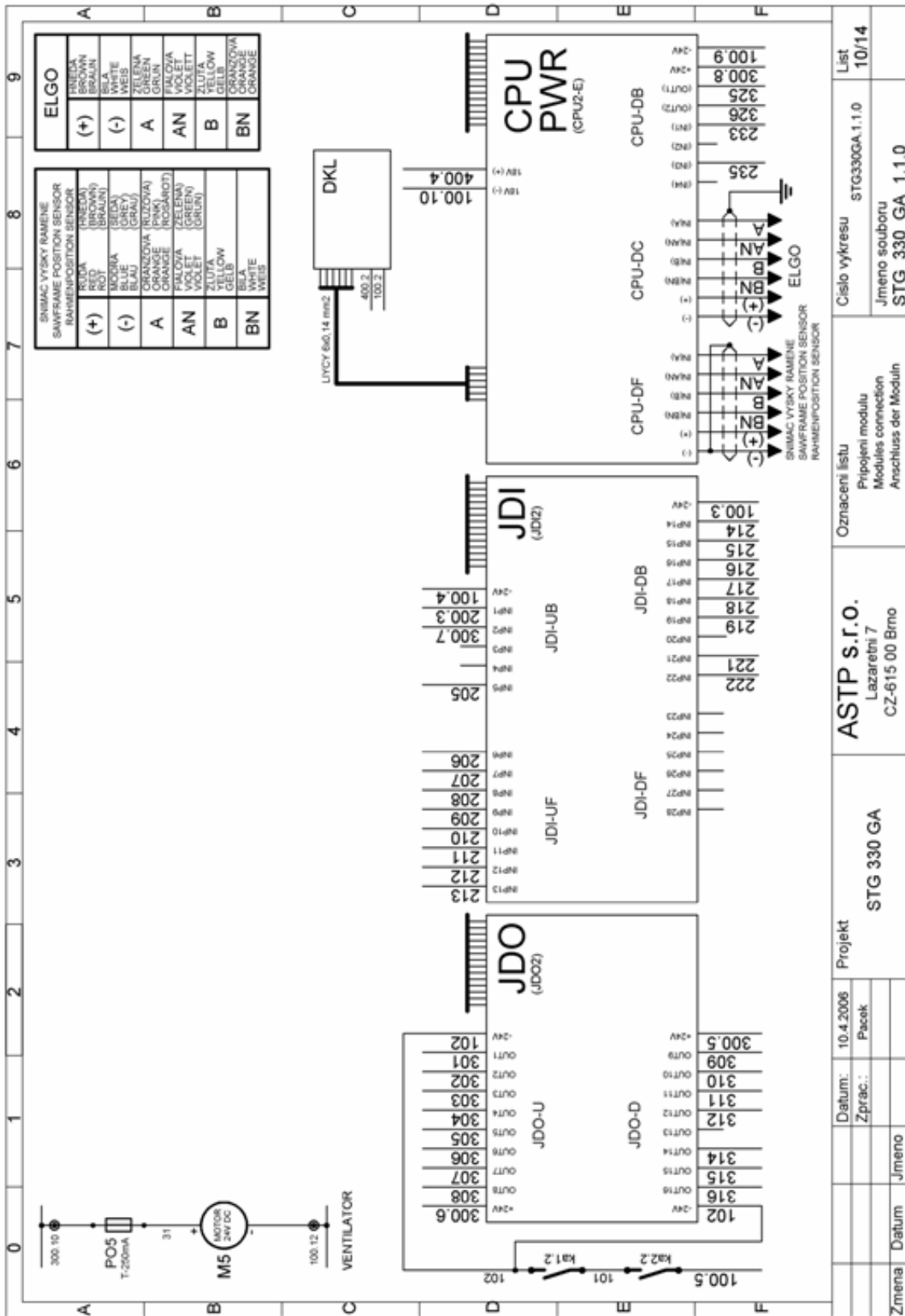




Elektrické schéma / Elektroschema / Wiring diagram 8

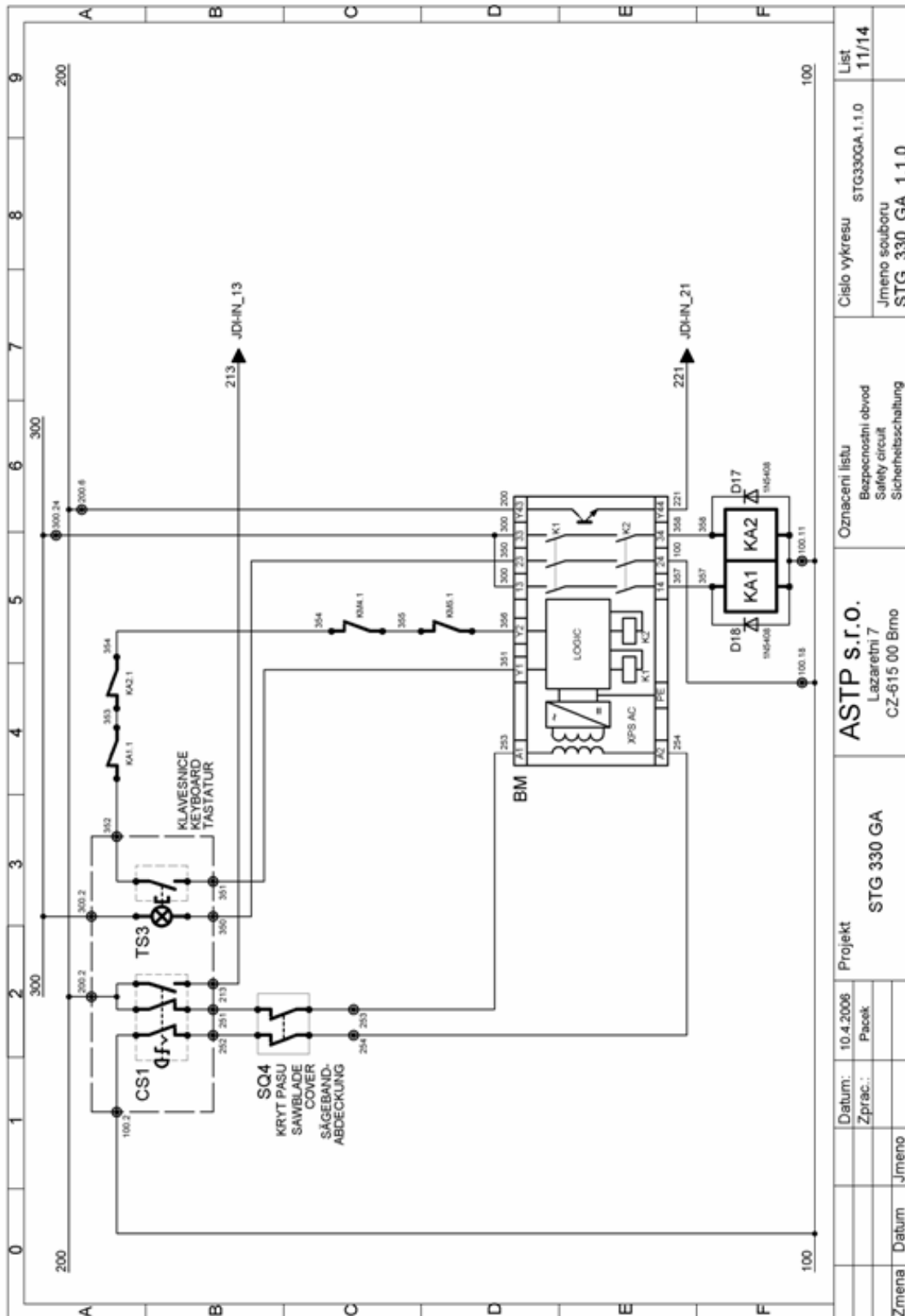


Elektrické schéma / Elektroschema / Wiring diagram 9



Elektrické schéma / Elektroschema / Wiring diagram 10





Elektrické schéma / Elektroschema / Wiring diagram 11

	0	1	2	3	4	5	6	7	8	9		
A	<b>JDO - Signalizace stavu vstupu</b> 16 Aktivovat rychloposuv ramene 15 Aktivovat rameno nahoru 14 Aktivovat rameno dolu 13 12 Aktivovat kontrolku automat. režimu 11 Aktivovat mikronizer 10 Aretovat podavac 9 Aktivovat druhy stupen cerpadla 8 Ujpnout hlavni sverak 7 Očlenit hlavni sverak 6 Očlenit podavaci sverak 5 Ujpnout podavaci sverak 4 Zapnout motor pasu 3 Zapnout cerpadlo hydrauliky 2 Zapnout motor vrnasece 1 Zapnout motor chlazení		<b>JDI - Signalizace stavu vstupu</b> tlačítko uvolněno 16 Pás pily je napnutý 15 Hlavni sverak upnut 14 Podavaci sverak upnut 13 Total stop aktivovan 12 Stop automatickeho režimu 11 Start automatickeho režimu 10 Aktivovano rucni ovladani 9 Aktivovano automaticke ovladani 8 Ochrana motoru pasu OK 7 Ochrana cerpadla hydrauliky OK 6 Ochrana motoru vrnasece OK 5 Ochrana motoru chlazení OK 4 3 2 Napajeni na 300 OK 1 Napajeni na 200 OK		<b>Signalizace stavu vstupu</b> tlačítko stisknuto		<b>CPU - Signalizace stavu jednotky</b> 12 Napajeni 5V 11 Napajeni 5V-KOM 10 Interni CAN - TXD 9 Interni CAN - RXD 8 Externi CAN - TXD 7 Externi CAN - RXD 6 Spojeni s jednotkou JDO OK 5 Spojeni s jednotkou JDI OK 4 Laserova zavora (hlavni sverak) aktivni 3 Laserova zavora (podavaci sverak) aktivni 2 Podavac vzaad 1 Podavac vpřed					
Zmena	Datum	Jmeno	Projekt		ASTP s.r.o. Lazaretni 7 CZ-615 00 Brno		Oznaceni listu		Cislo vykresu		List	
			STG 330 GA				Signalizace LED diod		STG330GA.1.1.0		12/14	
									Jmeno souboru			
									STG_330_GA_1.1.0			

## Elektrické schéma / Elektroschema / Wiring diagram 12

	0	1	2	3	4	5	6	7	8	9																																		
A	<table border="1"> <thead> <tr> <th colspan="2">JDO - Output State Signalization</th> </tr> </thead> <tbody> <tr><td>16</td><td>Activ. high speed move of the arm</td></tr> <tr><td>15</td><td>Put the arm up</td></tr> <tr><td>14</td><td>Put the arm down</td></tr> <tr><td>13</td><td></td></tr> <tr><td>12</td><td>Switch on the automatic cycle indicator</td></tr> <tr><td>11</td><td>Activate the microniser</td></tr> <tr><td>10</td><td>Lock the feeder</td></tr> <tr><td>9</td><td>Shift the pump into second stage</td></tr> <tr><td>8</td><td>Close the main gripper</td></tr> <tr><td>7</td><td>Open the main gripper</td></tr> <tr><td>6</td><td>Open the feeding gripper</td></tr> <tr><td>5</td><td>Close the feeding gripper</td></tr> <tr><td>4</td><td>Turn on the band motor</td></tr> <tr><td>3</td><td>Turn on the hydraulic pump</td></tr> <tr><td>2</td><td>Turn on the swarf-removal motor</td></tr> <tr><td>1</td><td>Turn on the cooling motor</td></tr> </tbody> </table>										JDO - Output State Signalization		16	Activ. high speed move of the arm	15	Put the arm up	14	Put the arm down	13		12	Switch on the automatic cycle indicator	11	Activate the microniser	10	Lock the feeder	9	Shift the pump into second stage	8	Close the main gripper	7	Open the main gripper	6	Open the feeding gripper	5	Close the feeding gripper	4	Turn on the band motor	3	Turn on the hydraulic pump	2	Turn on the swarf-removal motor	1	Turn on the cooling motor
JDO - Output State Signalization																																												
16	Activ. high speed move of the arm																																											
15	Put the arm up																																											
14	Put the arm down																																											
13																																												
12	Switch on the automatic cycle indicator																																											
11	Activate the microniser																																											
10	Lock the feeder																																											
9	Shift the pump into second stage																																											
8	Close the main gripper																																											
7	Open the main gripper																																											
6	Open the feeding gripper																																											
5	Close the feeding gripper																																											
4	Turn on the band motor																																											
3	Turn on the hydraulic pump																																											
2	Turn on the swarf-removal motor																																											
1	Turn on the cooling motor																																											
B	<table border="1"> <thead> <tr> <th colspan="2">JDI - Input State Signalization</th> </tr> </thead> <tbody> <tr><td>16</td><td>button released</td></tr> <tr><td>15</td><td>The sawband is tight</td></tr> <tr><td>14</td><td>Main gripper is closed</td></tr> <tr><td>13</td><td>Feeding gripper is closed</td></tr> <tr><td>12</td><td>Total stop activated</td></tr> <tr><td>11</td><td>Automatic mode stopped</td></tr> <tr><td>10</td><td>Automatic mode started</td></tr> <tr><td>9</td><td>Manual control activated</td></tr> <tr><td>8</td><td>Automatic control activated</td></tr> <tr><td>7</td><td>Band motor protection is OK</td></tr> <tr><td>6</td><td>Hydraulic pump protection is OK</td></tr> <tr><td>5</td><td>Swarf-removal motor protection is OK</td></tr> <tr><td>4</td><td>Cooling motor protection is OK</td></tr> <tr><td>3</td><td>Voltage on 300 OK</td></tr> <tr><td>2</td><td>Voltage on 200 OK</td></tr> <tr><td>1</td><td></td></tr> </tbody> </table>										JDI - Input State Signalization		16	button released	15	The sawband is tight	14	Main gripper is closed	13	Feeding gripper is closed	12	Total stop activated	11	Automatic mode stopped	10	Automatic mode started	9	Manual control activated	8	Automatic control activated	7	Band motor protection is OK	6	Hydraulic pump protection is OK	5	Swarf-removal motor protection is OK	4	Cooling motor protection is OK	3	Voltage on 300 OK	2	Voltage on 200 OK	1	
JDI - Input State Signalization																																												
16	button released																																											
15	The sawband is tight																																											
14	Main gripper is closed																																											
13	Feeding gripper is closed																																											
12	Total stop activated																																											
11	Automatic mode stopped																																											
10	Automatic mode started																																											
9	Manual control activated																																											
8	Automatic control activated																																											
7	Band motor protection is OK																																											
6	Hydraulic pump protection is OK																																											
5	Swarf-removal motor protection is OK																																											
4	Cooling motor protection is OK																																											
3	Voltage on 300 OK																																											
2	Voltage on 200 OK																																											
1																																												
C	<table border="1"> <thead> <tr> <th colspan="2">CPU - Unit State Signalization</th> </tr> </thead> <tbody> <tr><td>12</td><td>Voltage 5V</td></tr> <tr><td>11</td><td>Voltage 5V-KOM</td></tr> <tr><td>10</td><td>Internal CAN - TXD</td></tr> <tr><td>9</td><td>Internal CAN - RXD</td></tr> <tr><td>8</td><td>External CAN - TXD</td></tr> <tr><td>7</td><td>External CAN - RXD</td></tr> <tr><td>6</td><td>Connection with JDO unit OK</td></tr> <tr><td>5</td><td>Connection with JDI unit OK</td></tr> <tr><td>4</td><td>Laser bar (main gripper) is active</td></tr> <tr><td>3</td><td>Laser bar (feeding gripper) is active</td></tr> <tr><td>2</td><td>Feeder to the back</td></tr> <tr><td>1</td><td>Feeder to the front</td></tr> </tbody> </table>										CPU - Unit State Signalization		12	Voltage 5V	11	Voltage 5V-KOM	10	Internal CAN - TXD	9	Internal CAN - RXD	8	External CAN - TXD	7	External CAN - RXD	6	Connection with JDO unit OK	5	Connection with JDI unit OK	4	Laser bar (main gripper) is active	3	Laser bar (feeding gripper) is active	2	Feeder to the back	1	Feeder to the front								
CPU - Unit State Signalization																																												
12	Voltage 5V																																											
11	Voltage 5V-KOM																																											
10	Internal CAN - TXD																																											
9	Internal CAN - RXD																																											
8	External CAN - TXD																																											
7	External CAN - RXD																																											
6	Connection with JDO unit OK																																											
5	Connection with JDI unit OK																																											
4	Laser bar (main gripper) is active																																											
3	Laser bar (feeding gripper) is active																																											
2	Feeder to the back																																											
1	Feeder to the front																																											
D																																												
E																																												
F																																												
Zmena	Datum	Jmeno	Projekt		ASTP s.r.o. Lazaretni 7 CZ-615 00 Brno		Oznaceni listu Description of LED diodes signalization		Cislo vykresu Jmeno souboru STG_330_GA_1.1.0	List 13/14																																		

## Elektrické schéma / Elektroschema / Wiring diagram 13

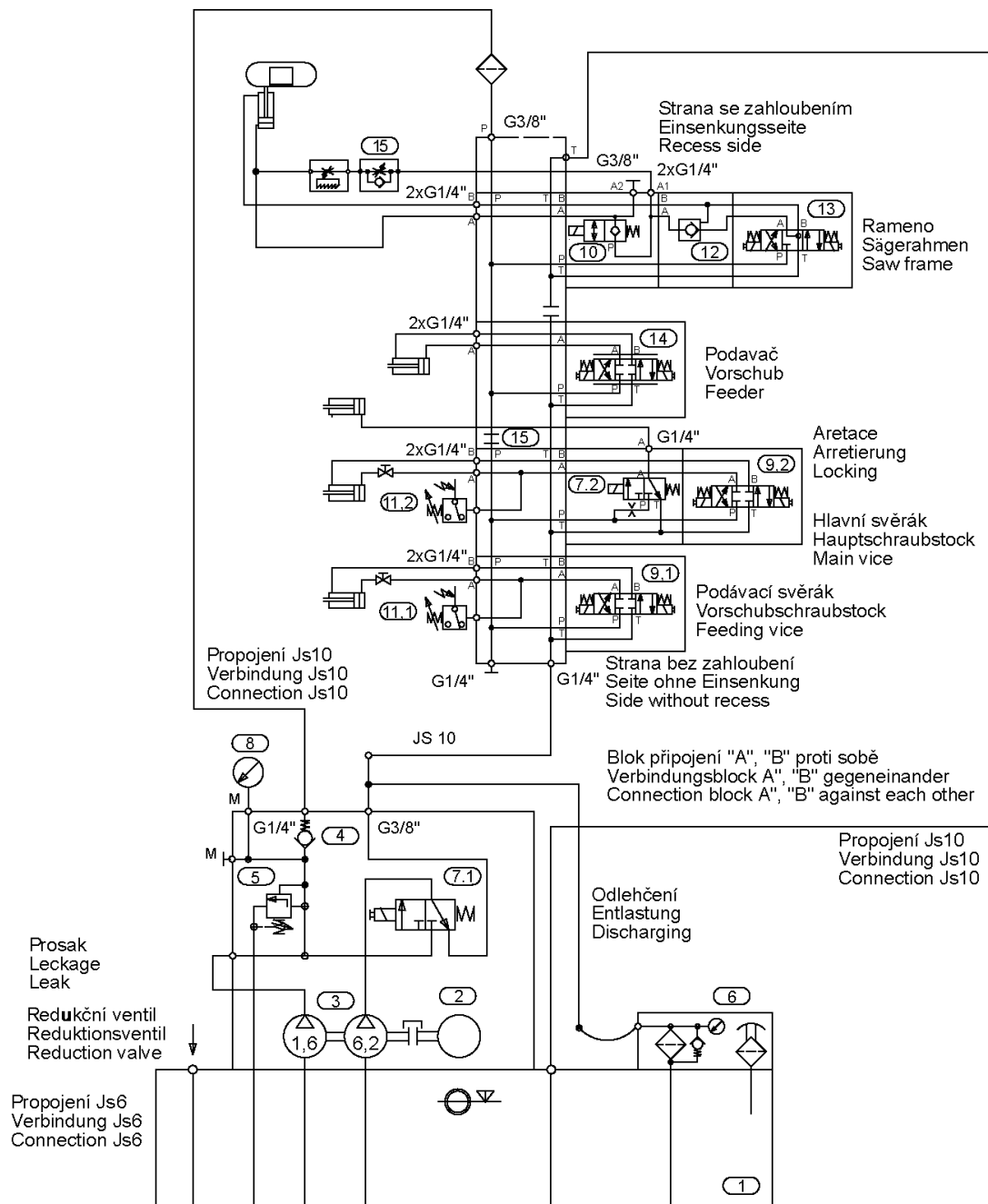


### 23. Kusovník elektrosoučástí / Stückliste der Elektroteilen / Piece list of electroparts

ATTENTION! Only qualified person can do the servicing and repairs. For parts changing, use only parts, which are identical with the originals.

Bestell - Nr.	Bezeichnung		Menge	Sign.
Objednací číslo	Název položky		ks	Ozn.
Reference No.	Item		Pcs.	Sign.
91.001.012	Elektromotor/ Elektromotor / Electromotor	7AA 100L 04 3kW	1	M4
91.280.002	Diodový můstek/ Diodenbrücke / Diode bridge	DB 25A 280V	1	DM1
91.080.022	Transformator / Transformator / Transformator	TBC-32525-019	1	TR
91.041.004	Filtr / Filter / Filter	FZ72460	5	RCF
	Stykač / Schütz / Contactor	LP1K0901BD 24Vss	7	KM
91.045.003	Motorový spouštěč / Motor Starter / Motor Starter	MS116-0,4A (ABB)	1	FA1
91.045.005	Motorový spouštěč / Motor Starter / Motor Starter	MS116-1,0A (ABB )	1	FA2
91.045.010	Motorový spouštěč / Motor Starter / Motor Starter	MS116- 10 A (ABB)	1	FA4
91.045.008	Motorový spouštěč / Motor Starter / Motor Starter	MS116 -4,0A (ABB)	1	FA3
91.046.002	Motorový spouštěč / Motor Starter / Motor Starter	HK1-11( ABB)	1	FA
91.995.039	Modul / Modul / Modul	JDI-2/2	1	JDI
91.995.040	Modul / Modul / Modul	JDO-2	1	JDO
91.995.048	Modul / Modul / Modul	DKL-F5	1	DKL
91.995.060	Modul / Modul / Modul	CPU2-E	1	CPU

## 24. Hydraulická schémata / Hydraulikschemata / Hydraulic diagram



Základní technické parametry :  
Technische Spezifikation:  
Technical specification:

Q	8 + 2,1	dm <sup>3</sup> ·min <sup>-1</sup>	ot.	1410	min <sup>-1</sup>
p <sub>max</sub>	4	MPa	P	1,1	kW

Hydraulické schéma:  
Hydraulikschemata:  
Hydraulic diagram:

# 870-1184

Schéma / Schema / Diagram: 8701184AU-B.DWG  
Datum / Datum / Date: 22. 10. 2002

## Hydraulické schéma / Hydraulikschema / Hydraulic diagram

Poz.	Název položky		ks
Pos.	Bezeichnung		Menge
Pos.	Item		Pcs.
1	Nádrž / Behälter / Tank	N20 - Bomar	1
2	Elektromotor / Elektromotor / Electromotor	1LA7090-4AA	1
3	Hydrogenerátor / Hydraulikaggregat / Hydrogenerator	P2- 6,2/1,6L66313	1
4	Jednosměrný ventil / Einwegventil / One-way valve	VJ01-06/SG-1	1
5	Přepouštěcí ventil / Bypassventil / By pass valve	VPP2-04/S-6S	1
6	Zpětný filtr / Filter / Filter	FR 043 - 166/0 + DG200-06	1
	Vložka filtru / Filtereinsatz / Filter inset	V3.0510-56	1
7	Rozváděč / Verteilungsventil / Distributor	ROX1- 042D21/02400E1K5	2
8	Manometr / Manometer / Manometer	0-10 MPa	1
9	Rozváděč / Verteilung / Distributor	RPE 3- 043Z11/02400E1K5	2
10	Blok rychloposuvu / Eilgangsblock / Speed shift block	729- 0084	1
11	Tlakový spínač / Druckschalter / Pressure switch	SUCO 0166 411 031 043 s krytkou / mit Deckel / with cover	2
12	Hydraulický zámek / Hydraulisches Schloß / Hydraulic lock	VJR1- 04/MA	1
13	Rozváděč / Verteilung / Distributor	RPE 3-043Y11/02400E1K5	1
14	Proporcionální rozváděč / Wege- Proportionalventil / Proportional distributor	PRM 2-043Z11/04-24 MIKRO	1
15	Škrtící ventil / Drosselventil / Throttle valve	VSO1- 04/R2,5-O	1

 Označení hydraulických hadiček / Bezeichnung der hydraulischen Schlauche  
 /Indication of hydraulic hose:

Hydr. hadice	Hadice	Kování	Konc. A	Konc. B	Konc. C	Konc. D	Konc. E	Konc. F	Konc. G	Ks
Hydr. Schlauche	Schlauche	Schmieden	Schlauchtüle A	B	C	D	E	F	G	Menge
Hydr. Hose	hose	forging	terminal A	B	C	D	E	F	G	piece
6AA950	42.001.001	92.051.001	92.052.001	-	-	-	-	-	-	2
6AA1070	42.001.001	92.051.001	92.052.001	-	-	-	-	-	-	2
6AA950	42.001.001	92.051.001	92.052.001	-	-	-	-	-	-	2
6AA1500	42.001.001	92.051.001	92.052.001	-	-	-	-	-	-	1
6AA5660	42.001.001	92.051.001	92.052.001	-	-	-	-	-	-	1
6AG7000	42.001.001	92.051.001	92.052.001	-	-	-	-	-	93.01 2.005	1
6AA4900	42.001.001	92.051.001	92.052.001	-	-	-	-	-	-	1
6AG750	42.001.001	92.051.001	92.052.001	-	-	-	-	-	93.01 2.005	1
6BA760	42.001.001	92.051.001	92.052.001	92.053.001	-	-	-	-	-	1
6BA2600	42.001.001	92.051.001	92.052.001	92.053.001	-	-	-	-	-	1
10BB1200	42.003.001	92.051.003	-	92.053.002	-	-	-	-	-	1
10BA1400	42.003.001	92.051.003	92.052.002	92.053.002	-	-	-	-	-	1
10BA850	42.003.001	92.051.003	92.052.002	92.053.002	-	-	-	-	-	1

10BA850	42.003.001	92.051.003	92.052.002	92.053.002	-	-	-	-	-	1
PZA										
6BA1420	42.001.001	92.051.001	92.052.001	92.053.001	-	-	-	-	-	2
6AA1070	42.001.001	92.051.001	92.052.001	-	-	-	-	-	-	1
SDRA										
6BB1450	42.001.001	92.051.001	-	92.053.001	-	-	-	-	-	1
6BB1100	42.001.001	92.051.001	-	92.053.001	-	-	-	-	-	1
6BB1600	42.001.001	92.051.001	-	92.053.001	-	-	-	-	-	1



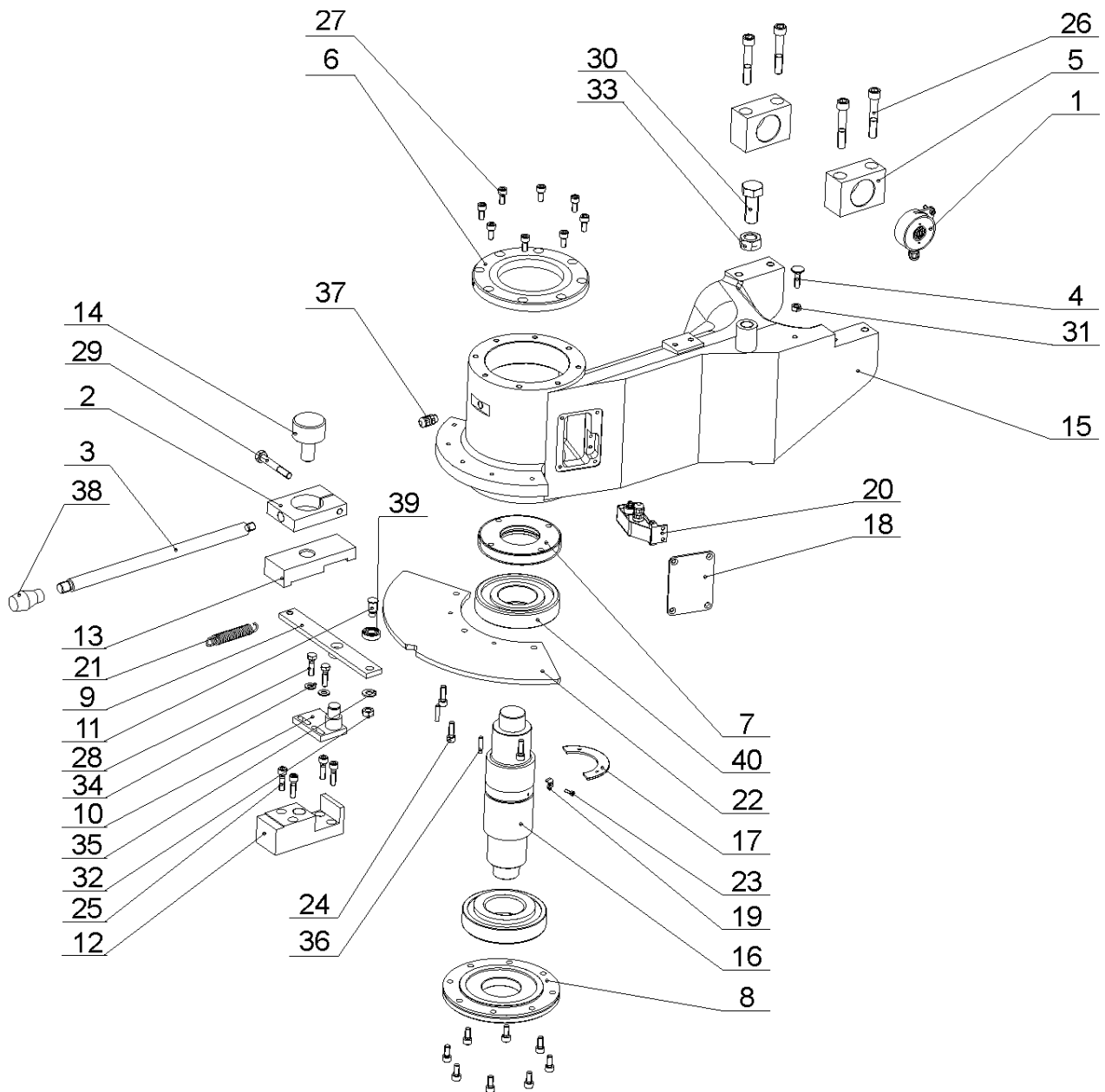


## **25. Výkresy sestav pro objednání náhradních dílů / Zeichnungen für Bestellung der Ersatzteile / Drawing assemblies for spare parts order**

Při objednávání náhradních dílů vždy uvádějte: typ stroje (např. STG 120), výrobní číslo (např. 125) a rok výroby (např. 1999).

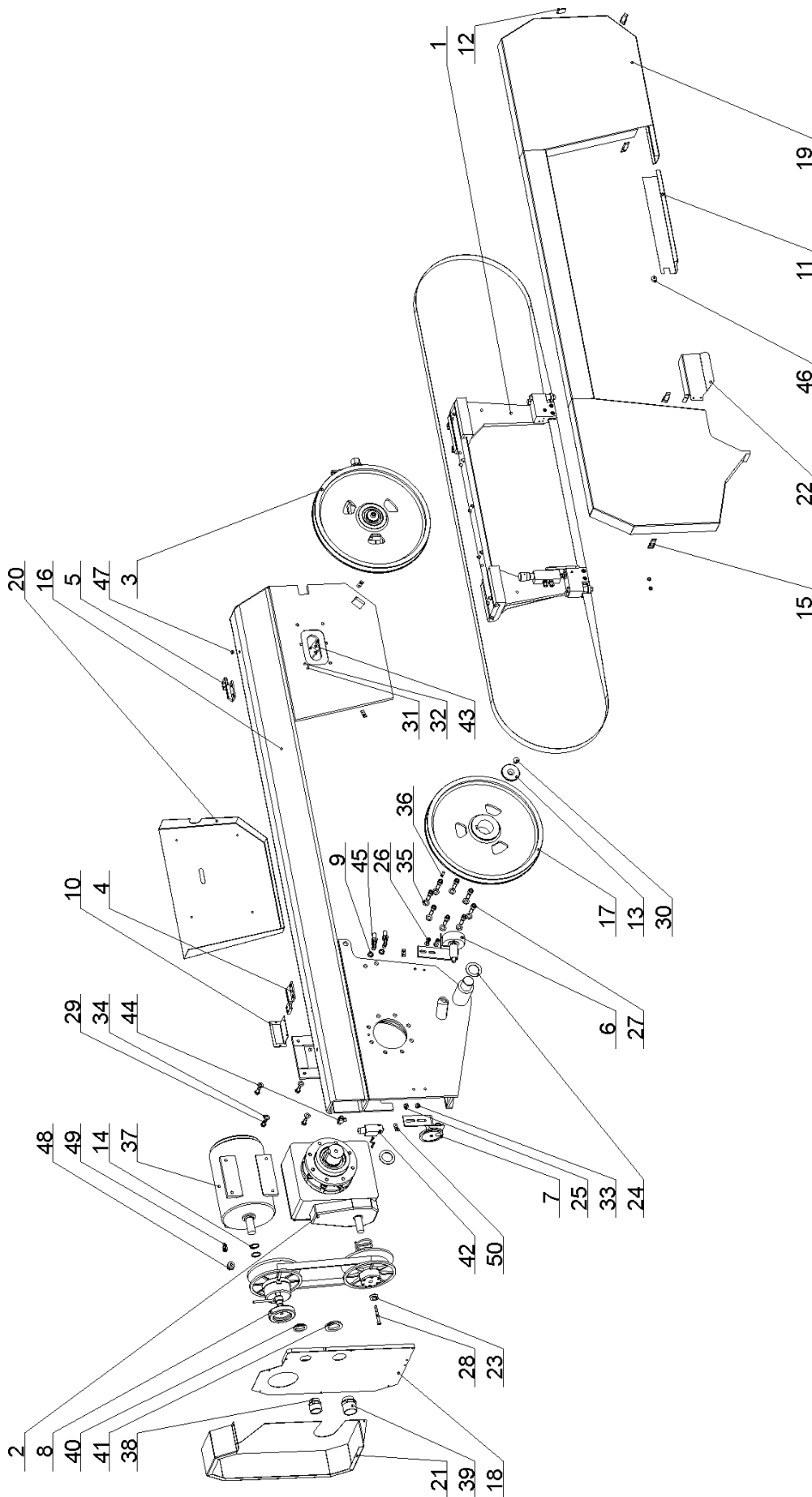
In die Bestellung der Ersatzteile führen Sie immer an:  
Maschinentyp (z. B. STG 120), Serien Nr. (z. B. 125) und  
Baujahr (z. B. 1999).

For spare parts order, you must always to allege: type of  
machine (for example STG 120), serial number (for example 125)  
and year of construction (for example 1999).



### 25.1. Otočná konzola / Drehkonsole / Turning console

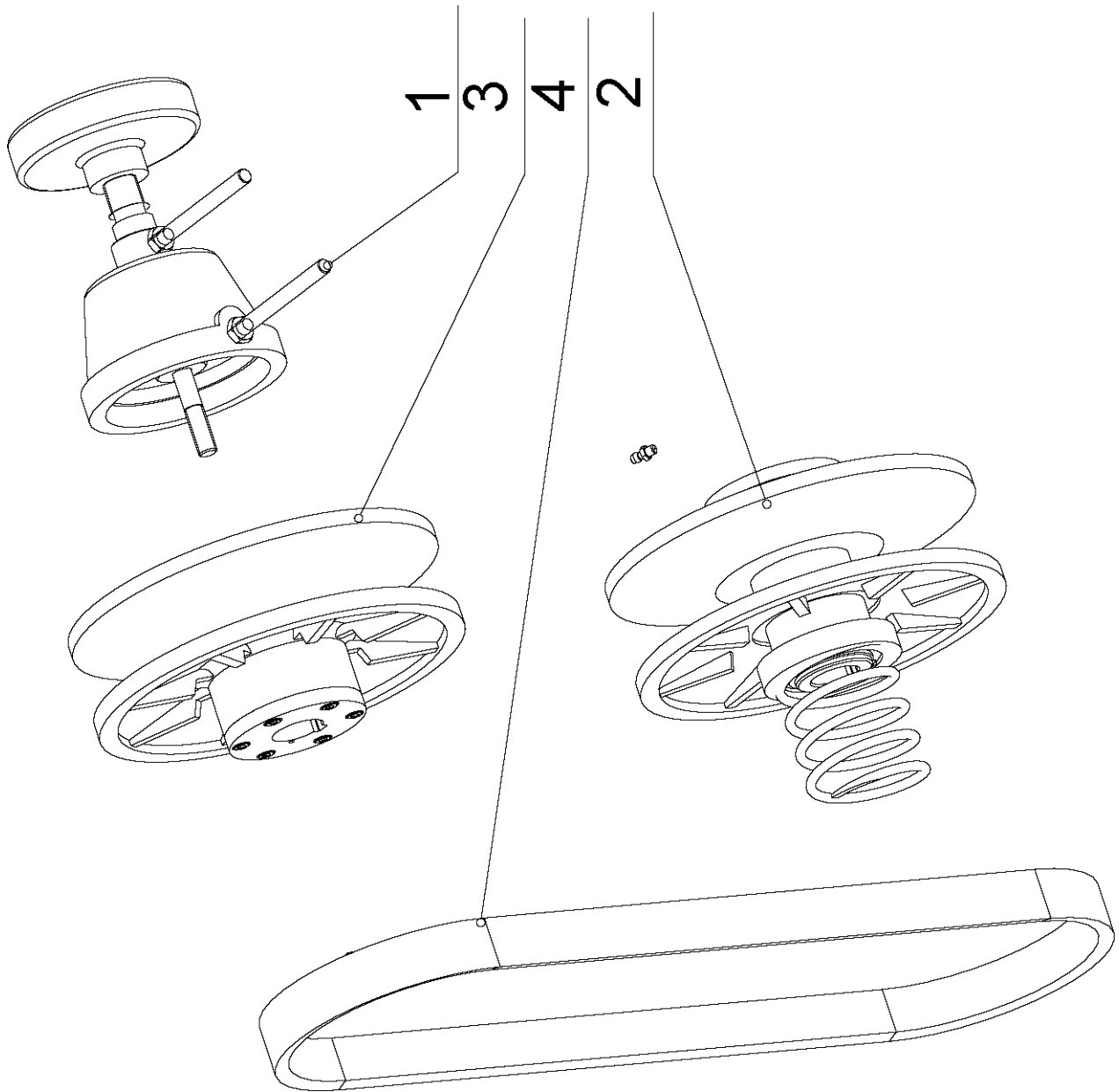
Poz.	Objednací číslo	Název položky	ks
Pos.	Bestell - Nr.	Bezeichnung	Menge
Pos.	Reference No.	Item	Pcs.
1	30.0614-200	Odměrování úhlu / Winkelabmessung / Admeasurement of angle	1
2	30.0702-004	Držák páky / Hebelhalter / Lever holder	1
3	30.0702-005	Páka / Hebel / Lever	1
4	30.0702-013	Šroub / Schraube / Screw	1
5	30.0802-002	Ložisko ramene / Sägerahmenslager / Arm bearing	2
6	30.0802-004	Víko horní / Oberer Deckel / Top cover	1
7	30.0802-005	Matice ložiska / Lagermutter / Bearing nut	1
8	30.0802-006	Víko spodní / Unterer Deckel / Bottom cover	1
9	30.0802-009	Páka / Hebel / Lever	1
10	30.0802-010	Čep / Bolzen / Pivot	1
11	30.0802-011	Čep ložiska / Bolzen / Bearing pivot	1
12	30.0809-007	Kostka / Würfel / Cube	1
13	30.0809-008	Upínka / Spanneisen / Clamp	1
14	30.0809-009	Šroub / Schraube / Screw	1
15	30.2902-001	Konzola / Konsole / Console	1
16	30.2902-003	Čep konzoly / Bolzen / Console pivot	1
17	30.2902-010	Segment / Segment / Segment	1
18	30.2902-111	Kryt / Deckel / Cover	1
19	30.2902-112	Držák / Halter / Holder	2
20	30.2902-200	Snímač natáčení / Positionsgeber / Turning sensor	1
21	31.0206-005	Pružina / Feder / Spring 2.50x16x90x27	1
22	81.2902-007	Deska dělení / Platte / Dividing plate	1
23	90.001.25.003	Šroub / Schraube / Screw M4x12 DIN 912 8.8	2
24	90.001.25.033	Šroub / Schraube / Screw M8x25 DIN 912 8.8	3
25	90.001.25.034	Šroub / Schraube / Screw M8x30 DIN 912 8.8	4
26	90.001.25.064	Šroub / Schraube / Screw M12x70 DIN 912 8.8	4
27	90.001.25.105	Šroub / Schraube / Screw M8x18 DIN 912 8.8	16
28	90.005.55.017	Šroub / Schraube / Screw M8x30 DIN 933 8.8	2
29	90.005.55.042	Šroub / Schraube / Screw M10x70 DIN 933 8.8	1
30	90.005.55.050	Šroub / Schraube / Screw M20x50 DIN 933 8.8	1
31	90.100.55.005	Matice / Mutter / Nut M8 DIN 934 8.8	1
32	90.100.55.006	Matice / Mutter / Nut M10 DIN 934 8.8	1
33	90.100.55.009	Matice / Mutter / Nut M20 DIN 934 8.8	1
34	90.150.50.005	Podložka / Scheibe / Washer Ø8,4 DIN 125	2
35	90.150.50.006	Podložka / Scheibe / Washer Ø10,5 DIN 125	1
36	90.300.0Z.XXX	Válcový kolík / Zylinderstift / Cylindrical pin 6x28 DIN 6325	2
37	91.070.010	Vývodka / Ausführung / Bushing M12	1
38	94.002.001	Rukojeť kuželová / Griffschalter / Conical handle M12	1
39	95.001.005	Ložisko / Lager / Bearing 6001 2RS	1
40	95.300.001	Ložisko / Lager / Bearing 30312 AX	2



25.2. Rameno / Sägerahmen / Saw arm

Poz.	Objednáací číslo	Název položky	ks
Pos.	Bestell - Nr.	Bezeichnung	Menge
Pos.	Reference No.	Item	Pcs.
1	Viz. Výkres / Siehe Zeichnung / See drawing	Vedení pásu / Sägebandführung / Saw band guiding	1
2		Převodovka / Getriebe / Gearbox	1
3	Viz. Výkres / Siehe Zeichnung / See drawing	Napínání / Sägebandspannung / Saw band stretching	1
4		Levý pant / Türband / Left hinge	1
5		Pravý pant / Türband / Right hinge	1
6	Viz. Výkres / Siehe Zeichnung / See drawing	Kartáček / Bürste / Brush	1
7	Viz. Výkres / Siehe Zeichnung / See drawing	Řemenice / Riemenscheibe / Band - wheel	1
8	Viz. Výkres / Siehe Zeichnung / See drawing	Variátor / Variator / Variator	1
9	30.0614-001	Kroužek / Ring / Ring	2
10	30.0814-016	Držák rychloměru / Halter / Holder	1
11	30.0814-103	Kryt / Deckel / Cover	1
12	30.0814-113	Plech / Blech / Metal plate	1
13	30.1804-010	Podložka kola / Scheibe / Washer	1
14	30.1805-005	Kroužek motoru / Ring / Ring	2
15	30.1814-110	Pant kufrový / Spannverschuß / Hinge	4
16	30.2904-001	Rameno / Sägerahmen / Saw arm	1
17	30.2904-003	Hnací kolo / Antriebsrad / Driving wheel	1
18	30.2914-202	Víko / Deckel / Cover	1
19	30.2914-203	Kryt ramene / Rahmendeckel / Arm cover	1
20	30.2914-204	Kryt napínání / Bandspannungsdeckel / Stretching cover	1
21	30.2914-205	Kryt variátoru / Variatordeckel / Variator cover	1
22	30.2914-209	Kryt kartáčku / Bürstenabdeckung / Brush cover	1
23	30.2914-401	Řemenice / Riemenscheibe / Band wheel	1
24	81.0804-005	Kroužek / Ring / Ring	2
25	90.001.25.029	Šroub / Schraube / Screw M8x12 DIN 912	2
26	90.001.25.031	Šroub / Schraube / Screw M8x16 DIN 912	2
27	90.001.25.060	Šroub / Schraube / Screw M12x40 DIN 912	8
28	90.001.25.095	Šroub / Schraube / Screw M8x70 DIN 912	1
29	90.005.55.024	Šroub / Schraube / Screw M10x25 DIN 933	4
30	90.011.27.009	Šroub / Schraube / Screw M12x20 DIN 7991	1
31	90.012.50.007	Šroub / Schraube / Screw M4x30 DIN 84	4
32	90.150.50.002	Podložka / Scheibe / Washer Ø4,3 DIN 125	4
33	90.150.50.005	Podložka / Scheibe / Washer Ø8,4 DIN 125	4
34	90.150.50.006	Podložka / Scheibe / Washer Ø10,5 DIN 125	4
35	90.150.50.007	Podložka / Scheibe / Washer Ø13 DIN 125	8
36	90.300.0Z.010	Válcový kolík / Zylinderstift / Cylindrical pin 8x32 DIN 6325	1
37	91.001.012	Elektromotor / Elektromotor / Electromotor 7AA 100L 04	1
38	91.071.004	Vývodka hadice / Verschraubung Gerade / Hose bushing PG29	1
39	91.071.005	Vývodka hadice / Verschraubung Gerade / Hose bushing PG36	1
40	91.072.007	Matice / Mutter / Nut PG29	1
41	91.072.008	Matice / Mutter / Nut PG36	1
42	91.173.007	Koncový spínač / Endschalter / Limit switch	1

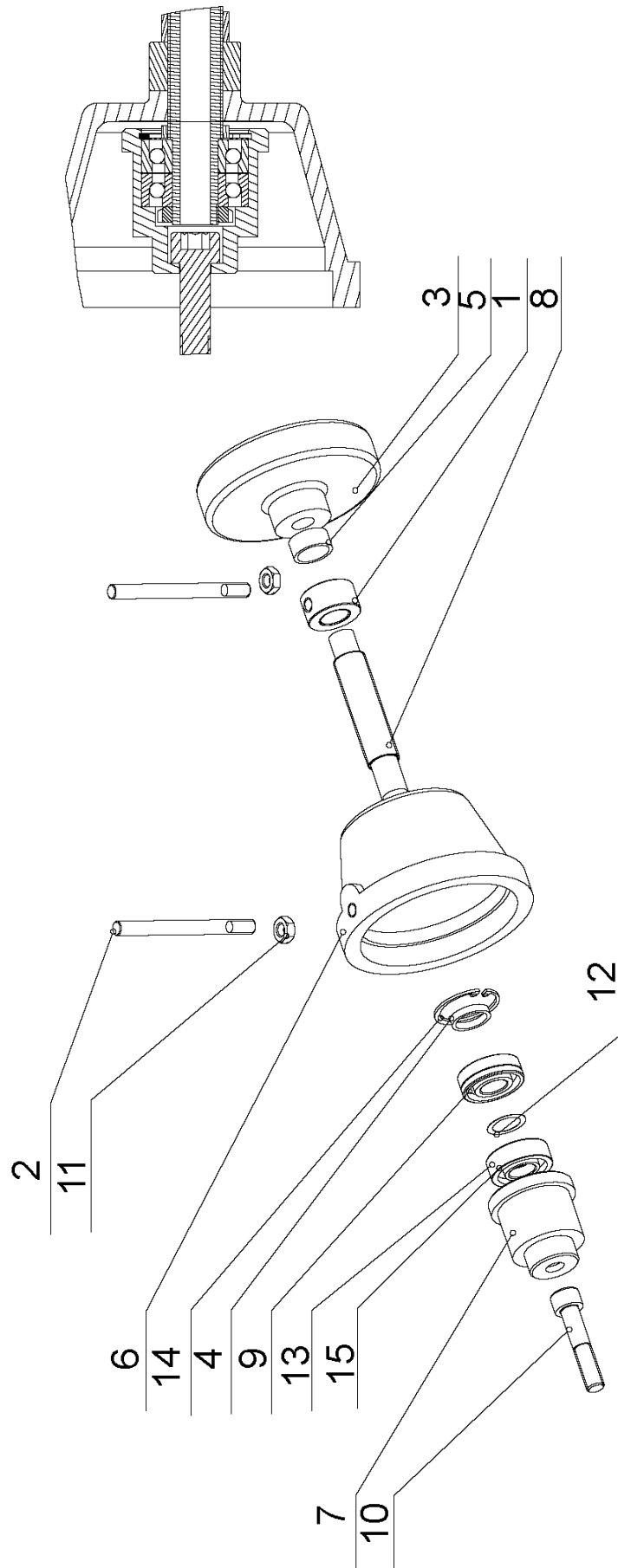
43	91.173.012	Koncový spínač – zámek / Endschalter mit Klinke / Limit switch - lock	1
44	92.006.001	Propojka / Verbindungsstück / Jumper T	1
45	92.009.001	Průchodka úhlová / Tülle / Angle grommet	2
46	94.007.001	Plastový šroub Rändelschraube / Plastic screw M5x10	1
47	94.102.001	Ucpávka / Stopfen / Stopper	2
48	94.202.005	Redukce / Reduktion / Reduction 3/4"-6	1
49	94.204.001	Držák hadice / Schlauchhalter / Hose holder	1
50	99.100.002	Pant kufrový / Spannverschluß / Hinge	4



**25.3. Variátor / Variator / Variator**

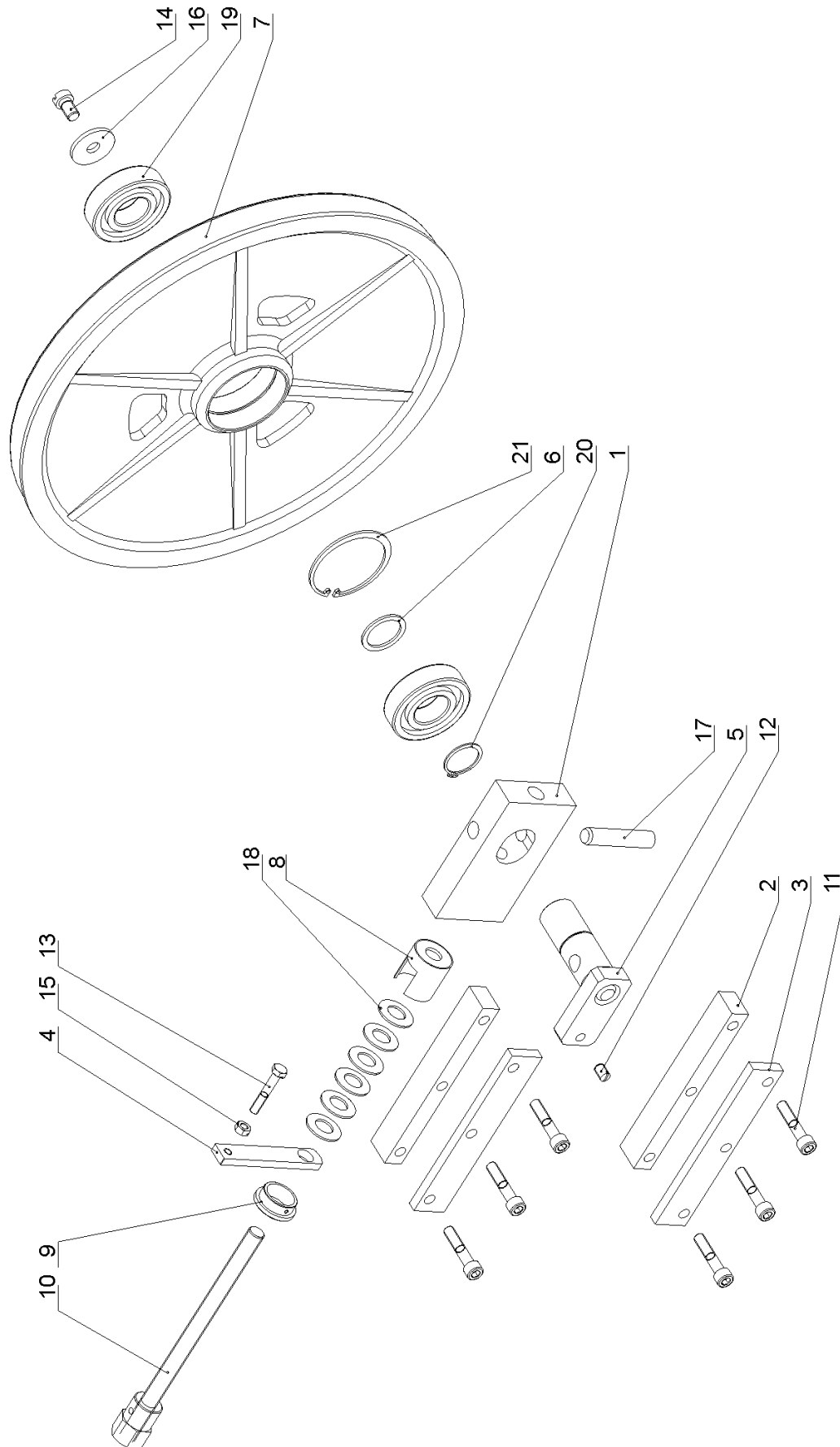


Poz.	Objednáací číslo	Název položky	ks
Pos.	Bestell - Nr.	Bezeichnung	Menge
Pos.	Reference No.	Item	Pcs.
1	201.3005-500	Nastavovací jednotka / Verstelleinheit-Variator / Adjusting unit	1
2	30.3005-015	Kotouč variátoru-převod / Variatorscheibe- Getriebe/ Variátor-Gearing	1
3	30.3005-016	Kotouč variátoru -motor / Variatorscheibe- Motor / Variátor- Motor	1
4	99.020.008	Řemen / Riemen / Belt 28x8x11 70La	1



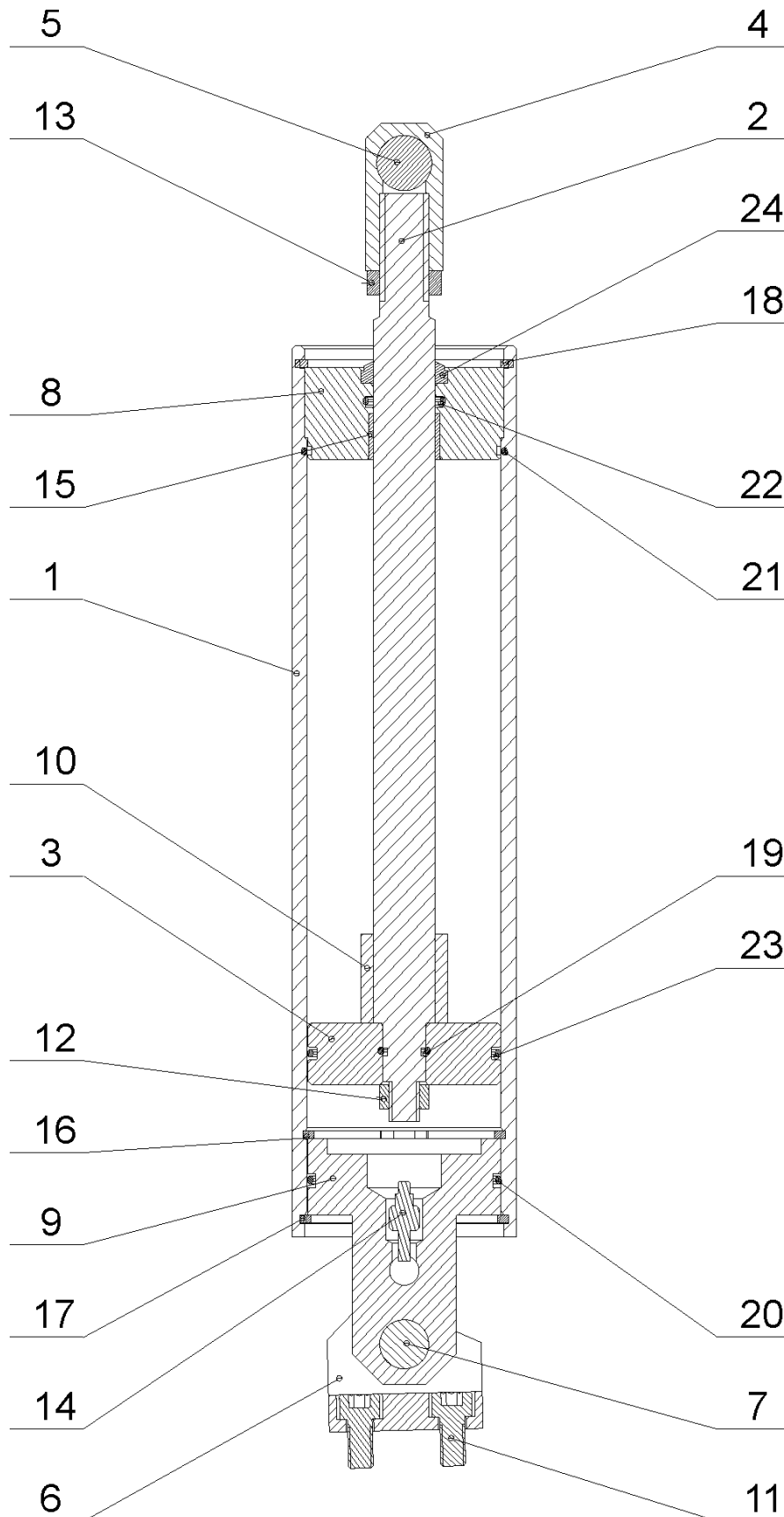
25.4. Nastavovací jednotka / Verstelleinheit-Variator / Adjusting unit

Poz.	Objednací číslo	Název položky	ks	
Pos.	Bestell - Nr.	Bezeichnung	Menge	
Pos.	Reference No.	Item	Pcs.	
1	30.0805-005.1	Matice / Mutter / Nut	1	
2	30.0805-005.2	Tyč / Stange / Bar	2	
3	30.0805-010	Kolo / Umlenkrad / Wheel	1	
4	30.3005-011	Podložka / Scheibe / Washer	1	
5	30.3005-012	Doraz / Anschlag / Length stop	1	
6	30.3005-501	Pouzdro / Büchse / Bush	1	
7	30.3005-502	Držák ložiska / Halter / Holder	1	
8	30.3005-503	Šroub / Schraube / Screw	1	
9	30.3005-504	Kryt / Deckel / Cover	1	
10	90.001.25.052	Šroub imbus / Schraube / Screw	M10x50	1
11	90.101.55.001	Matice / Mutter / Nut	M8	2
12	90.154.50.014	Podložka / Scheibe / Washer	16x22x0,2	1
13	95.001.043	Ložisko / Lager / Bearing	7202 B	2
14	95.801.004	Pojistný kroužek / Sicherungsring / Retaining ring	35	1
15	95.850.003	Matice / Mutter / Nut	KM	1



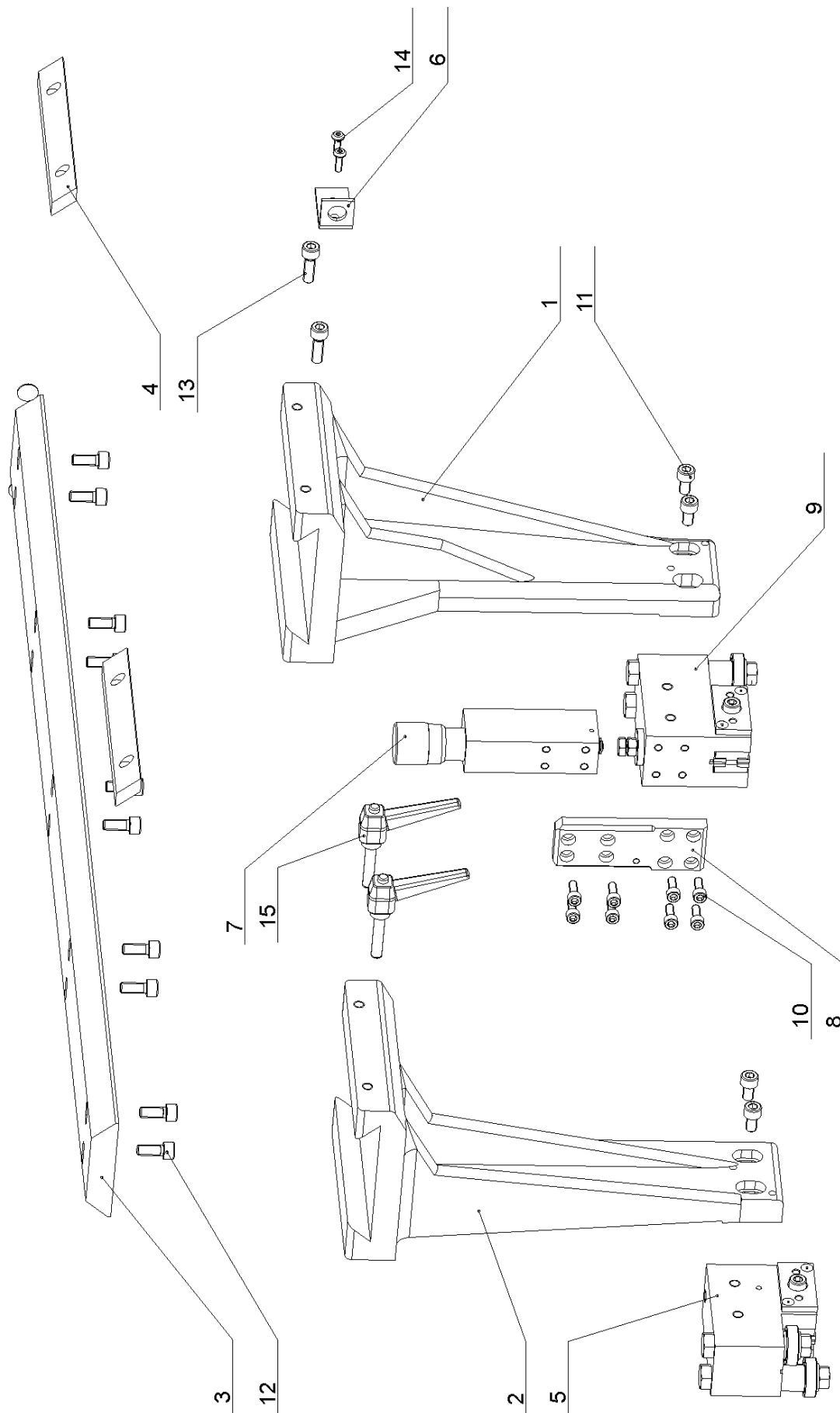
### 25.5. Napínání pilového pásu / Bandspannung / Saw band stretching

Poz.	Objednací číslo	Název položky	ks
Pos.	Bestell - Nr.	Bezeichnung	Menge
Pos.	Reference No.	Item	Pcs.
1	30.0808-001	Kostka napínání / Bandspannungswürfel / Stretching cube	1
2	30.0808-002	Lišta vodící / Führungsleiste / Guiding listel	2
3	30.0808-006	Lišta / Leiste / Listel	2
4	30.1708-004	Držák šroubu / Halter / Screw holder	1
5	30.4808-101	Čep napínání / Bolzen Bandspannung / Stretching pivot	1
6	30.4808-103	Distanční kroužek / Distanzring / Distance ring	1
7	30.2908-103	Kolo napínací / Umlenkrad / Stretching wheel	1
8	30.3508-002	Držák pružiny / Federhalter / Spring holder	1
9	30.3508-004	Kroužek měřící / Meßring / Measuring ring	1
10	30.4008-001	Šroub napínání / Bandspannungsschraube / Stretching screw	1
11	90.001.25.052	Šroub / Schraube / Screw M10x50 DIN 912 8.8	6
12	90.002.2D.014	Šroub / Schraube / Screw M10x16 DIN 913 45H	1
13	30.0808-007	Šroub / Schraube / Screw M8x60 DIN 603	1
14	90.012.50.017	Šroub / Schraube / Screw M12x20 DIN 84 4.8	1
15	90.100.55.005	Matice / Mutter / Nut M8 DIN 934 8.8	1
16	90.151.50.002	Podložka / Scheibe / Washer Ø13 DIN 440	1
17	90.301.0Z.019	Válcový kolík / Zylinderstift / Cylindrical pin Ø16x80 DIN 7	1
18	90.350.0Z.002	Talířová pružina / Tellerfeder / Belleville spring 35.5x18.3x2.0x2.8	6
19	95.001.026	Ložisko / Lager / Bearing 6307 2RS	2
20	95.800.014	Pojistný kroužek / Sicherungsring / Retaining ring Ø35 DIN 471	1
21	95.801.013	Pojistný kroužek / Sicherungsring / Retaining ring Ø80 DIN 472	1



### 25.6. Zvedací válec / Hubzylinder / Lifting cylinder - 251.171

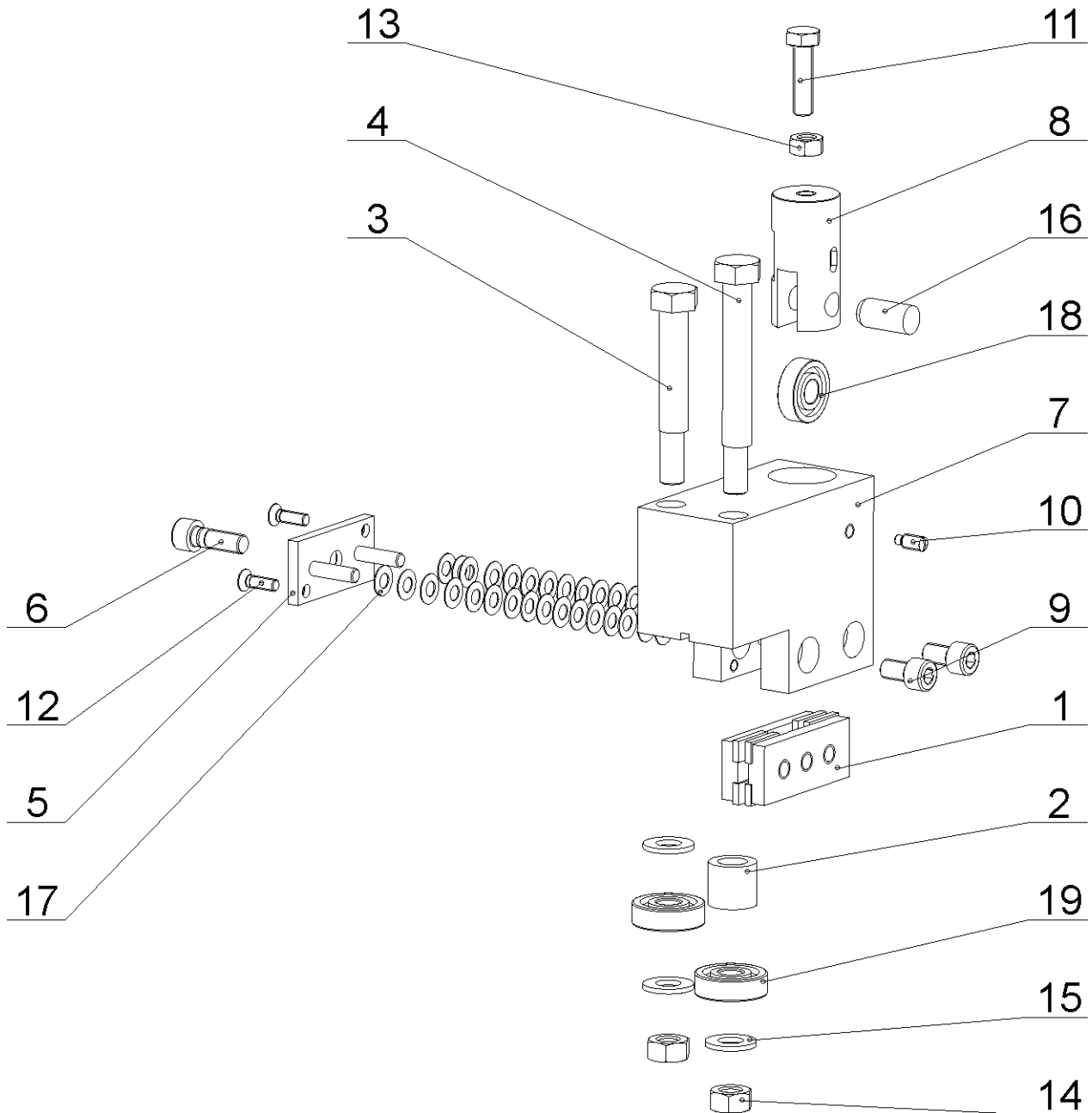
Poz.	Objednáací číslo	Název položky	ks
Pos.	Bestell - Nr.	Bezeichnung	Menge
Pos.	Reference No.	Item	Pcs.
1	30.0607-001	Válec / Zylinder / Cylinder	1
2	30.0807-003	Pístnice / Kolbenstange / Piston rod	1
3	30.0807-004	Píst / Kolben / Piston	1
4	30.0807-006	Držák pístnice / Halter Kolbenstange / Piston rod holder	1
5	30.0807-007	Čep horní / Bolzen / Top pivot	1
6	30.0807-008	Držák spodní / Unterer Halter / Bottom holder	1
7	30.0807-009	Čep spodní / Bolzen / Bottom pivot	1
8	30.1807-001	Víko horní / Oberer Deckel / Top cover	1
9	30.1807-004	Víko spodní / Unterer Deckel / Bottom cover	1
10	30.2907-002	Trubka / Rohr / Tube	1
11	90.001.25.031	Šroub / Schraube / Screw M8x16 DIN 912 8.8	2
12	90.100.55.006	Maticе / Mutter / Nut M10 DIN 934 8.8	1
13	90.101.55.003	Maticе / Mutter / Nut M16 DIN 439 8.8	1
14	92.151.001	Ventil pojistný / Sicherungsventil / Retaining valve VPN-H 1/4	1
15	95.700.003	Pouzdro / Buchse / Bush KU 20x15	1
16	95.801.011	Pojistný kroužek / Sicherungsring / Retaining ring Ø63 DIN 472	1
17	95.801.012	Pojistný kroužek / Sicherungsring / Retaining ring Ø65 DIN 472	1
18	95.801.024	Pojistný kroužek / Sicherungsring / Retaining ring Ø68 DIN 472	1
19	96.001.004	O-kroužek / O Ring / O Ring 10x2	1
20	96.001.015	O-kroužek / O Ring / O Ring 56x3,55	1
21	96.001.016	O-kroužek / O Ring / O Ring 60x2	1
22	96.002.010	O-kroužek / O Ring / O Ring 20x3	1
23	96.002.020	O-kroužek / O Ring / O Ring 56x3,5	1
24	96.060.002	Stírací kroužek / Abstreifring / Wiping ring 20x28	1



### 25.7. Vedení pilového pásu / Sägebåndführung / Saw band guiding

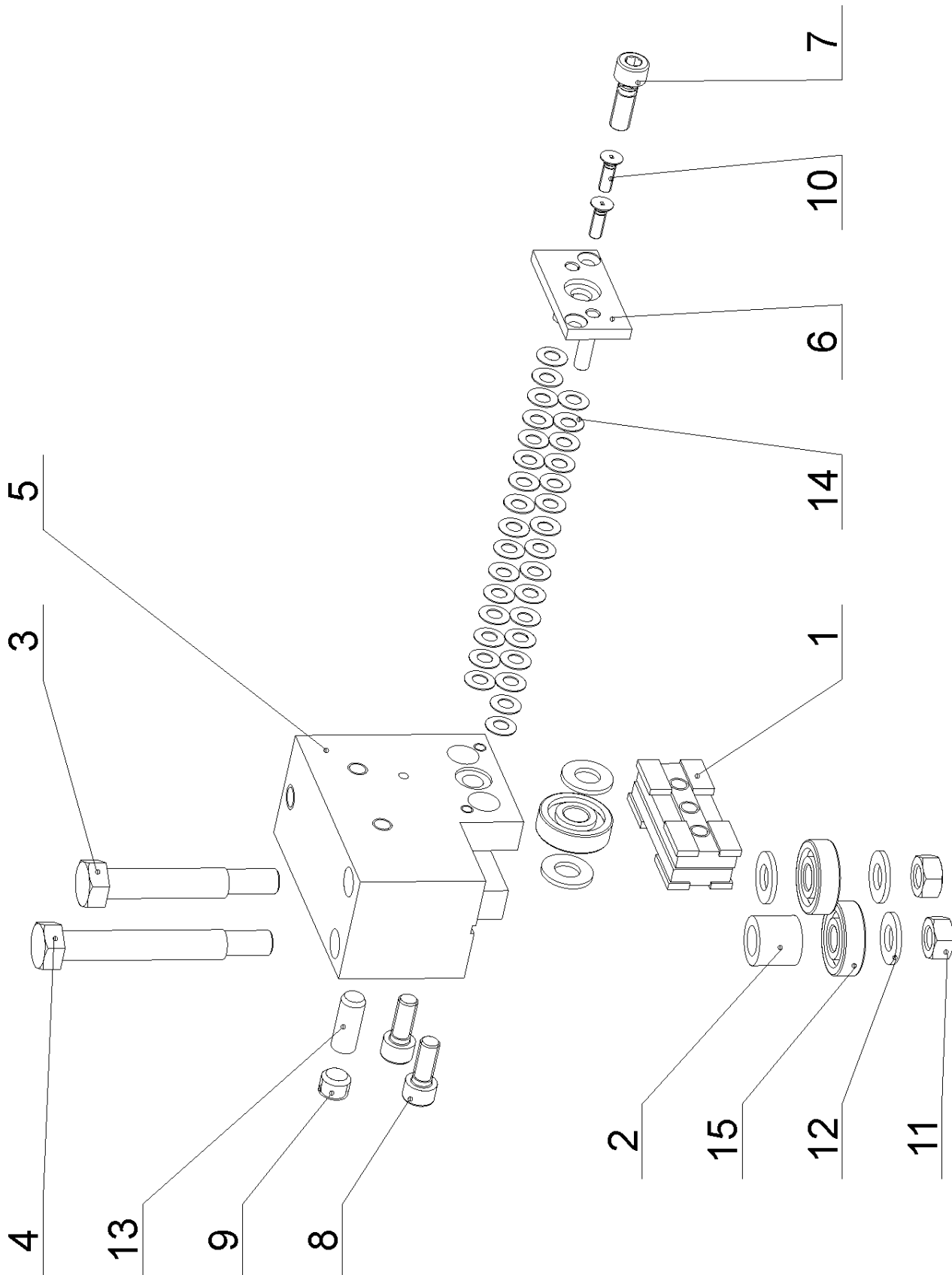


Poz.	Objednací číslo	Název položky	ks
Pos.	Bestell - Nr.	Bezeichnung	Menge
Pos.	Reference No.	Item	Pcs.
1	30.0810-003	Pravý držák vodící kostky / Rechter Halter des Führungsklotzes / Right holder of guiding cube	1
2	30.0810-004	Levý držák vodící kostky / Linker Halter des Führungsklotzes / Left holder of guiding cube	1
3	30.0810-008	Vedení / Führung / Guide	1
4	30.0810-011	Lišta držáku / Halterleiste / Holder listel	2
5	201.4810-100	Pravá vodící kostka / Rechter Führungsklotz / Right guiding cube	1
6	30.1814-011	Držák ventilu / Ventilhalter / Valve holder	1
7	201.2016-000	Regulace přítlaku / Schnittdruckregulierung / Cutting pressure regulation	1
8	30.2016-006	Deska / Platte / Plate	1
9	201.4210-100	Levá vodící kostka / Linker Führungsklotz / Left guiding cube	1
10	90.001.25.017	Šroub / Schraube / Screw M6x16 DIN 912 8.8	8
11	90.001.25.030	Šroub / Schraube / Screw M8x14 DIN 912 8.8	4
12	90.001.25.032	Šroub / Schraube / Screw M8x20 DIN 912 8.8	10
13	90.001.25.033	Šroub / Schraube / Screw M8x25 DIN 912 8.8	2
14	90.013.27.005	Šroub / Schraube / Screw M5x16 ISO 7380 10.9	2
15	94.008.003	Páka montážní / Klemmhebel / Assembly lever M8x40	2



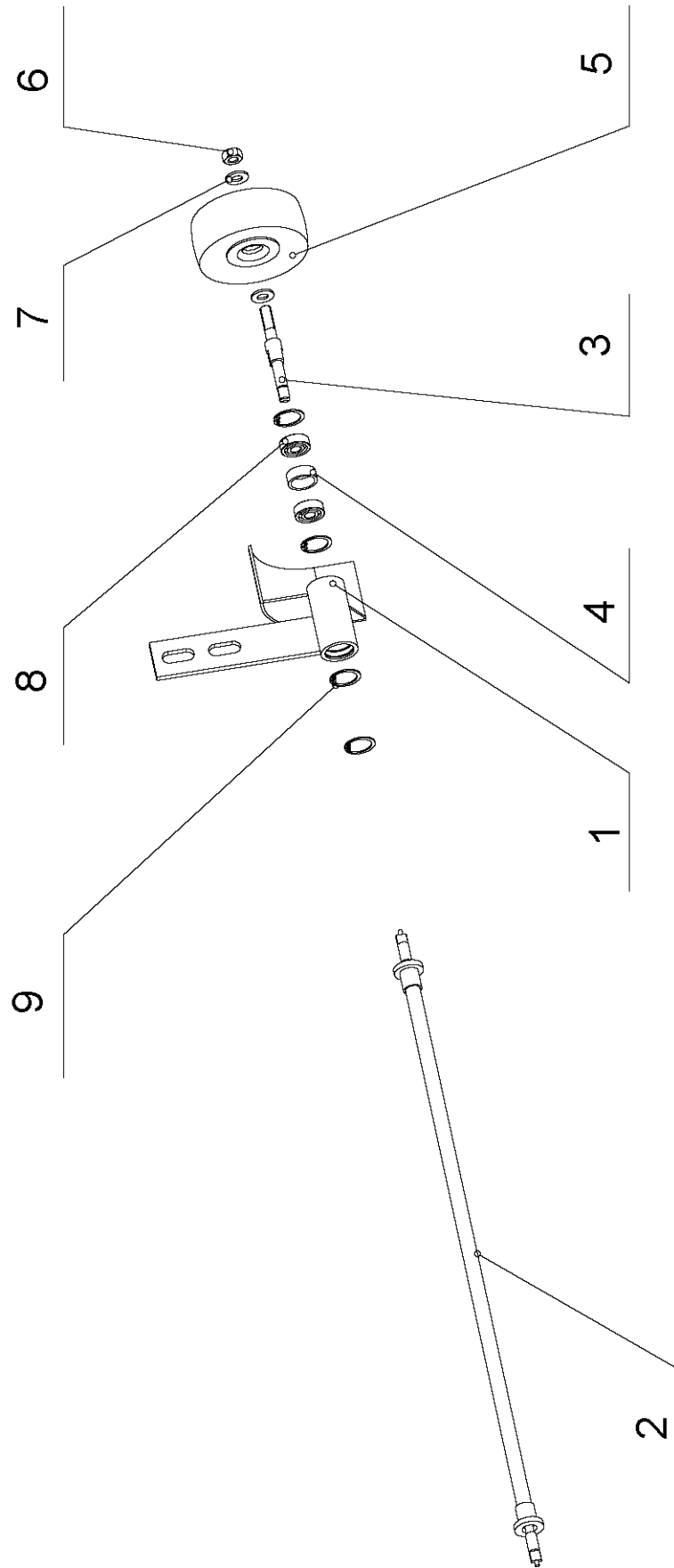
### 25.8. Pravá vodící kostka / Rechter Führungsklotz / Right guiding cube

Poz.	Objednací číslo	Název položky	ks
Pos.	Bestell - Nr.	Bezeichnung	Menge
Pos.	Reference No.	Item	Pcs.
1	30.0810-005	Držák tvrdokovu / HM-Halter / HM holder	2
2	30.0810-007	Trubka ložiska / Lagerrohr / Bearing tube	1
3	30.0810-009	Excentr / Exzenter / Excenter	1
4	30.0810-010	Excentr / Exzenter / Excenter	1
5	30.0810-103	Deska vodící / Führungsplatte / Guiding plate	1
6	30.0810-104	Šroub / Schraube / Screw	1
7	30.1810-101	Kostka vodící pravá / Rechter Führungsklotz / Right guiding cube	1
8	30.1810-102	Držák ložiska pravý / Rechter Lagerhalter / Right bearing holder	1
9	90.001.25.029	Šroub / Schraube / Screw M8x12 DIN 912 8.8	2
10	90.004.2D.002	Šroub / Schraube / Screw M6x12 DIN 915 45H	1
11	90.005.55.017	Šroub / Schraube / Screw M8x30 DIN 933 8.8	1
12	90.011.27.022	Šroub / Schraube / Screw M5x16 DIN 7991 10.9	2
13	90.100.55.005	Maticice / Mutter / Nut M8 DIN 934 8.8	1
14	90.100.55.006	Maticice / Mutter / Nut M10 DIN 934 8.8	2
15	90.150.50.006	Podložka / Scheibe / Washer Ø10,5 DIN 125	3
16	90.301.0Z.009	Válcový kolík / Zylinderstift / Cylindrical pin 10x26 DIN 7	1
17	90.350.0Z.001	Talířová pružina / Tellerfeder / Belleville spring 12.5x6.2x0.5	32
18	95.001.004	Ložisko / Lager / Bearing 6000 2RS	1
19	95.001.014	Ložisko / Lager / Bearing 6200 2RS	2



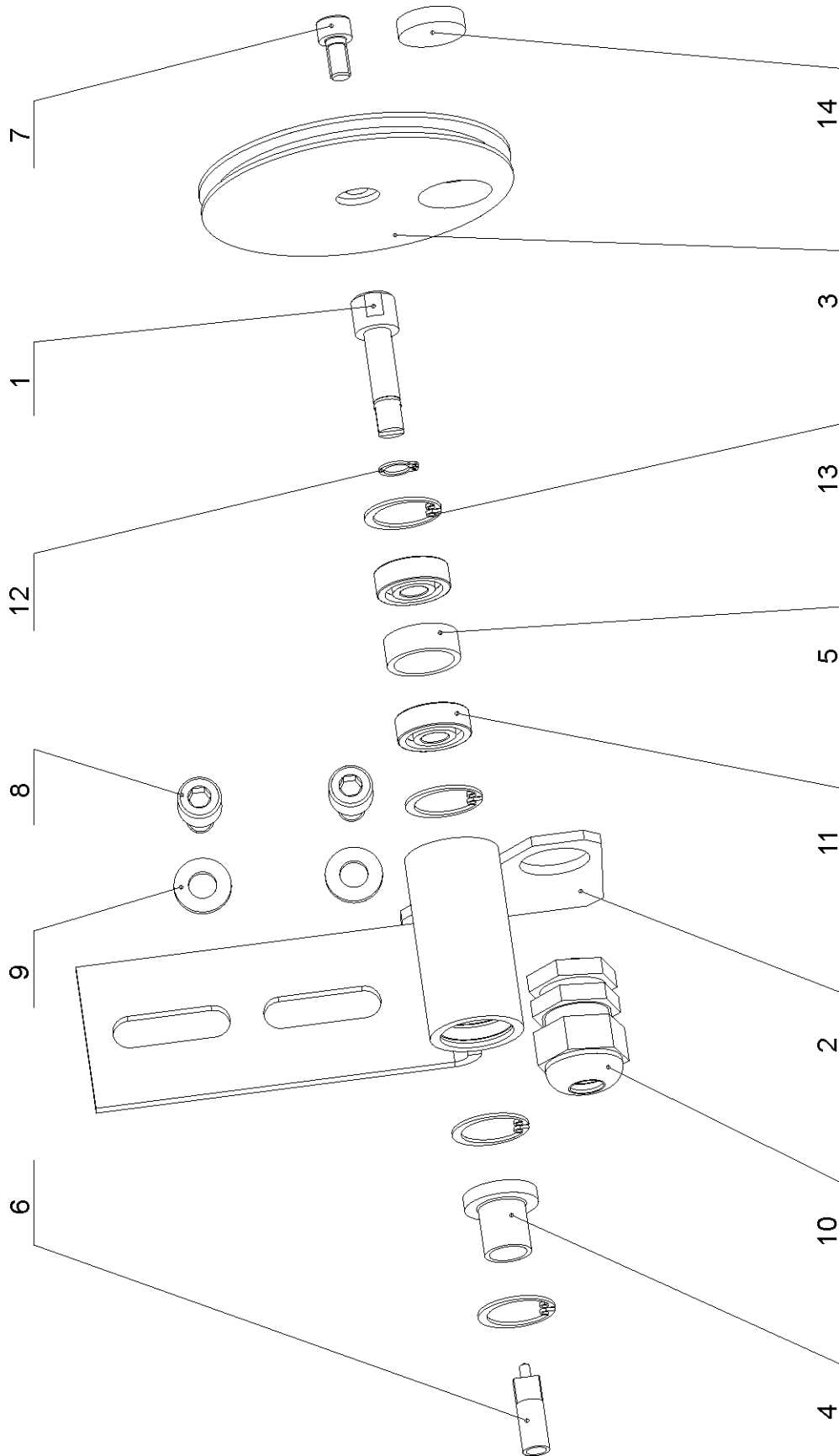
### 25.9. Levá vodící kostka / Linker Führungsklotz / Left guiding cube

Poz.	Objednací číslo	Název položky	ks
Pos.	Bestell - Nr.	Bezeichnung	Menge
Pos.	Reference No.	Item	Pcs.
1	30.0810-005	Držák tvrdokovu / HM-Halter / HM holder	2
2	30.0810-007	Trubka ložiska / Lagerrohr / Bearing tube	1
3	30.0810-009	Excentr / Exzenter / Excentric	1
4	30.0810-010	Excentr / Exzenter / Excentric	1
5	30.0810-101	Levá vodící kostka / Linker Führungsklotz / Left guiding cube	1
6	30.0810-103	Vodící deska / Führungsplatte / Guiding plate	1
7	30.0810-104	Šroub / Schraube / Screw	1
8	90.001.25.032	Šroub / Schraube / Screw M8x20 DIN 912 8.8	2
9	90.002.2D.016	Šroub / Schraube / Screw M12x10 DIN 913 45H	1
10	90.011.27.027	Šroub / Schraube / Screw M8x20 DIN 7991 10.9	2
11	90.100.55.006	Matice / Mutter / Nut M10 DIN 934 8.8	2
12	90.150.50.006	Podložka / Scheibe / Washer Ø10,5 DIN 125	5
13	90.301.0Z.009	Válcový kolík / Zylinderstift / Cylindrical pin 10x26 DIN 7	1
14	90.350.0Z.001	Talířová pružina / Tellerfeder / Belleville spring 12.5x6.2x0.5	32
15	95.001.014	Ložisko / Lager / Bearing 6200 2RS	3



**25.10. Kartáček / Spänbürste / Brush**

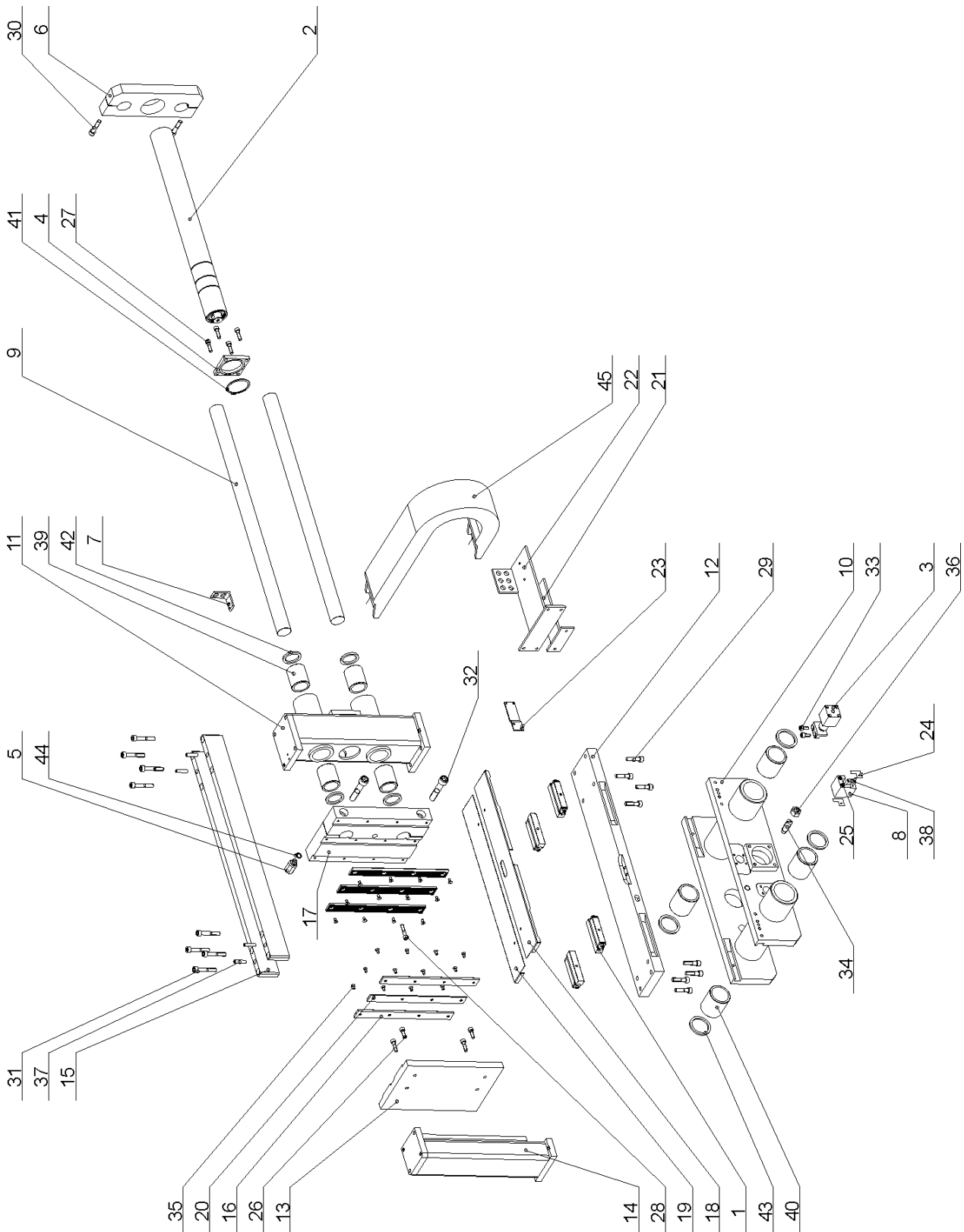
Poz.	Objednací číslo	Název položky	ks
Pos.	Bestell - Nr.	Bezeichnung	Menge
Pos.	Reference No.	Item	Pcs.
1	30.2914-301	Držák kartáčku / Bürstenhalter / Brush holder	1
2	30.3414-302	Hřídel náhonu / Antriebswelle / Drive shaft	1
3	30.4314-002	Hřídel kartáčku / Bürstenwelle / Brush shaft	1
4	30.4314-004	Distanční kroužek / Distanzring / Distance ring	1
5	49.250.006	Kartáček / Spänebürste / Brush	1
6	90.100.55.005	Matice / Mutter / Nut M8 DIN 934	1
7	90.150.50.005	Podložka / Scheibe / Washer d8,4 DIN 125	2
8	95.001.001	Ložisko / Lager / Bearing 608 2RS	2
9	95.801.019	Pojistný kroužek / Sicherungsring / Retaining ring d22 DIN 472	4



**25.11. Řemenice kartáčku / Bürstenriemenscheibe / Brush band-wheel**



Poz.	Objednací číslo	Název položky	ks
Pos.	Bestell - Nr.	Bezeichnung	Menge
Pos.	Reference No.	Item	Pcs.
1	30.2914-107	Hřídel / Welle / Shaft	1
2	30.2914-402	Držák / Halter / Holder	1
3	30.2914-404	Řemenice / Riemenscheibe / Band-wheel	1
4	30.4314-003	Pouzdro / Buchse / Bush	1
5	30.4314-004	Distanční kroužek / Distanzring / Distance ring	1
6	30.4314-006	Koncovka / Endstück / End piece	1
7	90.001.25.016	Šroub / Schraube / Screw M6x12 DIN 912	1
8	90.001.25.029	Šroub / Schraube / Screw M8x12 DIN 912	2
9	90.150.50.005	Podložka / Scheibe / Washer Ø8,4 DIN 125	2
10	91.070.004	Vývodka / Ausführung / Bushing	1
11	95.001.001	Ložisko / Lager / Bearing 608 2RS	2
12	95.800.002	Pojistný kroužek / Sicherungsring / Retaining ring Ø8 DIN 471	1
13	95.801.019	Pojistný kroužek / Sicherungsring / Retaining ring Ø22 DIN 472	4
14	99.060.002	Magnet / Magnet / Magnet 22x8	1

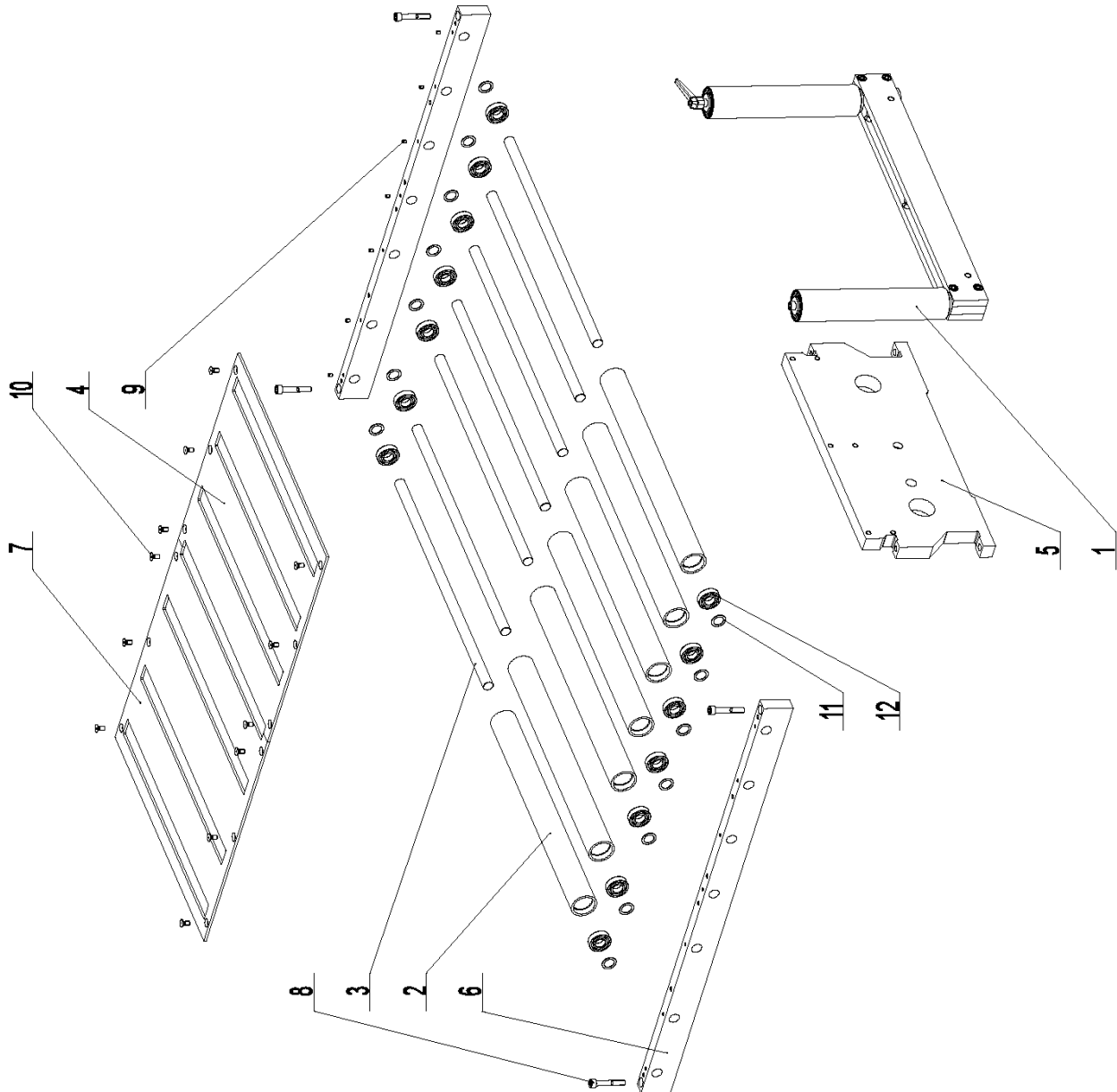


## 25.12. Podávací svěrák / Vorschubschraubstock / Feeding vice

Poz.	Objednáací číslo	Název položky	ks
Pos.	Bestell - Nr.	Bezeichnung	Menge
Pos.	Reference No.	Item	Pcs.
1	Viz. Výkres / Siehe Zeichnung / See drawing	Válečkový element / Element / Cylindrical element	4
2	Viz. Výkres / Siehe Zeichnung / See drawing	Válec / Zylinder / Cylinder	1
3	Viz. Výkres / Siehe Zeichnung / See drawing	Fixační válec / Spannzylinder / Fixative cylinder	1
4	30.2011-010	Příložka / Lasche / Splice plate	1
5	30.2011-011	Šroubení / Schraubung / Screwing	1
6	30.2011-013	Brýle / Spanneisen / Glasses	1
7	30.2014-011	Držák hadice / Schlauchhalter / Hose holder	1
8	30.2014-023	Držák snímače / Halter / Sensor holder	1
9	30.2903-004	Vodící tyč / Führungsstange / Guiding bar	2
10	30.2911-001	Základna / Grundlage / Base	1
11	30.2911-002	Sloup / Säule / Pillar	1
12	30.2911-003	Základna / Grundlage / Base	1
13	30.2911-004	Čelist / Backe / Jaw	1
14	30.2911-007	Sloup / Säule / Pillar	1
15	30.2911-010	Lišta / Leiste / Listel	2
16	30.2911-021	Lišta / Leiste / Listel	4
17	30.2911-022	Čelist / Backe / Jaw	1
18	30.2911-023	Kryt / Deckel / Cover	1
19	30.2911-024	Kryt / Deckel / Cover	1
20	30.2911-025	Lišta / Leiste / Listel	2
21	30.2911-026	Konzola / Konsole / Console	1
22	30.2911-027	Konzola / Konsole / Console	1
23	30.2911-028	Držák koncového spínače / Endschalterhalter / Limit switch holder	1
24	30.3511-013	Stěrač / Abstreifer / Scraper	2
25	90.001.25.023	Šroub / Schraube / Screw M6x50 DIN 912	2
26	90.001.25.033	Šroub / Schraube / Screw M8x25 DIN 912	2
27	90.001.25.034	Šroub / Schraube / Screw M8x30 DIN 912	6
28	90.001.25.036	Šroub / Schraube / Screw M8x40 DIN 912	1
29	90.001.25.050	Šroub / Schraube / Screw M10x40 DIN 912	8
30	90.001.25.052	Šroub / Schraube / Screw M10x50 DIN 912	2
31	90.001.25.054	Šroub / Schraube / Screw M10x60 DIN 912	8
32	90.001.25.098	Šroub / Schraube / Screw M16x80 DIN 912	2
33	90.001.25.XXX	Šroub / Schraube / Screw M8x18 DIN 912	2
34	90.004.2D.0XX	Šroub / Schraube / Screw M16x40 DIN 915	1
35	90.011.27.005	Šroub / Schraube / Screw M6x12 DIN 7991	24
36	90.100.55.008	Matice / Mutter / Nut M16 DIN 934	1
37	90.302.0Z.003	Kuželový kolík+závit / Kegelbolzen+Gewinde / Taper pin + thread M8x36 DIN 7978	4
38	91.270.004	Magnetický senzor / Magn. Meßgeber / Magnetic sensor SIKO	1
39	95.710.001	Kuličkové pouzdro / Kugelbuchse / Ball bush 40x60 KH	4
40	95.710.002	Kuličkové pouzdro / Kugelbuchse / Ball bush 50x70	4
41	95.800.021	Pojistný kroužek / Sicherungsring / Retaining ring Ø62 DIN 471	1
42	96.040.003	Stírací manžeta / Abstreifmanschette / Sleeve 40x52x5	4

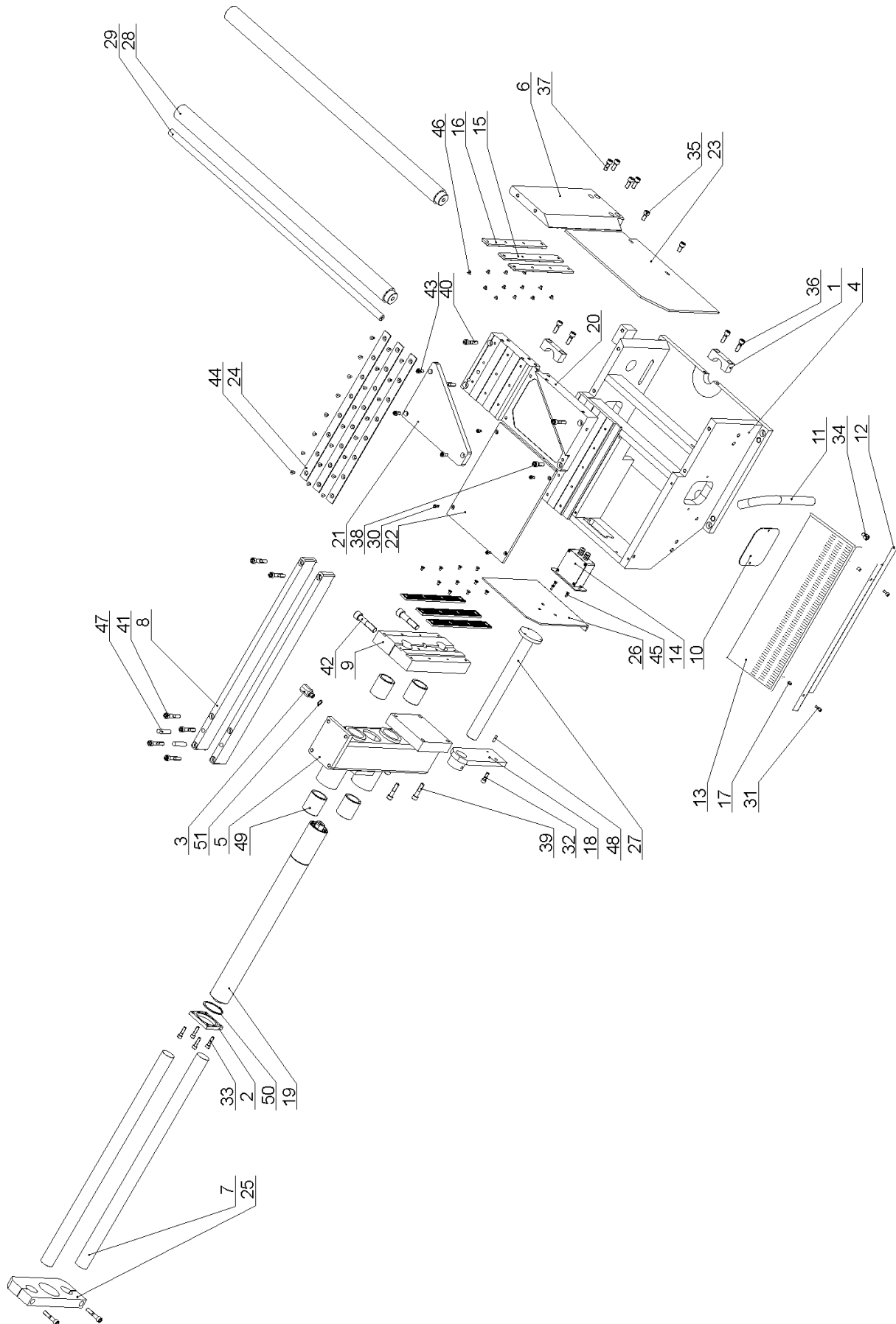
43	96.040.004	Stírací manžeta / Abstreifmanschette / Sleeve	50x62x5	4
44	96.082.002	Těsnící kroužek / Dichtungsring / Sealing ring Cu	13/17	1
45	99.170.001	Řetěz energií / Energiekette / Hydr. pipes leading		1





**25.13. Válečková trať / Rollenbahn / Roller conveyor**

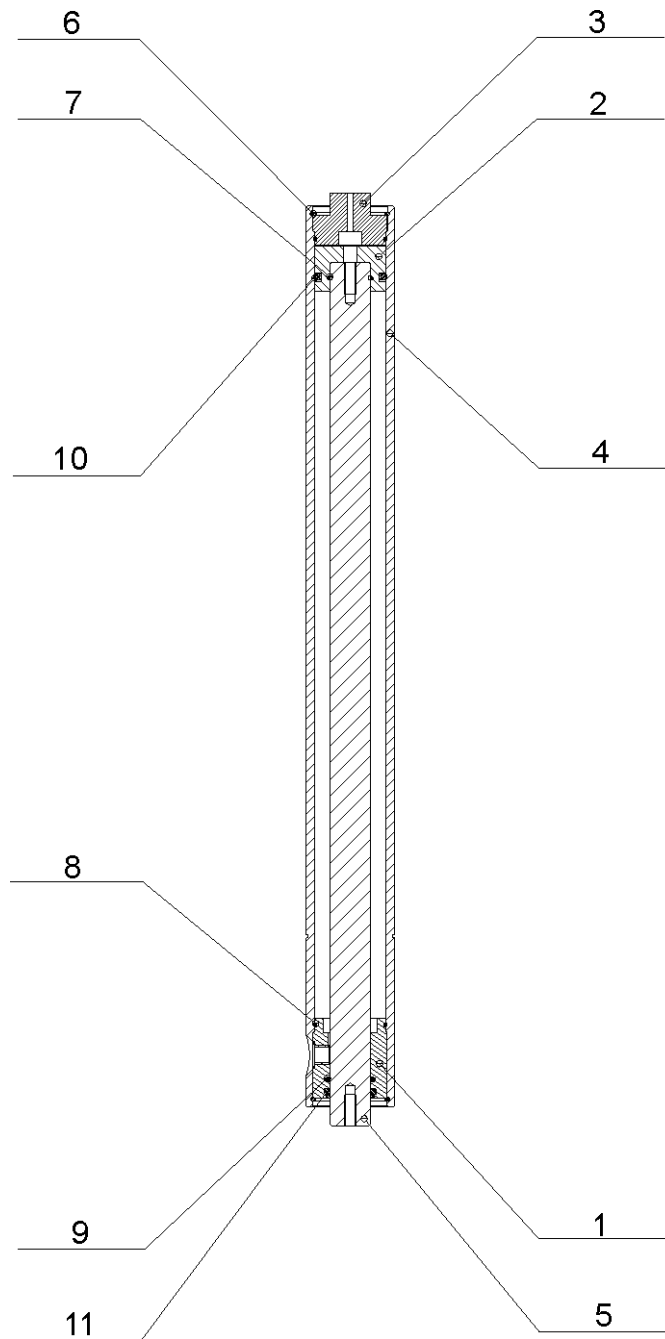
Poz.	Objednací číslo	Název položky	ks
Pos.	Bestell - Nr.	Bezeichnung	Menge
Pos.	Reference No.	Item	Pcs.
1	201.2911-600	Vertikální válečky / Vertikalrollen / Vertical rollers	1
2	30.2911-102	Válec / Zylinder / Cylinder	7
3	30.2911-103	Tyč / Stange / Bar	7
4	30.2911-105	Rošt / Gitter / Hake	1
5	30.2911-106	Čelo / Stirn / Forehead	1
6	30.2911-301	Lišta / Leiste / Listel	2
7	30.2911-308	Rošt / Gitter / Hake	1
8	90.001.25.054	Šroub / Schraube / Screw M10x60 DIN 912	4
9	90.002.2D.029	Šroub / Schraube / Screw M6x8 DIN 913	7
10	90.011.27.012	Šroub / Schraube / Screw M8x16 DIN 7991	12
11	90.154.50.011	Podložka / Scheibe / Washer Ø20x28x1 DIN 988	14
12	95.001.007	Ložisko / Lager / Bearing 6004 2RS	14



### 25.14. Hlavní svěrák / Hauptschraubstock / Main vice

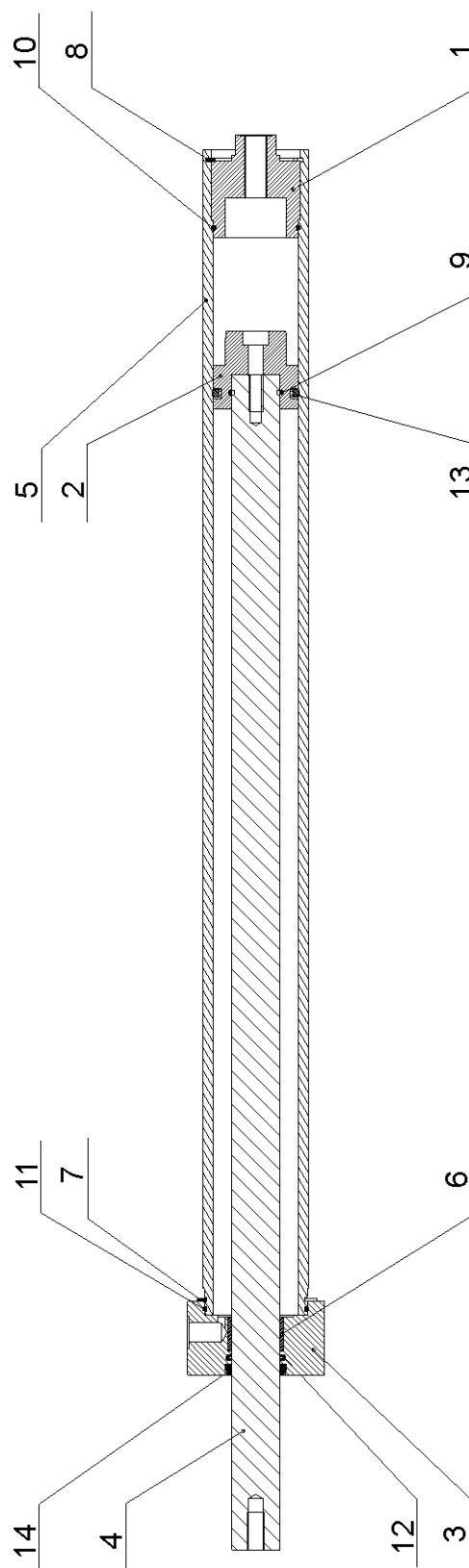


Poz.	Objednací číslo	Název položky	ks
Pos.	Bestell - Nr.	Bezeichnung	Menge
Pos.	Reference No.	Item	Pcs.
1	30.0809-010	Příložka / Lasche / Splice plate	2
2	30.2011-010	Příložka / Lasche / Splice plate	1
3	30.2011-011	Šroubení / Schraubung / Screwing	1
4	30.2903-001	Podstavec / Untergestell / Pedestal	1
5	30.2903-002	Sloup / Säule / Pillar	1
6	30.2903-003	Čelist / Backe / Jaw	1
7	30.2903-004	Vodící tyč / Führungsstange / Guiding bar	2
8	30.2903-005	Lišta / Leistel / Listel	2
9	30.2903-006	Čelist / Backe / Jaw	1
10	30.2903-007	Kryt / Deckel / Cover	1
11	30.2903-008	Trubka / Rohr / Tube	1
12	30.2903-011	Skluz / Rutsche / Glide	1
13	30.2903-012	Držák / Halter / Holder	1
14	30.2903-100	Displej / Display / Display	1
15	30.2911-021	Lišta / Leistel / Listel	4
16	30.2911-025	Lišta / Leistel / Listel	2
17	30.3509-015	Distanční trubka / Distanzrohr / Distance tube	2
18	30.3514-502	Konzola / Konsole / Console	1
19	30.3707-000	Válec / Zylinder / Cylinder	1
20	30.3709-002	Deska / Platte / Plate	1
21	30.3709-003	Výměnná deska / Platte / Exchangeable plate	1
22	30.3709-007	Kryt svěráku / Schraubstockabdeckung / Vice cover	1
23	30.3709-009	Čelist pomocná / Hilfsbacke / Auxiliary vice jaw	1
24	30.3709-014	Třecí lišta / Bremsleiste / Friction reglet	3
25	30.3709-016	Brýle / Spanneisen / Glasses	1
26	30.3714-401	Čelist pomocná / Hilfsbacke / Auxiliary vice jaw	1
27	30.3714-402	Vedení čelisti / Führung / Jaw guiding	1
28	30.4303-018	Tyč vodící / Führungsstange / Guiding bar	2
29	30.4303-021	Tyč odměřování / Abmessungsstange / Measuring bar	1
30	90.001.25.016	Šroub / Schraube / Screw M6x12 DIN 912	4
31	90.001.25.017	Šroub / Schraube / Screw M6x16 DIN 912	2
32	90.001.25.033	Šroub / Schraube / Screw M8x25 DIN 912	1
33	90.001.25.034	Šroub / Schraube / Screw M8x30 DIN 912	4
34	90.001.25.043	Šroub / Schraube / Screw M10x12 DIN 912	2
35	90.001.25.046	Šroub / Schraube / Screw M10x20 DIN 912	2
36	90.001.25.047	Šroub / Schraube / Screw M10x25 DIN 912	4
37	90.001.25.048	Šroub / Schraube / Screw M10x30 DIN 912	4
38	90.001.25.049	Šroub / Schraube / Screw M10x35 DIN 912	1
39	90.001.25.051	Šroub / Schraube / Screw M10x45 DIN 912	4
40	90.001.25.052	Šroub / Schraube / Screw M10x50 DIN 912	5
41	90.001.25.054	Šroub / Schraube / Screw M10x60 DIN 912	6
42	90.001.25.098	Šroub / Schraube / Screw M16x80 DIN 912 8.8	2
43	90.001.25.105	Šroub / Schraube / Screw M8x18 DIN 912	3
44	90.011.27.004	Šroub / Schraube / Screw M6x10 DIN 7991	36
45	90.011.27.031	Šroub / Schraube / Screw M5x14 DIN 7991	3
46	90.011.27.032	Šroub / Schraube / Screw M6x8 DIN 7991	12
47	90.300.0Z.020	Válcový kolík / Zylinderstift / Cylindrical pin 12x60 DIN 6325	2
48	90.300.0Z.021	Válcový kolík / Zylinderstift / Cylindrical pin 6x22 DIN 6325	1
49	95.710.001	Kuličkové pouzdro / Kugelbuchse / Bush ball 40x60	1
50	95.800.021	Pojistný kroužek / Sicherungsring / Retaining ring Ø62 DIN 471	1
51	96.082.002	Těsnící kroužek / Dichtungsring / Sealing ring 13/17	4



**25.15. Upínací válec / Spannzyylinder / Clamping cylinder - 251.076**

Poz.	Objednací číslo	Název položky	ks
Pos.	Bestell - Nr.	Bezeichnung	Menge
Pos.	Reference No.	Item	Pcs.
1	30.1807-104	Přívod / Zufuhr / Inflow	
2	30.2007-302	Píst / Kolben / Piston	
3	30.2007-304	Víko / Deckel / Cover	
4	30.6007-101	Válec svěraku / Zylinder / Vice cylinder	
5	30.6007-105	Pístnice / Kolbenstange / Piston rod	
6	95.801.009	Pojistný kroužek / Sicherungsring / Retaining ring Ø52 DIN 472	2
7	96.001.007	O kroužek / O Ring / O Ring 25x2	1
8	96.001.013	O kroužek / O Ring / O Ring 45x2	2
9	96.002.014	O kroužek / O Ring / O Ring 28x3	1
10	96.020.005	Q kroužek / Q Ring / Q Ring	1
11	96.060.003	Stírací kroužek / Abstreifring / Wiping ring 28x36	1



**25.16. Válec podavače / Vorschubzylinder / Feeding cylinder - 251.075**

Poz.	Objednáací číslo	Název položky	ks
Pos.	Bestell - Nr.	Bezeichnung	Menge
Pos.	Reference No.	Item	Pcs.
1	30.1807-103	Víko / Deckel / Cover	1
2	30.1807-105	Píst / Kolben / Piston	1
3	30.2007-101	Víko / Deckel / Cover	1
4	30.2007-105	Pístnice / Kolbenstange / Piston rod	1
5	30.3507-101	Válec / Zylinder / Cylinder	1
6	95.700.005	Pouzdro / Buchse / Bush KU 28x20	1
7	95.800.020	Pojistný kroužek / Sicherungsring / Retaining ring Ø60 DIN 471	1
8	95.801.029	Pojistný kroužek / Sicherungsring / Retaining ring Ø55 DIN 472	1
9	96.001.007	O kroužek / O Ring / O Ring 25x2	1
10	96.001.013	O kroužek / O Ring / O Ring 45x2	1
11	96.001.014	O kroužek / O Ring / O Ring 55x2	1
12	96.002.014	O kroužek / O Ring / O Ring 28x3	1
13	96.020.005	Q kroužek / Q Ring / Q Ring	1
14	96.060.003	Stírací kroužek / Abstreifring / Wiping ring 28x36	1

